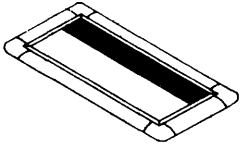


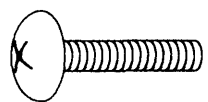
23 Ceiling mounted built-in type [FXYS]

23.1 Decoration panel — BYBS32D-W2 · 45D-W2 · 71D-W2 · 125D-W2

① Check of the parts

- The box contains this manual and the parts listed below.

Item	Description	Quantity
Decoration panel		1 set

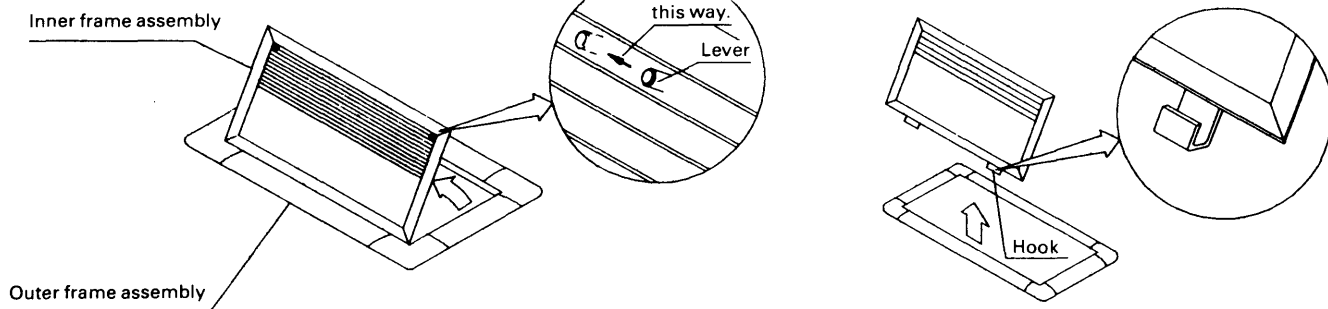
Item	Description	Quantity
Decoration panel fixing screw	 M5 × 40	4 pcs.

② Preparing the decoration panel

- Handle the suction panel with care.

< Never lean the panel against a wall, etc. nor leave it on a projecting object. (For preventions of dents or damages to the panel surface.) >

Remove the inner frame assembly.



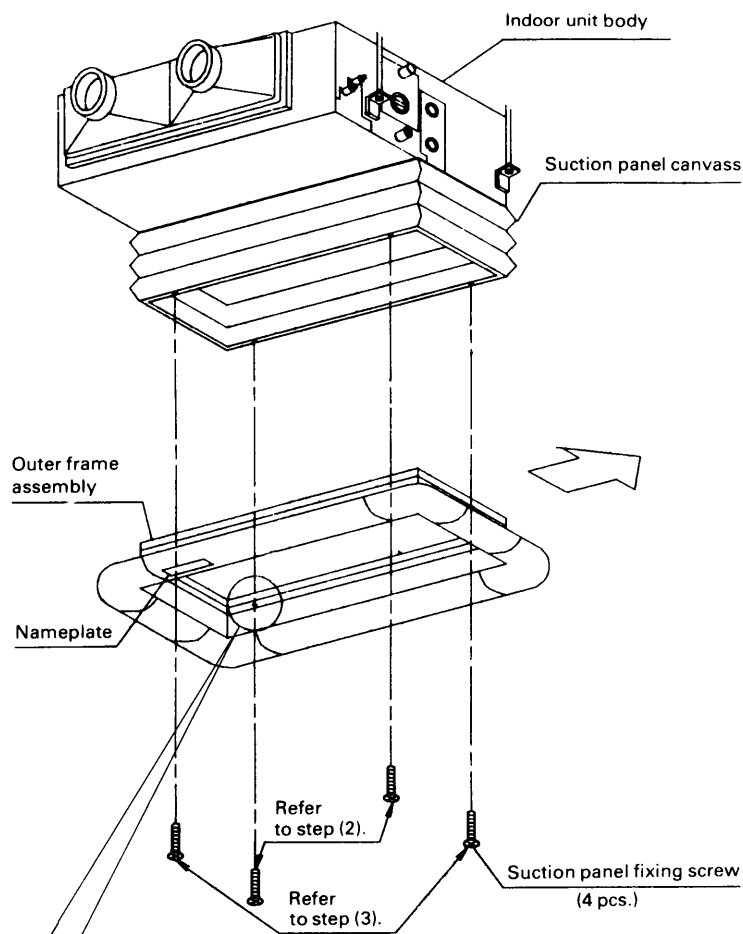
- Slide the inner frame assembly's lever and pull up the inner frame assembly.
- Unhook the inner frame assembly off the hook holes.

③ Installing the outer frame assembly

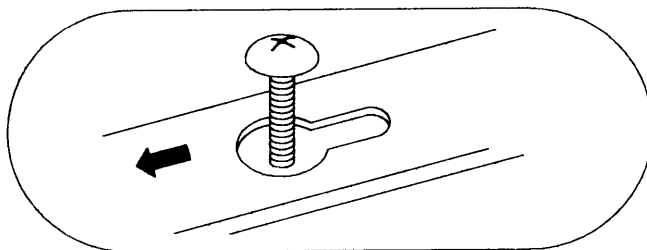
- This decoration panel can be installed to the air-conditioner body either directly or using a canvas for decoration panel (optional).

1. For installation using the decoration panel canvas

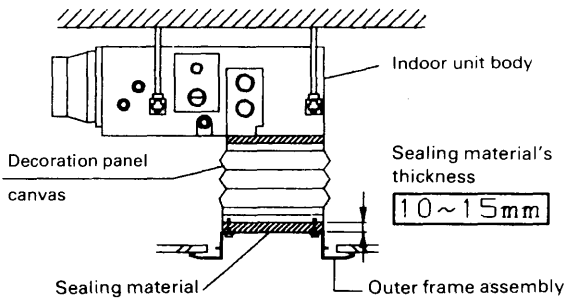
<Read also the instruction manual accompanying the decoration panel canvas.>



- (1) Install the decoration panel canvas to the indoor unit body. (Make the tightening length of the screws about 10 mm.)
- (2) Mount two suction decoration panel fixing screws to the decoration panel canvas and temporarily tighten them.
- (3) Move the outer frame assembly in the direction of the arrow to rest it on the two screws temporarily.



- (4) Mount the rest two screws to the suction panel canvas and tighten all the four screws securely until the sealing material becomes 10 to 15 mm thick.

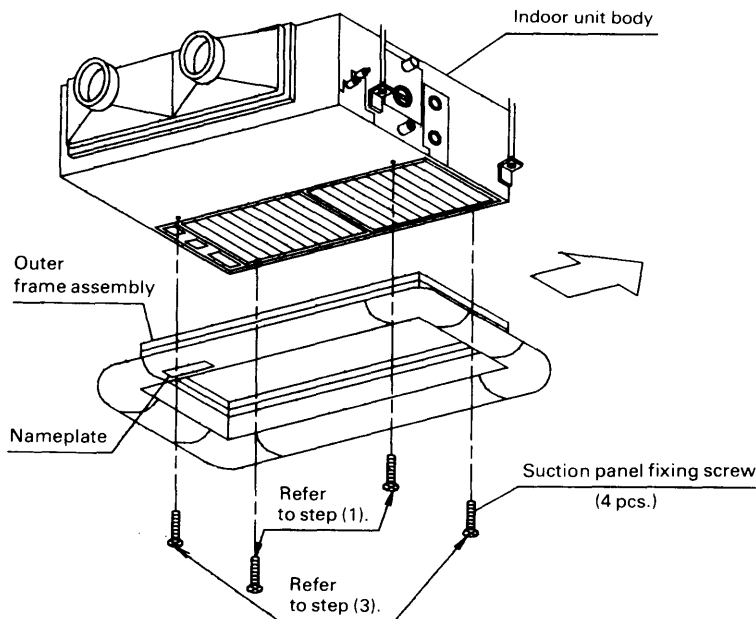


Tighten the fixing screws until the sealing material becomes 10 to 15 mm thick.

- (5) Use the chain and turnbuckle supplied for the decoration panel canvas to make no gap between the canvas and the ceiling

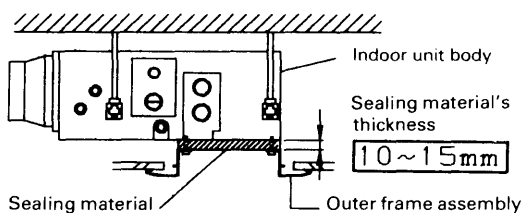
< Install the suction panel to the indoor unit body in the correct direction with the nameplate on the panel coming to the position shown in the left figure. >

2. For direct installation



- (1) Mount two decoration panel fixing screws to the indoor unit body and tighten them temporarily. (Make the tightening length of the screws about 10 mm.)
- (2) Move the outer frame assembly in the direction of the arrow to rest it on the two screws temporarily.
- (3) Install the outer frame assembly by following the steps (3) and (4) in "1. For installation using the decoration panel canvas".

Note: In case there is a gap between the decoration panel and the ceiling, adjust the height of the indoor unit. (Refer to the indoor unit installation manual.)

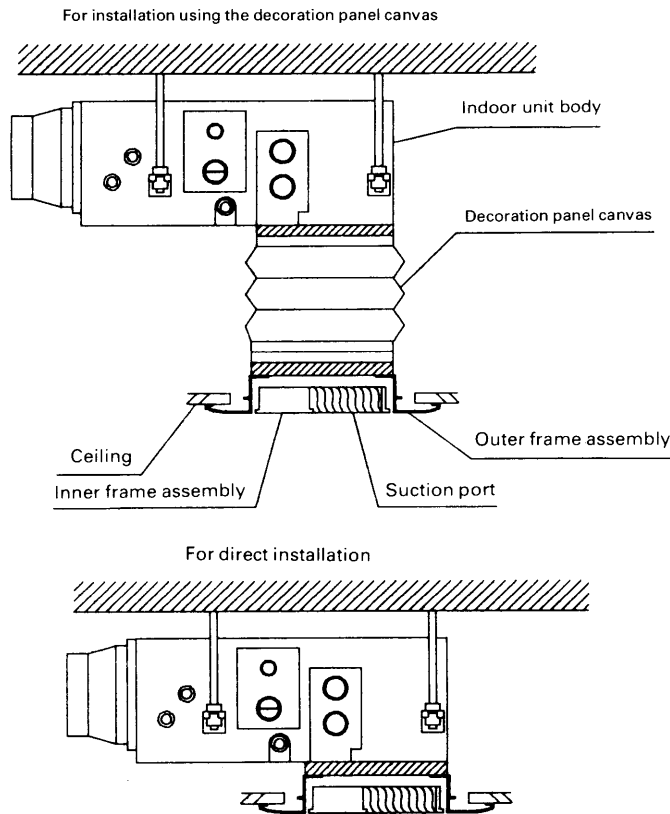


Tighten the fixing screws until the sealing material becomes 10 to 15 mm thick.

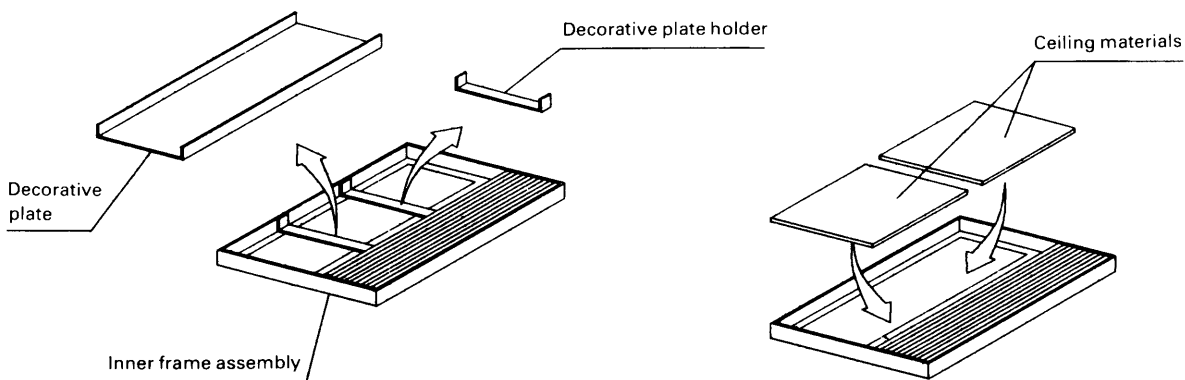
< Install the decoration panel to the indoor unit body in the correct direction with the nameplate on the panel coming to the position shown in the left figure. >

④ Installing the inner frame assembly

- Install the inner frame assembly to the outer frame assembly by following the reverse steps mentioned in "2. Preparing the decoration panel".



< Ceiling materials can be attached to the inner frame assembly. For their installation, take the following steps. >



- (1) Remove the decorative plate holder from the inner frame assembly.
- (2) Remove the decorative plate and place the ceiling materials instead.
- (3) Using the decorative panel holder removed in the step (1), fix the ceiling material.

Note:

Installation of the ceiling materials makes the decorative panel unnecessary. Make the ceiling materials less than 15 mm thick.