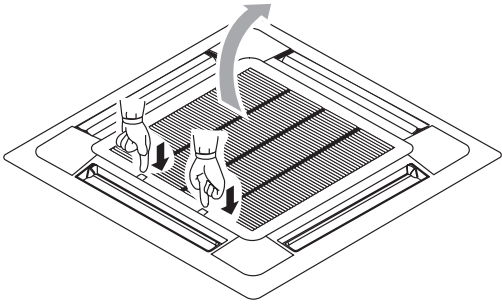




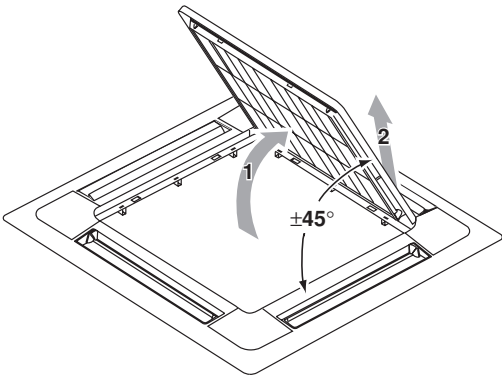
# INSTALLATION MANUAL

## Decoration panel

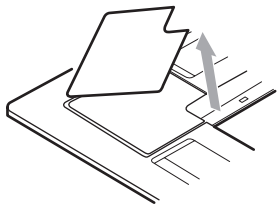
BYC125K7W1B



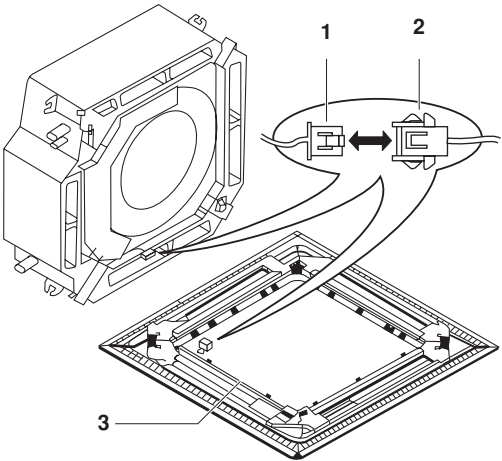
1



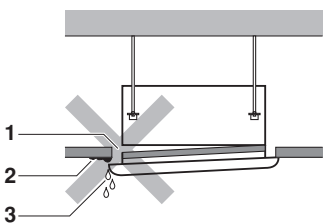
2



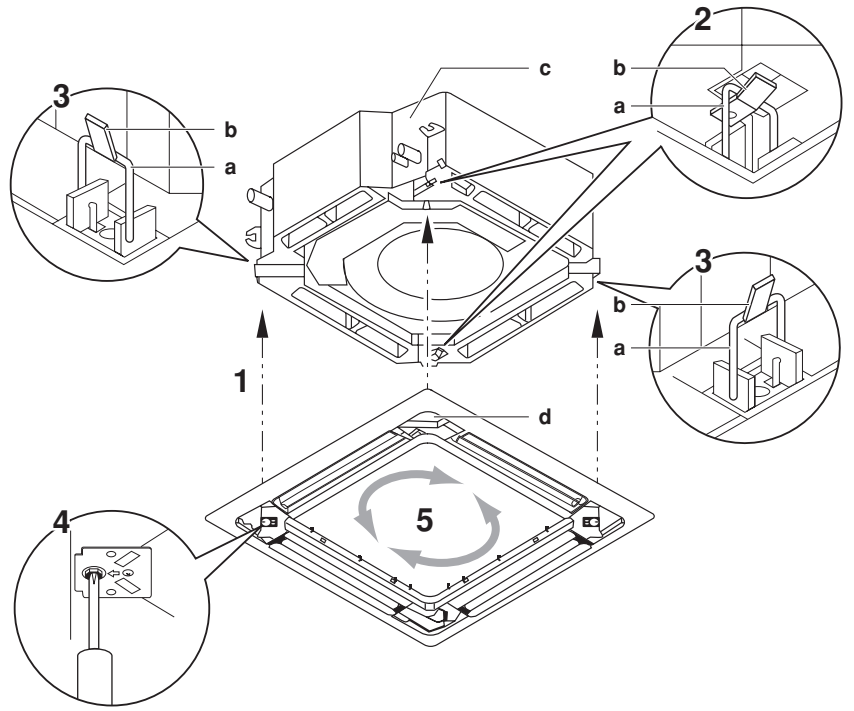
3



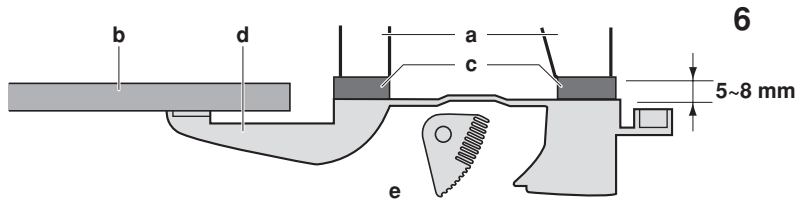
6



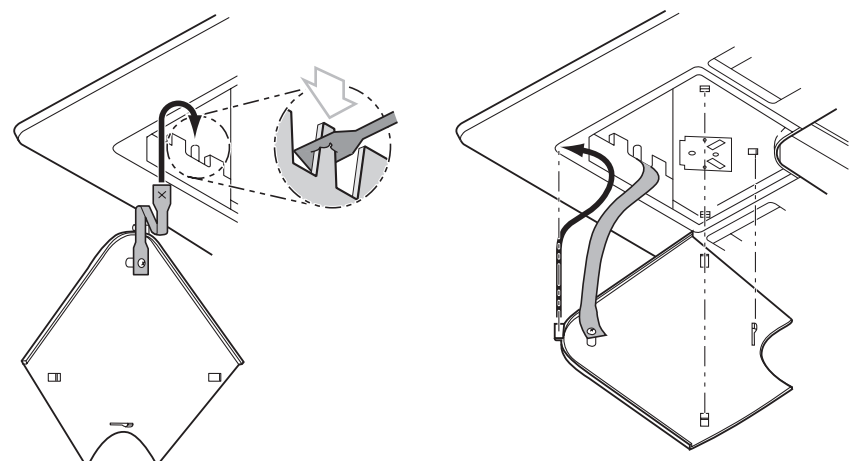
8



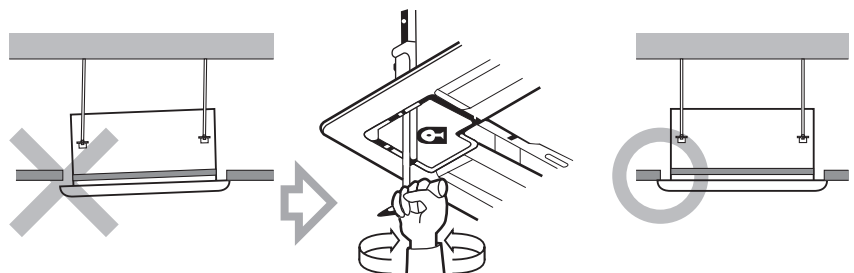
4



5



7



9



Read this manual attentively before installation. Do not throw it away. Keep it in your files for future reference.

Improper installation or attachment of equipment or accessories could result in electric shock, short-circuit, leaks, fire or other damage to the equipment. Be sure only to use accessories made by Daikin which are specifically designed for the use with the equipment and have them installed by a professional.

If unsure of installation procedures or use, always contact your Daikin dealer for advice and information.

## BEFORE INSTALLATION

- Leave the unit inside its packaging until you reach the installation site.
- Refer to the warning symbols on the decoration panel.



### Rotary fan



Cut off the main power before opening the grille.

- Refer to the installation manual of the indoor unit for items not described in this manual.

#### NOTE

#### To the installer



Be sure to instruct the customer how to properly operate the system showing him or her the operation manual of the indoor unit.

## PREPARATION BEFORE INSTALLATION

For this unit, you are able to select air flow directions. To discharge air in 2 or 3 directions, it is necessary to purchase the optional blocking pad kit.

### Handling of the decoration panel

To prevent any damage to the decoration panel, take care of the following:

- Never place the panel facing down.
- Never let the panel lean against a wall.
- Never touch or put pressure on the swing flap in order to prevent malfunction of the swing flap.

### Preparing the decoration panel for installation

- 1 Remove the suction grille from the decoration panel.
  - Push the suction grille lever inward and open the grille. (See figure 1)
  - Detach the suction grille from the decoration panel by lifting the grille up approximately 45 degrees until the position is reached on which removal of the grille is possible. (See figure 2)
- 2 Remove the service cover on each corner.
 

Slide the service cover outward to remove it. (See figure 3)

## INSTALLATION OF THE DECORATION PANEL TO THE INDOOR UNIT

Refer to the installation manual of the indoor unit for details on installing the indoor unit.

- 1 Install the decoration panel (See figure 4)
  - 1 Set the decoration panel to the indoor unit by matching the corner of the the swing flap motor to the corner of the indoor unit piping as shown in figure 4.
 

a	Latch
b	Hook
c	Corner of the indoor unit piping
d	Corner of the swing flap motor
  - 2 Temporarily install the decoration panel to the indoor unit by hanging the latch on the opposite side of the decoration panels swing flap motor and the latch on the side of the swing flap motor itself into the hooks of the indoor unit body.
  - 3 Temporarily hang the 2 remaining latches into the hooks on the sides of the indoor unit.
 

Make sure that the swing flap motor lead wire is not caught between the indoor unit and the decoration panel.
  - 4 Screw all 4 hexagon head screws located right beneath the latches in for approximately 5 mm. The panel will rise.
  - 5 Adjust the decoration panel by turning it in the direction indicated by the arrows on the figure so that the ceiling opening is completely covered.
  - 6 Tighten the screws until the thickness of the sealing material between the decoration panel and the indoor unit reduces to 5~8 mm. (See figure 5)

- |   |                  |
|---|------------------|
| a | Indoor unit      |
| b | Ceiling          |
| c | Sealing material |
| d | Decoration panel |
| e | Air outlet       |

- 2 Wiring of the decoration panel (See figure 6)
 

Connect the connectors for the swing flap motor lead wire.

- |   |  |
|---|--|
| 1 | Connector of the indoor unit                       |
| 2 | Connector of the decoration panel swing flap motor |
| 3 | Swing flap motor lead wire                         |



- Make sure that the swing flap motor lead wire is not caught between the indoor unit and the decoration panel.
- If the connectors are not connected properly, the A7 malfunction code displays on the remote controller.

### Precautions

- Improper tightening of the screws (see figure 8) may cause air to leak into the unit and between the ceiling and the decoration panel (1) resulting in formation of contamination (2) and dew (3).
- If there is a gap remaining between the ceiling and the decoration panel after tightening the screws, re-adjust the indoor unit body height (see figure 9). Adjustment of the indoor unit body height is possible through the holes in the corners of the decoration panel. The indoor unit must be kept levelled and the drain piping kept unaffected.

## INSTALLATION OF THE SUCTION GRILLE AND THE SERVICE COVER

## NOTES

### Install the suction grille

Install the suction grille by reversing the procedure shown in paragraph "[Preparing the decoration panel for installation](#)" on page 1.

- It is possible to install the suction grille in 4 directions by simply turning it 90 degrees.
- Change the direction when adjusting the direction of the suction grille of multiple units or to comply with demands of the customer.

### Install the service cover

(See figure 7)

- 1 Attach the string of each service cover to the pin of the decoration panel.

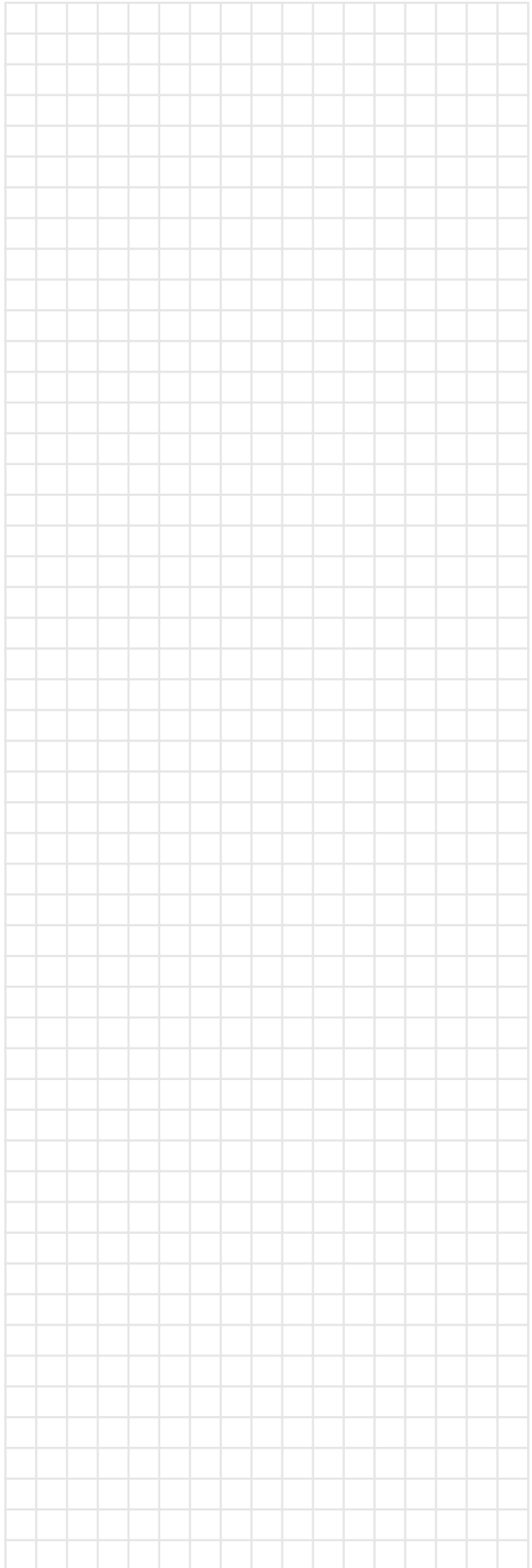
---

**NOTE**

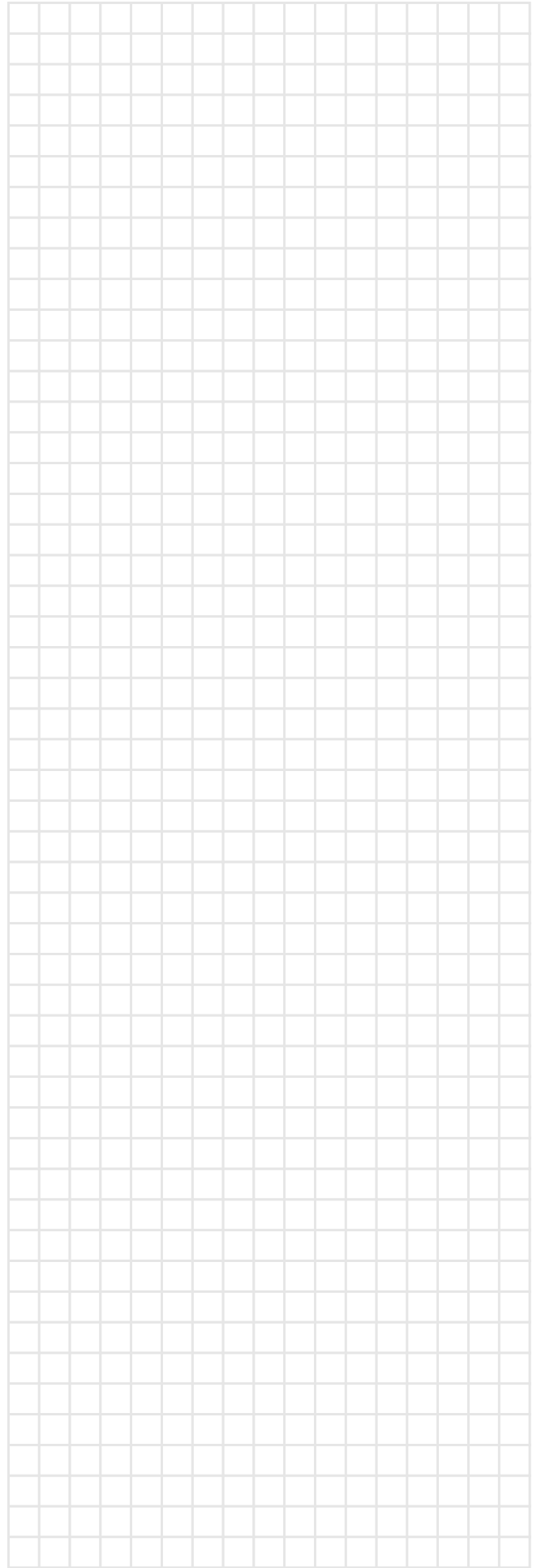
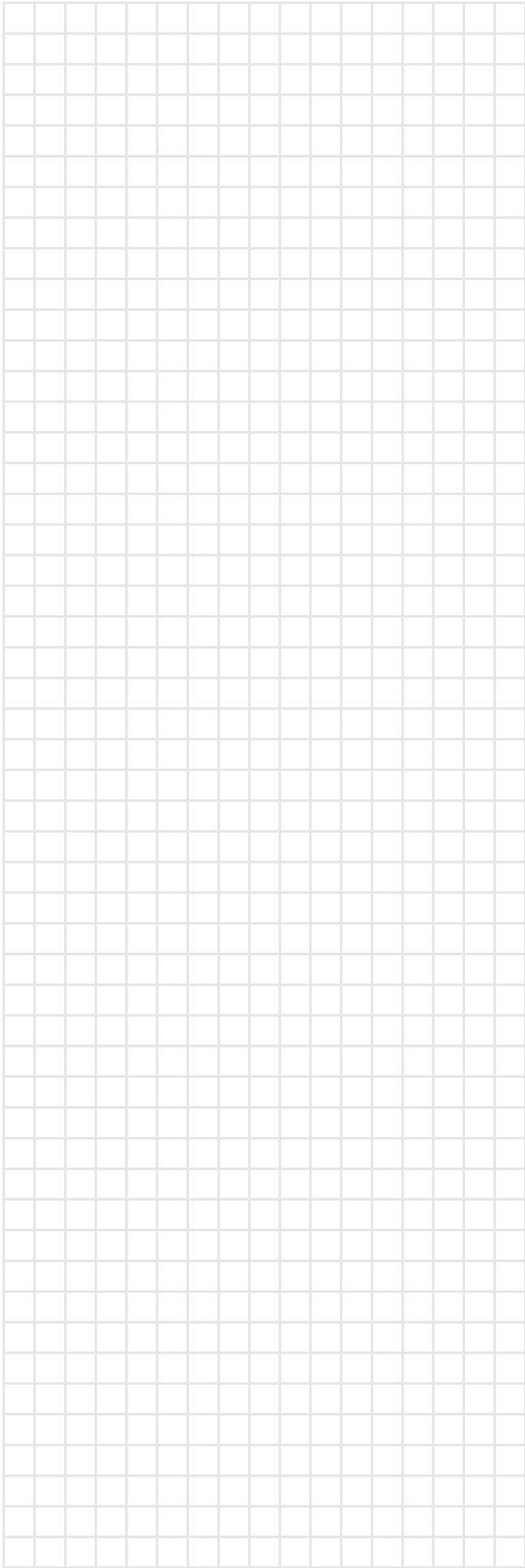
When the service cover loosens during maintenance of the decoration panel of the indoor unit, the string prevents the service cover from falling on the floor and getting damaged.

---

- 2 Install each service cover by sliding the 4 latches to fit into the holes of the decoration panel.



# NOTES



**DAIKIN EUROPE NV**

Zandvoordestraat 300, B-8400 Oostende, Belgium

4PWEN18239-1