

1. FH(Y)C – FHYCP

1.1. BYC125KJW1 – Decoration Panel

BEFORE INSTALLATION

PRECAUTIONS

- Refer also to the installation manual attached to the indoor unit.

ACCESSORIES

- Installation manual

NOTE TO INSTALLER

- Be sure to instruct the customer how to properly operate the system showing him/her the attached operation manual.

PREPARATION OF DECORATION PANEL

«For this unit, you are able to select air flow directions. To discharge air in 2 or 3 directions, it is necessary to purchase optional blocking pad kit.»

HANDLING OF DECORATION PANELS

- Never place the panel facing down nor lean it against a wall nor leave it on a projecting object.
- Never touch or put pressure on the swing flap.

(The swing flap may malfunction)

(1) Remove the suction grille from the decoration panel.

- ① Push the suction grille lever inward and lift up the lever side (Refer to Fig. 1)
- ② Detach the suction grille from the decoration panel by lifting the grille up approximately 45 degrees. (Refer to Fig. 2)

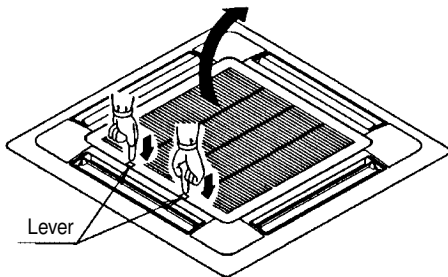


Fig. 1

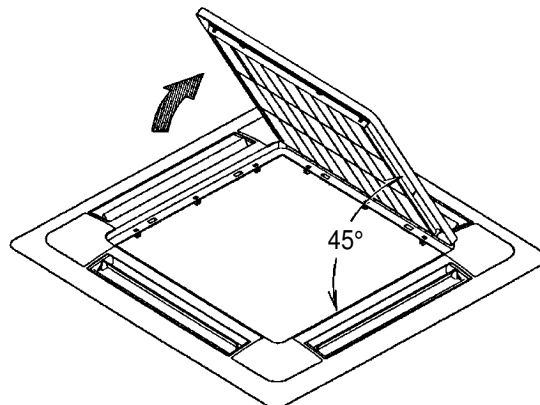


Fig. 2

(B0228)

- (2) Remove the service cover on the corner.
Slide the service cover outward to remove.
(Refer to Fig. 3)

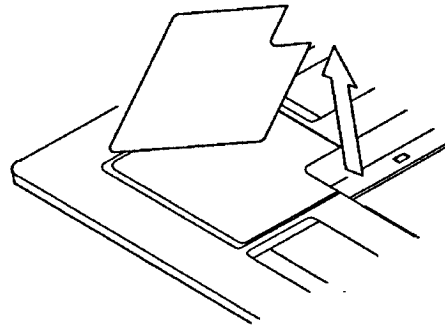
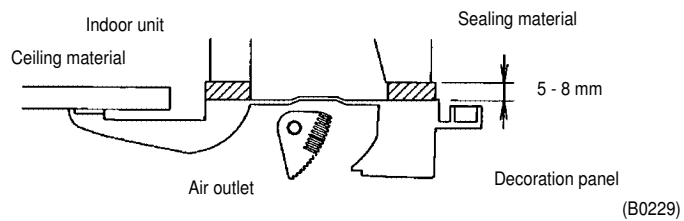


Fig. 3

INSTALLATION OF THE DECORATION PANEL TO THE INDOOR UNIT BODY

<< Refer to the installation manual attached to the indoor unit for the installation of the indoor unit. >>

- (1) Set the decoration panel to the indoor unit body by matching the position of the swing flap motor of the decoration panel to the piping position of the indoor unit as shown in Fig. 4.
- (2) Install the decoration panel
 - ① Temporarily install the decoration panel to the indoor unit by hanging the latch on the opposite side of the swing flap motor of the decoration panel to the hook of the indoor unit body. (2 positions)
 - ② Temporarily hang the remaining 2 latches to the hooks on the sides of the indoor unit.
(Be careful not to let the swing motor lead wire get caught in the sealing material.)
 - ③ Screw all 4 hexagon head screws located right beneath the latches in approximately 5 mm. (Panel will rise)
 - ④ Adjust the decoration panel by turning it to the arrowed direction in Fig. 4 so that the ceiling opening is completely covered.
 - ⑤ Tighten the screws until the thickness of the sealing material between the decoration panel and the indoor unit body reduces to 5-8 mm



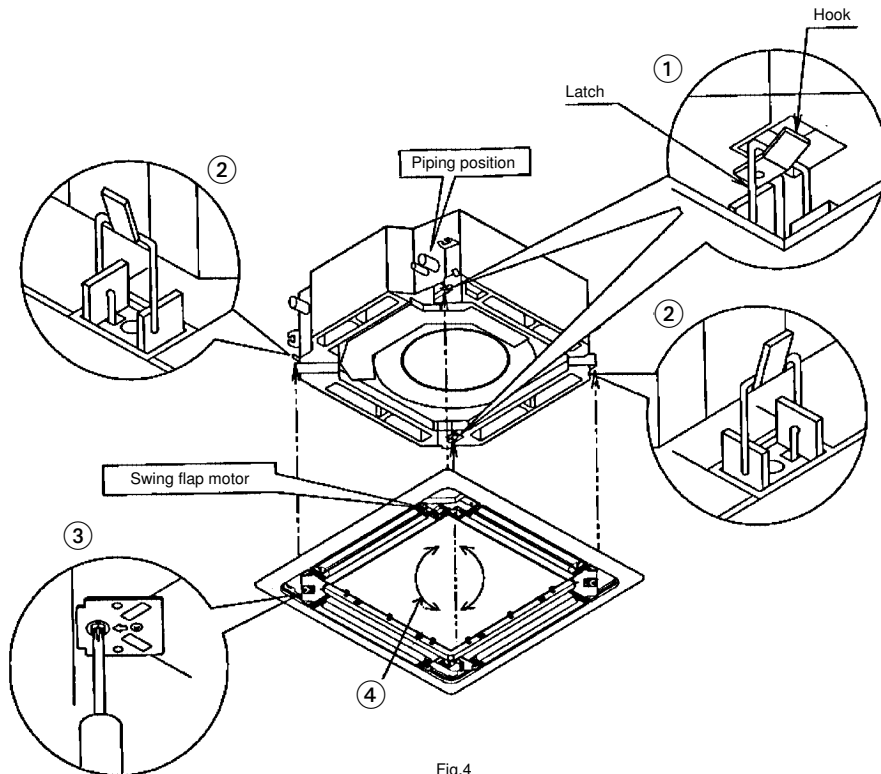


Fig.4

PRECAUTIONS

- improper tightening of the screws may cause the troubles shown in Fig. 5. Srew properly.

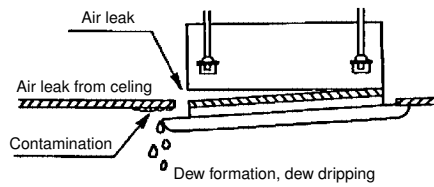
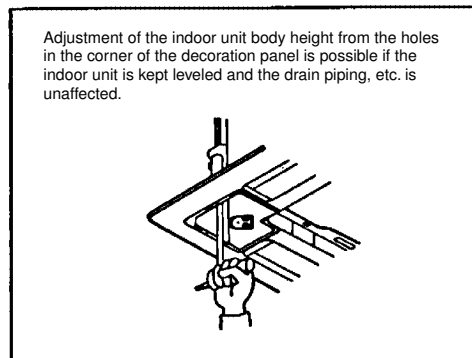
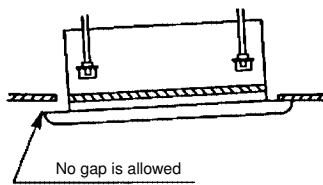


Fig.5

- If gap is still left between the ceiling and the decoration panel after tightening the screws, readjust the indoor unit body height. (Refer to Fig. 6)w



Adjustment of the indoor unit body height from the holes in the corner of the decoration panel is possible if the indoor unit is kept leveled and the drain piping, etc. is unaffected.

Fig. 6

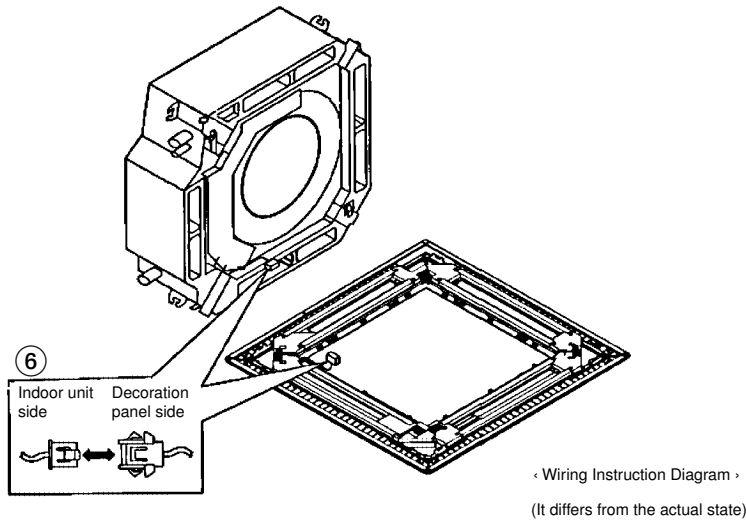
(B0230)

(3) Wiring of the decoration panel (Refer to Fig. 7)

⑥ Connect the connectors for swing flap motor lead wire installed on the decoration panel.

If connectors are not connected, the malfunction display (A7) appears on the remote control.
Connect the connectors properly.

Make sure that the swing flap motor lead wire is not caught between the indoor unit and the decoration panel.



INSTALLATION OF SUCTION GRILLE AND SERVICE COVER

(1) Install the suction grille

Install by reversing the procedure shown in "PREPARATION OF DECORATION PANEL."

It is possible to install the suction grille in 4 directions by turning the suction grille.

Change the direction when adjusting the direction of the suction grille of multiple units or in meeting customers' demands.

NOTE

Be careful not to get swing flap motor lead wire caught when installing the suction grille.

(2) Install the service cover on the corner

① Attach the string of the service cover to the pin of the decoration panel as in Fig. 8.

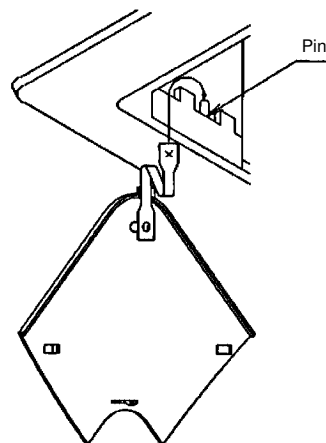
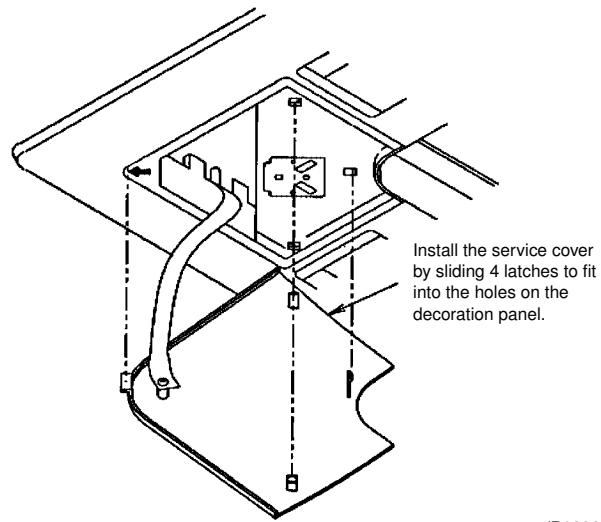


Fig. 8

(B0231)

- ② Install the service cover over the decoration panel.



(B0232)

1.2. KAFJ556K80-160 – High efficiency filter 65 %

Combination table

High Efficiency Filter (Set)	High Efficiency Filter	Filter Chamber
KAFJ556K80 KAFJ557K80	KAFJ552K80 KAFJ553K80	KDDFJ55K160
KAFJ556K160 KAFJ557K160	KAFJ552K160 KAFJ553K160	KDDFJ55K160

For the installation procedures refer to option KDDFJ55K160

1.3. KAFJ557K80 - High efficiency filter 90% (colorimetric method):

Combination table

High Efficiency Filter (Set)	High Efficiency Filter	Filter Chamber
KAFJ556K80 KAFJ557K80	KAFJ552K80 KAFJ553K80	KDDFJ55K160
KAFJ556K160 KAFJ557K160	KAFJ552K160 KAFJ553K160	KDDFJ55K160

As for the installation procedures, refer to “filter chamber”