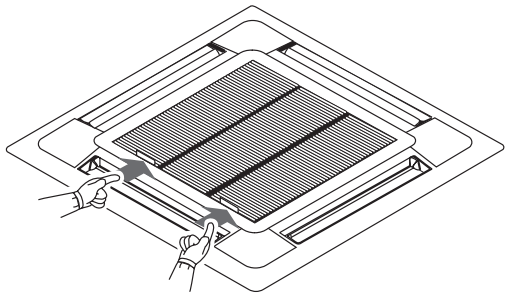




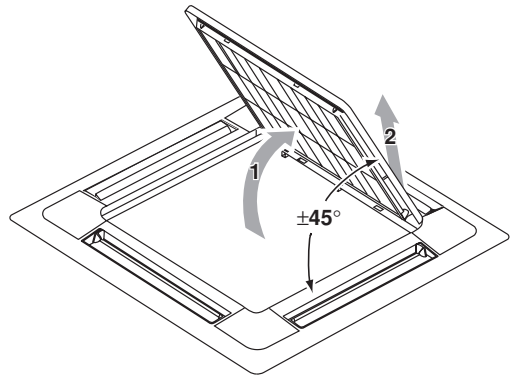
# INSTALLATION MANUAL

## Decoration panel

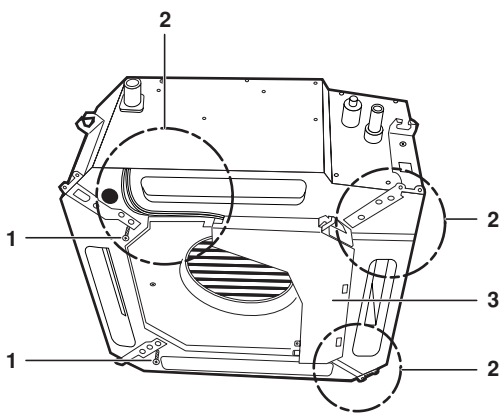
BYFQ60B7W1



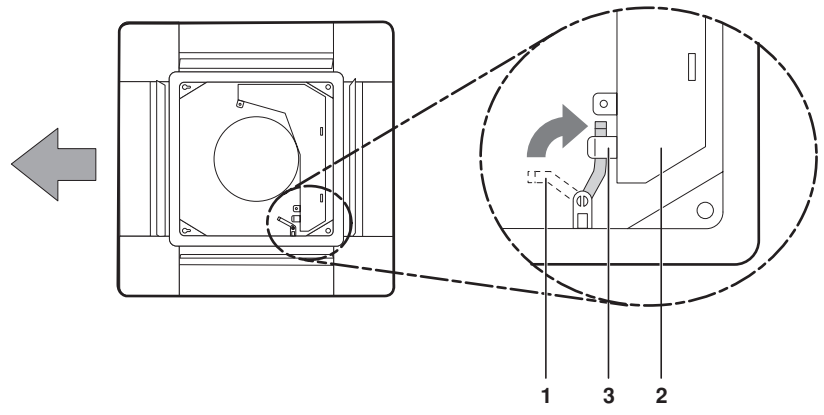
1



2

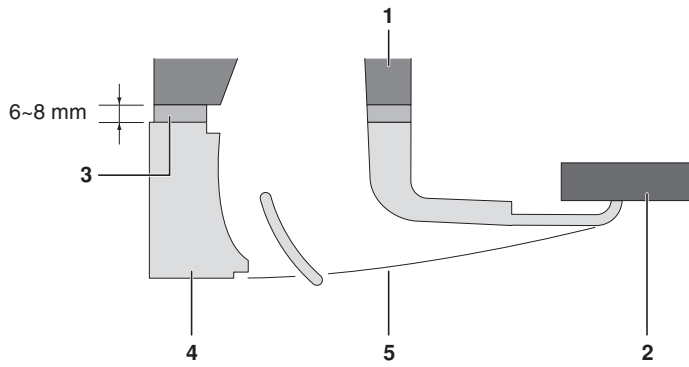


3

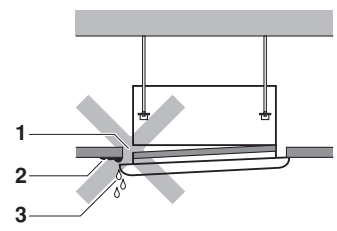


4

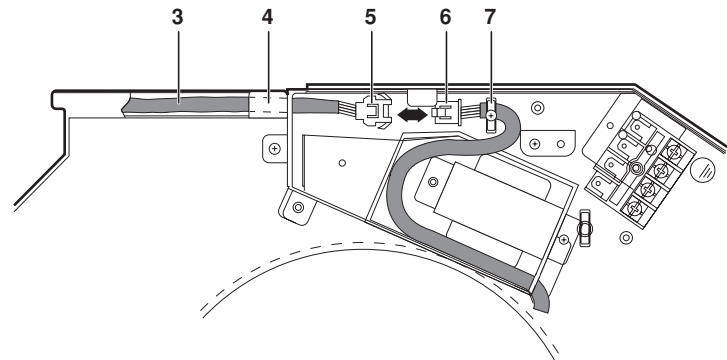
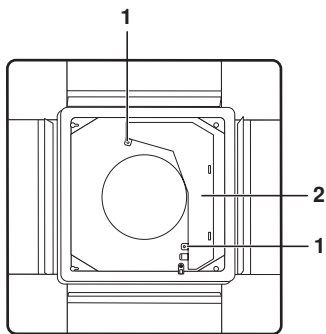
5



6



7



8



Read this manual attentively before installation. Do not throw it away. Keep it in your files for future reference.

Improper installation or attachment of equipment or accessories could result in electric shock, short-circuit, leaks, fire or other damage to the equipment. Be sure only to use accessories made by Daikin that are specifically designed for the use with the equipment and have them installed by a professional.

If unsure of installation procedures or use, always contact your dealer for advice and information.

## BEFORE INSTALLATION

- Leave the unit inside its packaging until you reach the installation site.
- Refer to the warning symbols on the unit.



### Rotary fan



Cut off the main power before opening the grille.

- Refer to the installation manual of the indoor unit for items not described in this manual.

#### NOTE



#### To the installer

Be sure to instruct the customer how to properly operate the system showing him or her the operation manual of the indoor unit.

## Accessories

Installation manual	
Screws (4x)	

## PREPARATION BEFORE INSTALLATION

For this unit, you are able to select air flow directions. To discharge air in 2 or 3 directions, it is necessary to purchase the optional blocking pad kit.

### Handling of the decoration panel

To prevent any damage to the decoration panel, take care of the following:

- Never place the panel with the front facing down.
- Never let the panel lean against a wall.
- Never put it down on a projecting object.
- Never touch or put pressure on the swing flap in order to prevent malfunction of the swing flap.

## Preparing the decoration panel for installation

- 1 Remove the suction grille from the decoration panel.
  - Push the suction grille lever in the direction of the arrow and open the grille. (See figure 1)
  - Detach the suction grille from the decoration panel by lifting the grille up approximately 45 degrees so the grille can be removed. (See figure 2)

## INSTALLATION OF THE DECORATION PANEL TO THE INDOOR UNIT

Refer to the installation manual of the indoor unit for details on installing the indoor unit.

- 1 Hold the decoration panel against the indoor unit by matching the piping side and drain side marks on the decoration panel with the position of the piping section and drain section of the indoor unit.
- 2 Install the decoration panel.

- 1 Make sure that the swing flap motor lead wire does not come out of the groove for routing the wire inside the indoor unit (3 locations). If it has, put it back in. (Connecting the decoration panel with the wire out of the groove may cause water leakage.)
- 2 Provisionally tighten the 2 supplied screws approximately 5 mm into the indoor unit at the side opposite the switch box. (See figure 3)

- 1 Supplied screws
- 2 Groove for wire routing
- 3 Switch box

- 3 Slide the panel in the direction of the arrow, matching the 2 attachment holes (⊙) over the provisionally tightened screws. (See figure 4)
- 4 Turn the decoration panel lever at the side of the indoor unit switch box over the hook located on that switch box. (See figure 5)

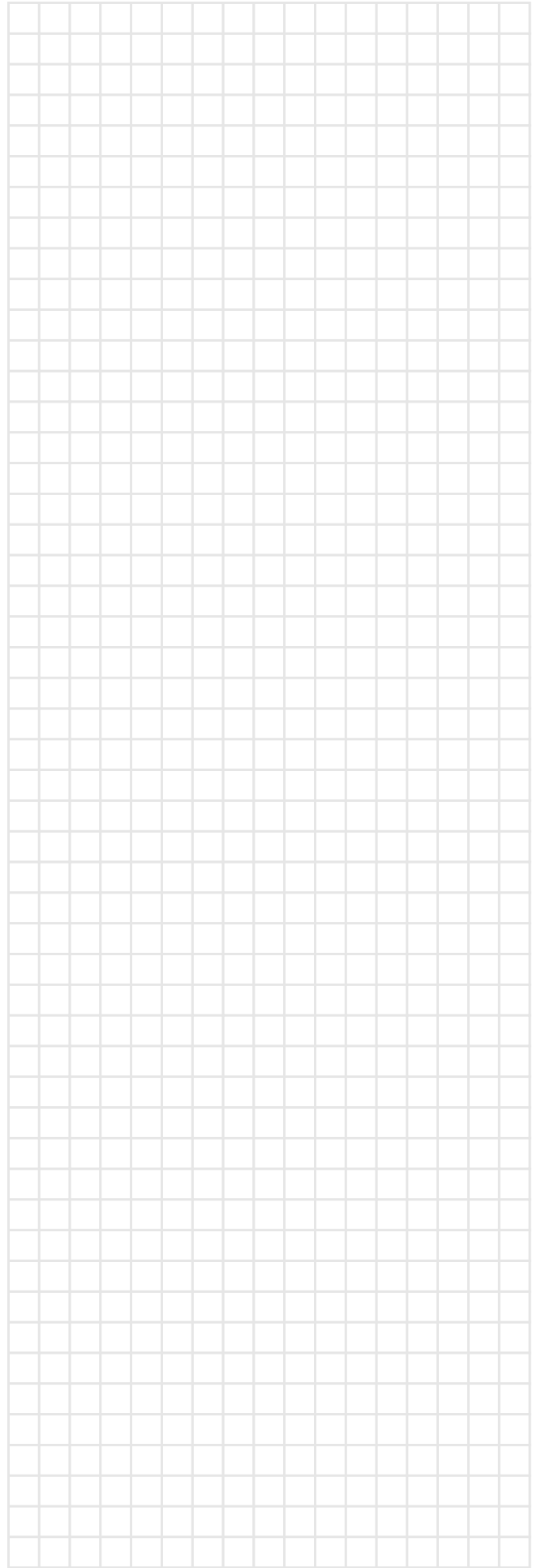
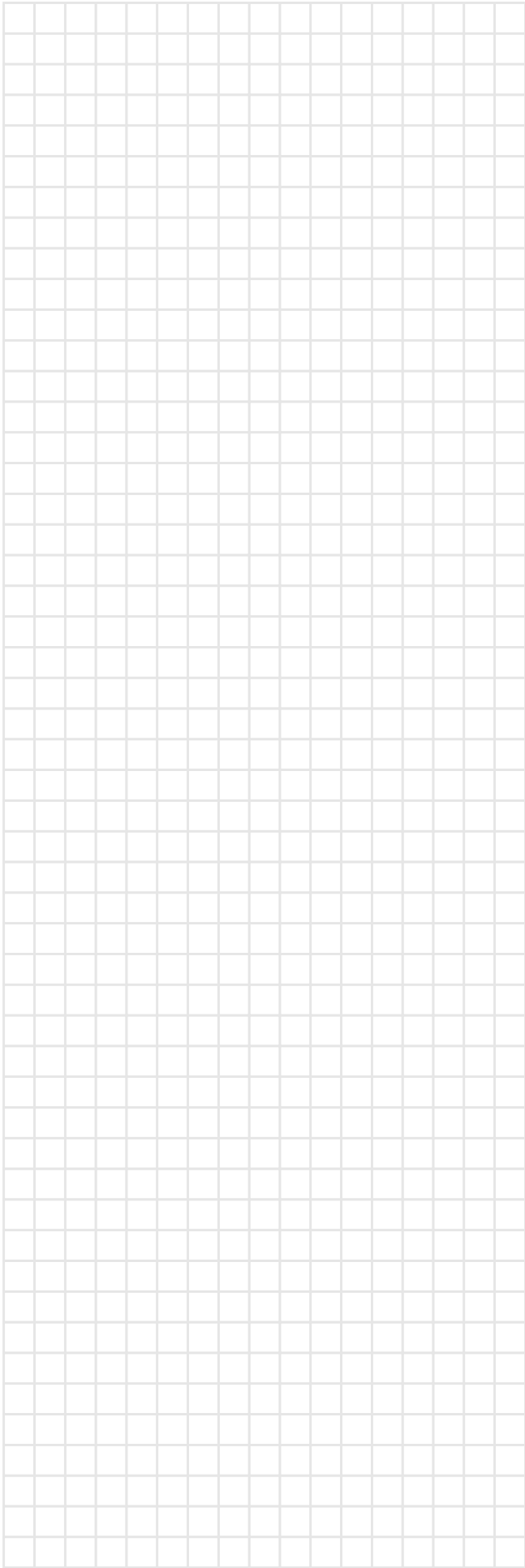
- 1 Lever
- 2 Switch box
- 3 Hook

- 5 Attach the remaining screws and tighten all 4 screws until the thickness of the sealing material between the decoration panel and the indoor unit is reduced to 6~8 mm. (See figure 6)

- 1 Indoor unit
- 2 Ceiling
- 3 Sealing material
- 4 Decoration panel
- 5 Air outlet



# NOTES



**DAIKIN EUROPE NV**

Zandvoordestraat 300, B-8400 Oostende, Belgium

4PWEN19171-1