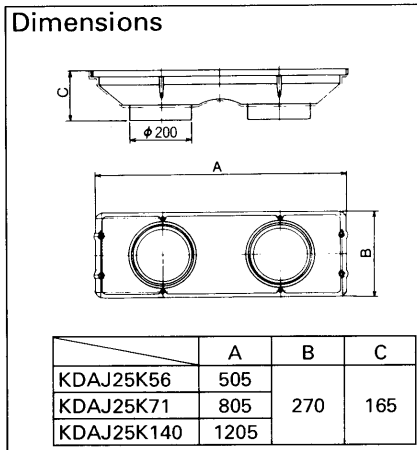


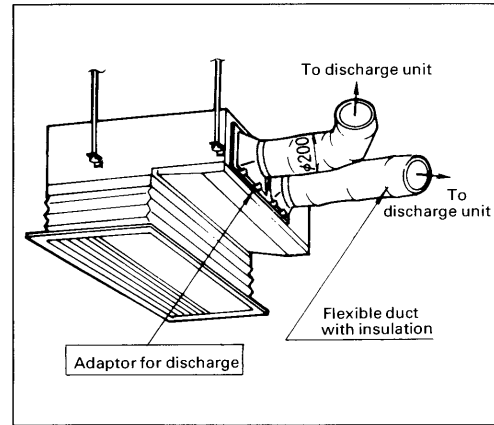
## 10.13 Adaptor for discharge — KDAJ25K56 · 71 · 140

Item	Kit name	KDAJ25K56	KDAJ25K71	KDAJ25K140
Applicable models		FH(Y)B35 · 45F	FHYB71F	FHYB100 · 125F
Connection Dia ( $\phi$ mm)		$\phi$ 200×2 port		$\phi$ 200×4 port
Materials		Plastic		



Note: Use with optional flexible duct.

### ● Example of installation



### 1. Contents of kit

Name	Quantity		
	KDAJ25K56	KDAJ25K71	KDAJ25K140
Adapter for discharge	1	1	1
Installation manual	1	1	1
screws	8	8	12

### 2. Tools required for the installation

Screw driver ⊕

### 3. Installation of the adaptor for discharge

- 1) Remove the air outlet flange from the indoor unit.
- 2) Attach the adaptor for discharge to the indoor unit.
  - ① Set the screws at 2 location of the indoor unit and fasten temporarily. (leave 20mm)
  - ② Hook the adaptor for discharge temporarily on the screws and fasten all the screws.

### 4. Cautions for the installation

Fasten the screws tightly so as no gap between the indoor unit and the adaptor for discharge.

