



IMPROPER INSTALLATION OR ATTACHMENT OF EQUIPMENT OR ACCESSORIES COULD RESULT IN ELECTRIC SHOCK, SHORT-CIRCUIT, LEAKS, FIRE OR OTHER DAMAGE TO THE EQUIPMENT. BE SURE ONLY TO USE ACCESSORIES MADE BY DAIKIN WHICH ARE SPECIFICALLY DESIGNED FOR USE WITH THE EQUIPMENT AND HAVE THEM INSTALLED BY A PROFESSIONAL.

IF UNSURE OF INSTALLATION PROCEDURES OR USE, ALWAYS CONTACT YOUR DAIKIN DEALER FOR ADVICE AND INFORMATION.

THIS KIT INCLUDES THE FOLLOWING PARTS

model	liquid branch	discharge gas branch	suction gas branch	heat insulation material	reducer/expander pipe
KHRQM22M20T8	✓	—	✓	2 sets	4 pipes
KHRQM22M29T8	✓	—	✓	2 sets	5 pipes
KHRQM22M64T8	✓	—	✓	2 sets	6 pipes
KHRQM22M75T8	✓	—	✓	2 sets	7 pipes
KHRQM23M20T8	✓	✓	✓	3 sets	2 pipes
KHRQM23M29T8	✓	✓	✓	3 sets	4 pipes
KHRQM23M64T8	✓	✓	✓	3 sets	8 pipes
KHRQM23M75T8	✓	✓	✓	3 sets	13 pipes

DIMENSIONS OF THE PIPING

Branch dimensions

	liquid branch	discharge gas branch	suction gas branch
KHRQM22M20T8		—	 reducer or expander pipe 1, 2x 2, 4
KHRQM22M29T8	 reducer or expander pipe 12	—	 reducer or expander pipe 5, 7, 2x 8
KHRQM22M64T8	 reducer or expander pipe 2x 5	—	 reducer or expander pipe 6, 7, 8, 9
KHRQM22M75T8	 reducer or expander pipe 3	—	 reducer or expander pipe 4, 6, 9, 2x 10, 11

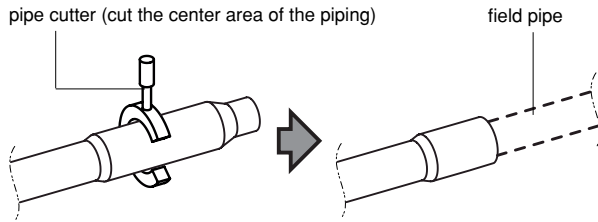
	liquid branch	discharge gas branch	suction gas branch
KHRQM23M20T8			
	—	—	reducer or expander pipe 2, 4
KHRQM23M29T8			
	reducer or expander pipe 12	—	reducer or expander pipe 7, 2x 8
KHRQM23M64T8			
	reducer or expander pipe 2x 5	reducer or expander pipe 5, 7, 2x 8	reducer or expander pipe 6, 9
KHRQM23M75T8			
	reducer or expander pipe 3	reducer or expander pipe 2, 6, 7, 8, 9, 10	reducer or expander pipe 4, 6, 9, 2x 10, 11

Reducer/expander pipe dimensions

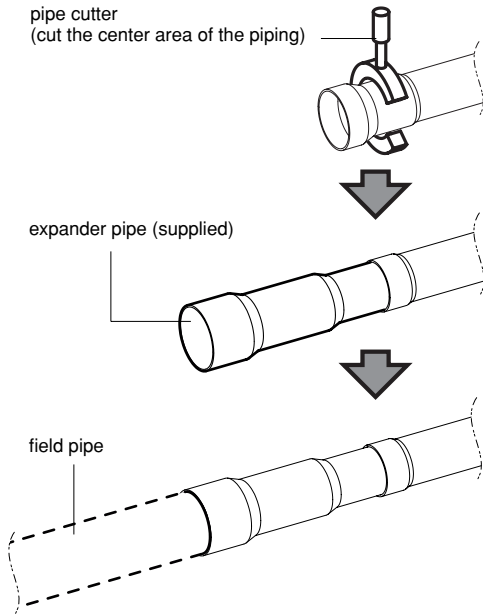
1		2		3	
4		5		6	
7		8		9	
10		11		12	

INSTALLATION PROCEDURE

Use a pipe cutter to cut off the pipe at a position where the size of the pipe fits the size of the connecting pipe selected according to the pipe selection procedure.



Use the supplied reducer/expander pipes when necessary



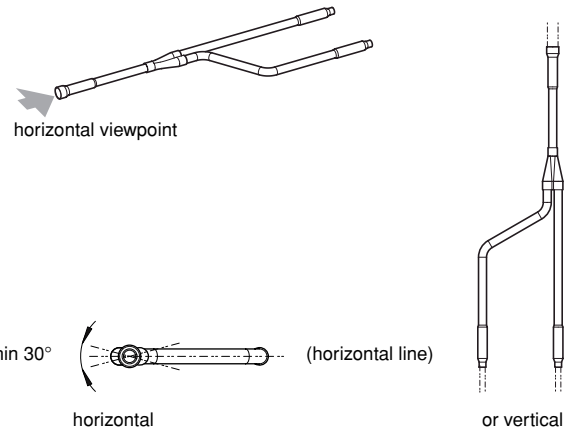
INSTALLATION PRECAUTIONS



Make sure to flow nitrogen gas through the pipe when brazing.

Installation orientation

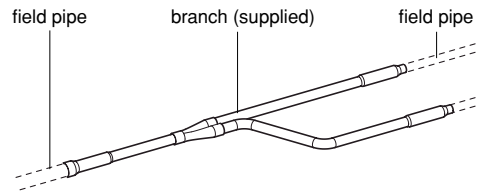
Install the branches so that they are oriented vertically or horizontally.



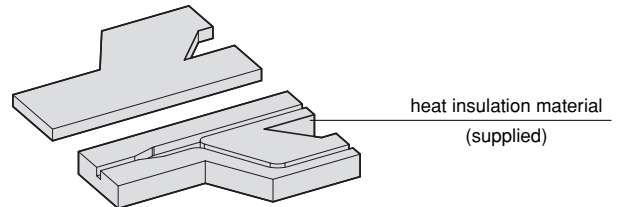
Heat insulation

Be sure to insulate the branches against heat.

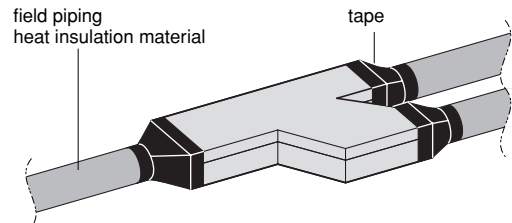
- Example of connected branch.



- Use the supplied heat insulation material to insulate the branches against heat.



- Apply the heat insulation material and seal all connections with tape.



NOTES

