





2 Fixing box

KJB111A

INSTALLATION POINT OF SWITCH BOX

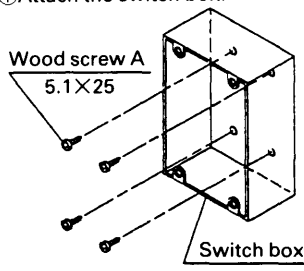
PARTS

- Check the parts according to the list shown below.

NAME	SWITCH BOX	COVER	WOOD SCREW A (5.1x25)	CLAMP SCREW B (M4x16)
QTY	KJB111A 1	1	2	2
SHAPE				

INSTALLATION

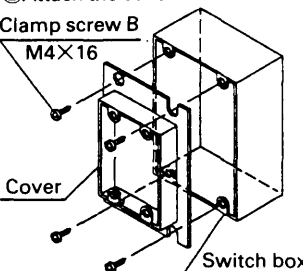
① Attach the switch box.



Wood screw A
5.1x25

Switch box

② Attach the cover.

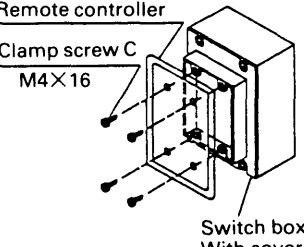


Clamp screw B
M4x16

Cover

Switch box

③ Attach the remote controller.

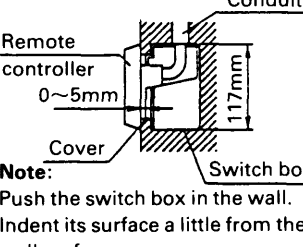


Remote controller

Clamp screw C
M4x16

Switch box
With cover

④ Example of installation.



Conduit

Remote controller
0~5mm

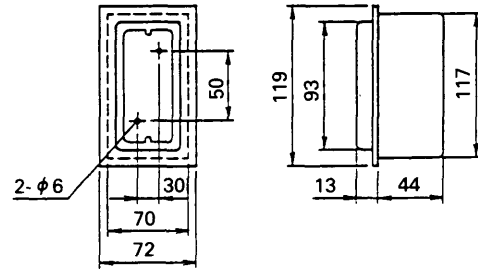
Cover

Switch box

Note:
Push the switch box in the wall.
Indent its surface a little from the wall surface.

SIZE

KJB111A (For Cool / Heat selector)



Notes:

1. Refer to the installation of each remote controller.
2. Do not bind the lead wires for switch box with the power cord and the link wiring.
This may cause erratic operation.
3. The remote controller and the clamp screw C are one kit. They are sold separately and attach to the switch box.