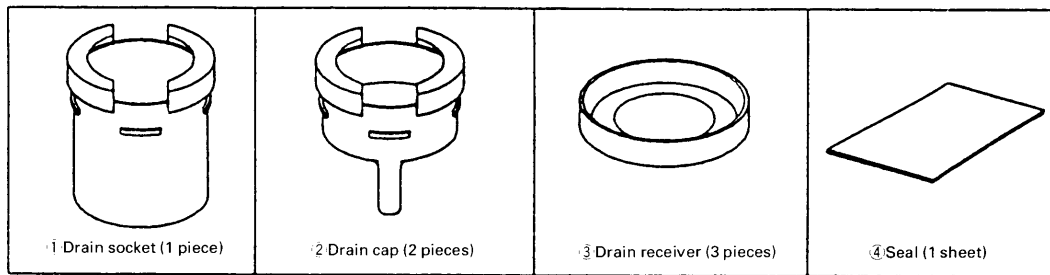


## 2 Central drain plug – KKPJ5F180

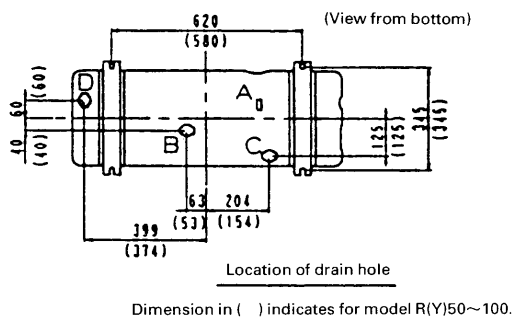
### Installation manual

- Use this plug to connect a drain hose to dispose the drain from the outdoor unit.

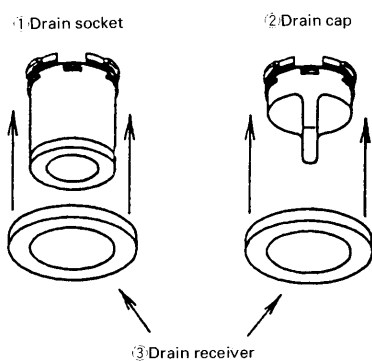
[1] Check that this kit contains the following parts.



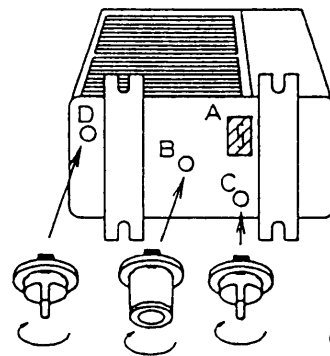
[2] Installation procedure



① Insert drain receiver ③ onto drain socket ① and drain cap ② beyond 4 projections around drain socket and drain cap.



② Insert drain socket and drain caps into their matching drain hole; Drain socket ① into drain hole B and drain caps ② into drain hole C and D. After insertion, turn them about 40° clockwise.



(Be sure not to insert them into wrong drain holes, or there causes water leakage.)

③ Connect vinyl hose on the market (internal diameter of 25mm) to drain socket ①.  
(If the hose is too long and hangs down, fix it carefully to prevent the kinks.)

④ Affix seals ④ to part A as shown on the above drawing.

Note: If the drain holes of the outdoor unit are covered with the mounting bracket or the floor, raise the unit to provide the space of more than 100mm under the leg of the outdoor unit.