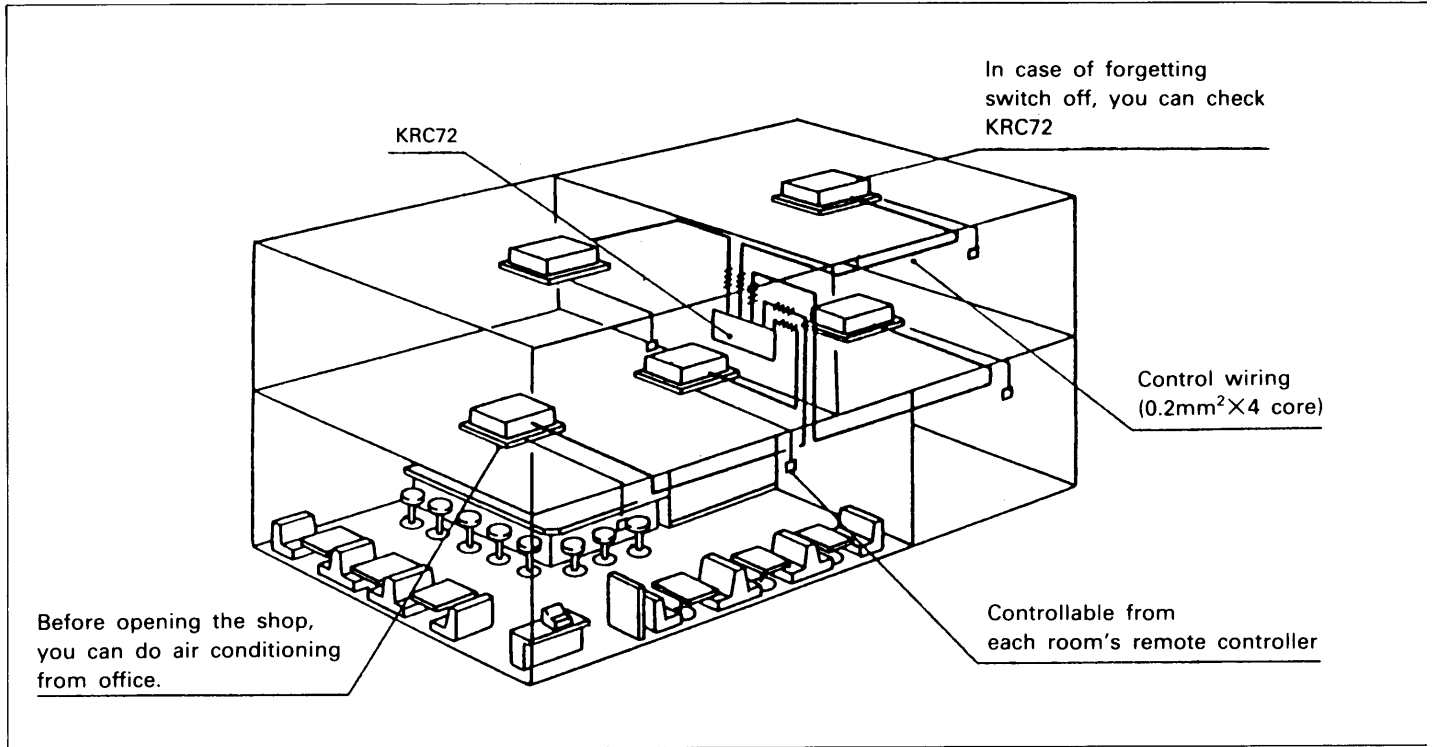


## 2 Centralized Control Board

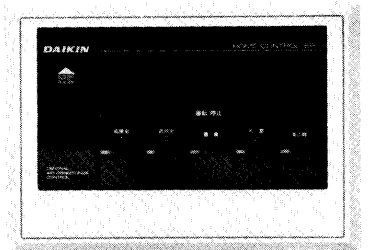
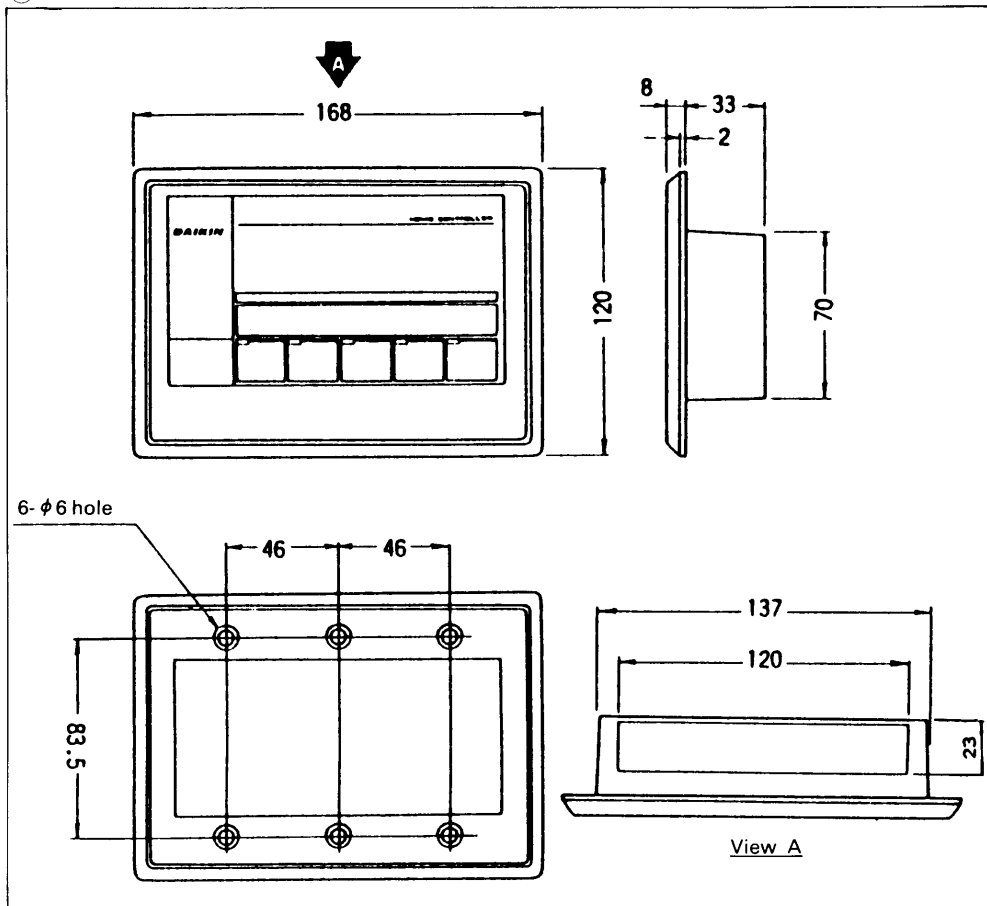
### 2.1 Up to 5 rooms

#### KRC72

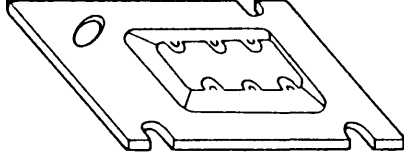
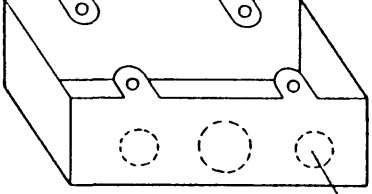
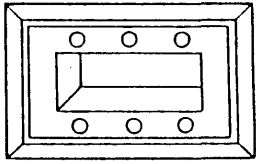
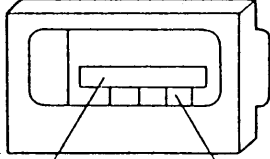
##### ① System application



##### ② Dimensions



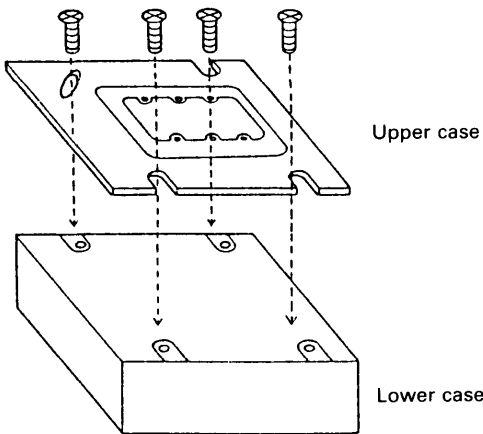
### ③ Parts of Components

<p>(1) Upper case of switch box 1 pc.</p> 	<p>(2) Lower case of switch box 1 pc.</p>  <p style="text-align: right;">K/O hole</p>
<p>(3) Lower case 1 pc.</p> 	<p>(4) Operation panel 1 pc. (KRC72)</p>  <p style="text-align: center;">"Cover for Face plate of Room name"      A-Room</p>
<ul style="list-style-type: none"> <li>• Face plate of room name ..... 1 pc.</li> <li>• M4 Screw ..... 6 pcs.</li> </ul>	<ul style="list-style-type: none"> <li>• Screw for switch box ..... 4 pcs.</li> <li>• Manual (Description) ..... 1 copy</li> </ul>

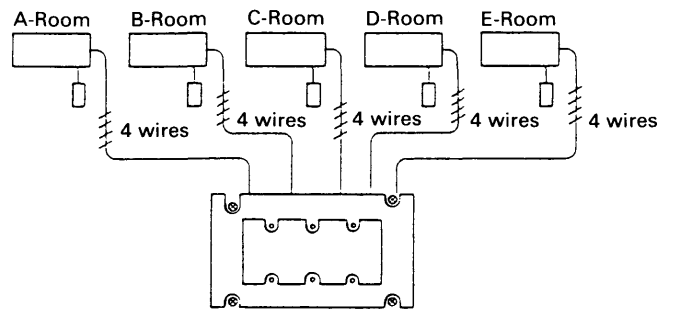
**Attention** When using this kit, please prepare the P-board (print circuit board) set of remote control (KRC73) of the same number as that of the air conditioners (indoor unit) to be controlled.

### ④ Procedures of the installation work

1) The upper case of the switch box shall be fixed on the lower case of the switch box with the screws.



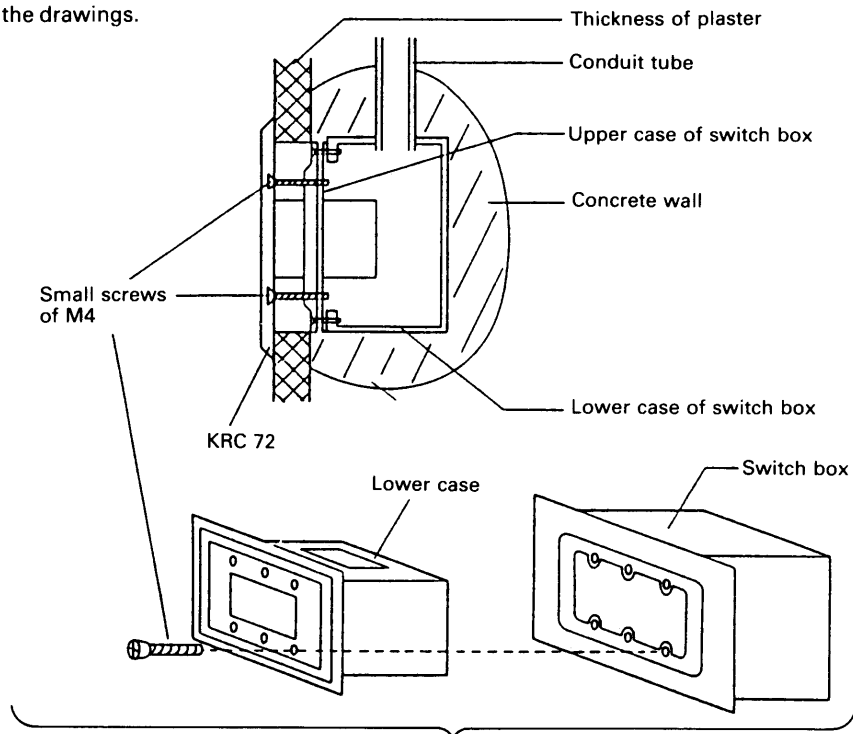
2) Previously, the switch box shall be set and the connection wires the each air conditioner shall be laid under the ground.



Note: Each ### mark shows four wires.

When connecting the wire, please utilize the three of knockouts (K/O) respectively provide for each of upper and lower side of the lower case of the switch box.  
Also, or the connection wiring, four core cables with sheath of 0.15 to 0.3 mm<sup>2</sup> shall be applied. (Max.50m)

3) The laying and installing methods for the switch box and the home controller KRC 72 are shown in the following drawings. Please refer to the drawings.

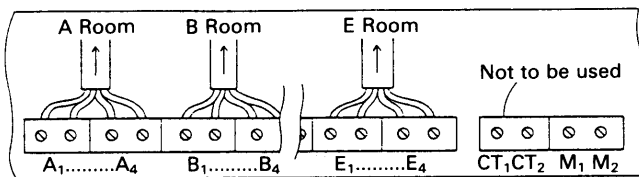


Connecting method of KRC 72 lower case with the switch box.

According to the drawing shown in the above, the M4 small screws shall be driven at the respective six holes of the case and box.

Here, the connecting wires shall be taken out to the lower case inside, before mounting the upper case into the lower case.

4) The connecting wires shall be respectively connected with the terminal blocks fixed at the back side of the P-board. (The switches of the operation panel are called as A to E rooms from the right side.)



5) The operation panel shall be inserted into the lower case of KRC 72.

[Reference]

Re: Installation work in the air conditioner side.

The connecting wire shall be jointed to the P-board for remote control use of KRC 73.

At the time, the P-board terminal numbers of the operation panel (No.1 to No.4) shall be adjusted to the respective terminal Nos. of KRC 73. (Refer to the drawing below.)

