

Function KRP1B51~57

What is in this Manual ?

Introduction

This manual is intended as an aid in using the optional PCB KRP1B5 for sky-air units.

It will help in deciding on the correct field setting in relation to the customer request and at the same time it will give an overview of the various possibilities of this optional PCB.

This manual also gives an overview of the status of the output contacts on the KRP1B5 in function of the unit status and programmed field settings. Please refer to the Installation Manual delivered with the KRP1B5 for installation details.

Overview

This manual covers the following topics

Topic	See Page
1 General Overview of Contact Status	2
2 Relation between Contact Status and Unit Actuator Status	4

1. General Overview of Contact Status

Introduction

Below table will give an overview of the status of the contacts X1-X2 & X3-X4 in function of the unit status and programmed field settings.

Field setting 12(22)-0 = X1/X2 output on KRP1B5.

Field setting 11(21)-2 = 21-2-02 is indoor fan OFF at thermo OFF

Overview

Field setting 12(22)-0	Unit Status	Field setting 11(21)-2	X1-X2	X3-X4
22-0-01 "Thermostat ON"	Thermo-off cool	21-2-01	Open	Closed
		21-2-02	Open	Open
	Thermo-off heat	21-2-01	Open	Closed
		21-2-02	Open	Open
	Thermo-on cool (+3)	---	Closed	Closed
	Thermo-on heat (+3)	---	Closed	Closed
	Error in cooling	---	Open	Open
Error in heating	---	Open	Open	
22-0-02 "Option"	Thermo-off cool	21-2-01	Open	Closed
		21-2-02	Open	Open
	Thermo-off heat	21-2-01	Open	Closed
		21-2-02	Open	Open
	Thermo-on cool	---	Open	Closed
	Thermo-on heat	---	Open	Closed
	Error in cooling	---	Open	Open
Error in heating	---	Open	Open	
22-0-03 "Operation"	Thermo-off cool	21-2-01	Closed	Closed
		21-2-02	Closed	Open
	Thermo-off heat	21-2-01	Closed	Closed
		21-2-02	Closed	Open
	Thermo-on cool (+4)	---	Closed	Closed
	Thermo-on heat (+4)	---	Closed	Closed
	Error in cooling	---	Closed	Open
Error in heating	---	Closed	Open	
22-0-04 "Malfunction"	Thermo-off cool	21-2-01	Open	Closed
		21-2-02	Open	Closed
	Thermo-off heat	21-2-01	Open	Closed
		21-2-02	Open	Closed
	Thermo-on cool	---	Open	Closed
	Thermo-on heat	---	Open	Closed
	Error in cooling	---	Closed	Open
Error in heating	---	Closed	Open	

Continued on next page

1. General Overview of Contact Status, Continued

Remarks

- *1/ Above simulation executed on RYP100B7V1 + FHYCP100B7V1
 - *2/ X1-X2 & X3-X4 are always both open when the system is switched OFF from the remote controller.
 - *3/ During the 3 minutes guard timer activation (e.g. during auto restart after power failure), X1-X2 is open while the compressor is OFF.
 - *4/ During the 3 minutes guard timer activation (e.g. during auto restart after power failure), X1-X2 is closed while the compressor is OFF.
-

2. Relation between Contact Status and Unit Actuator Status

Introduction In this chapter, details are shown on the actual compressor and indoor fan motor status and the corresponding status of the contacts X1-X2 & X3-X4.

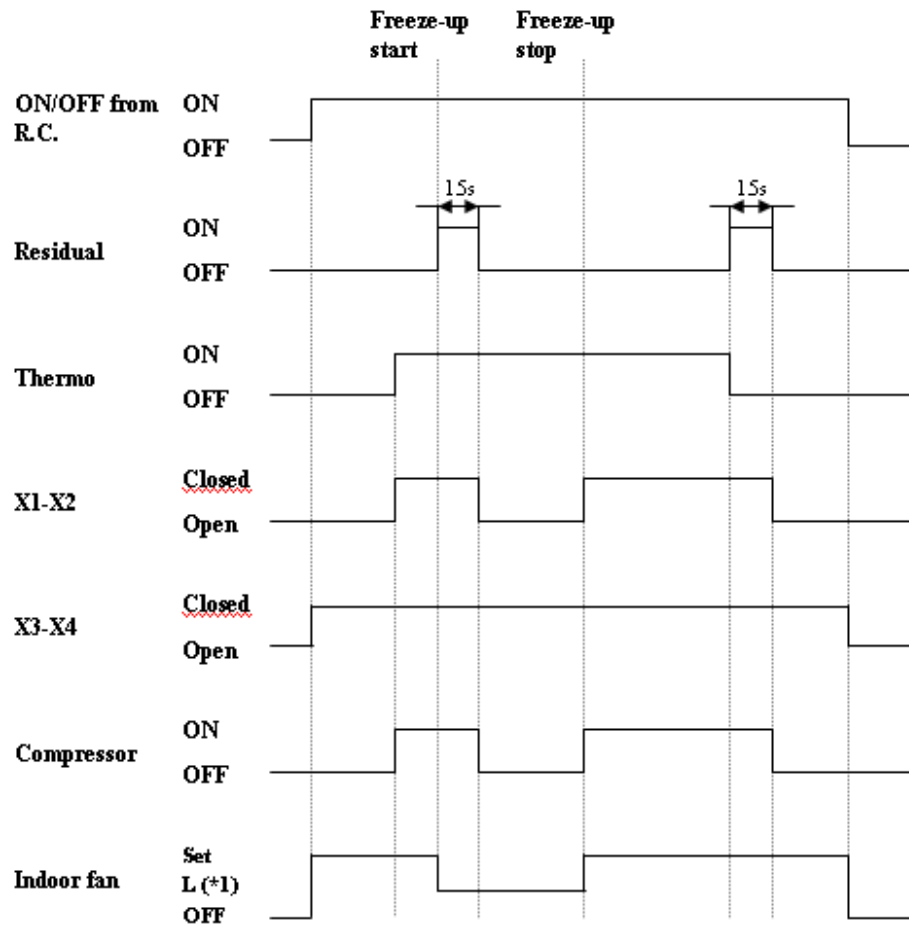
Overview

Topic	See Page
2.1 Cooling Operation, factory settings	5
2.2 Cooling Operation, fan off at thermostat off	6
2.3 Heating Operation, factory settings	7
2.4 Heating Operation, fan off at thermostat off	8

2.1 Cooling Operation, factory settings

Field settings 22-0-01 (“Thermostat ON”)
21-2-01 (= factory setting, fan ON at thermostat OFF)

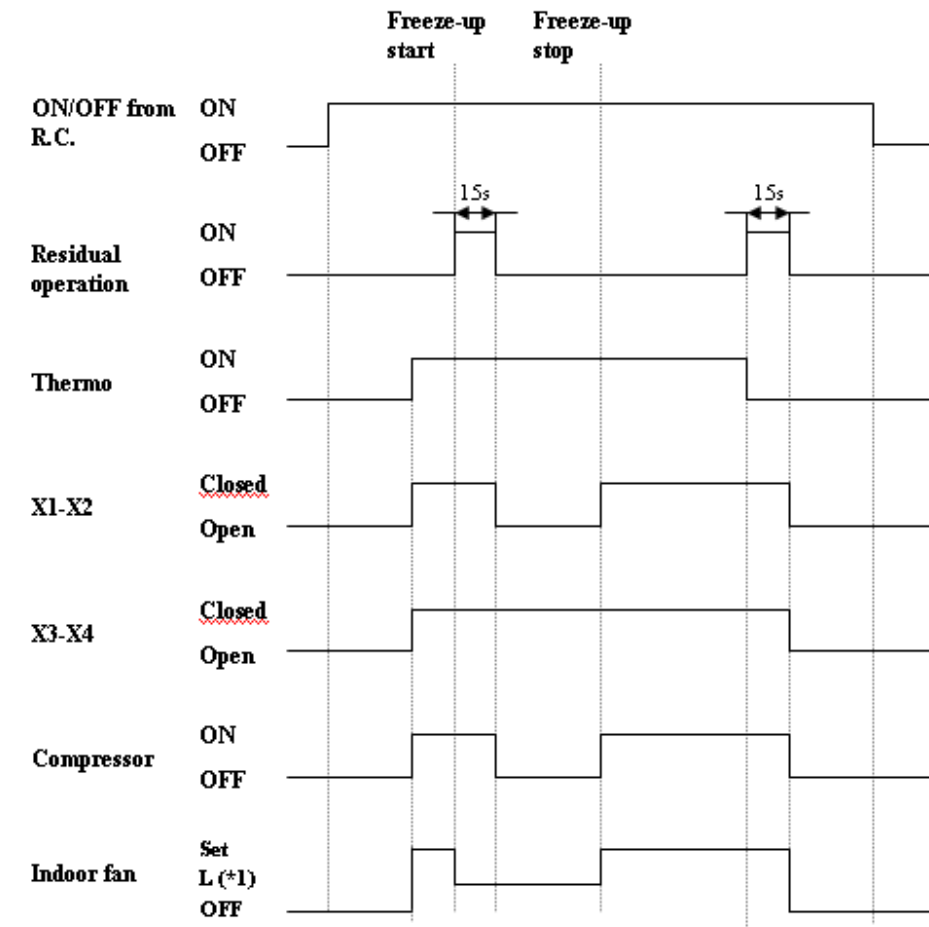
Diagram



2.2 Cooling Operation, fan off at thermostat off

Field settings 22-0-01 (“Thermostat ON”)
21-2-02 (= field setting, fan OFF at thermostat OFF)

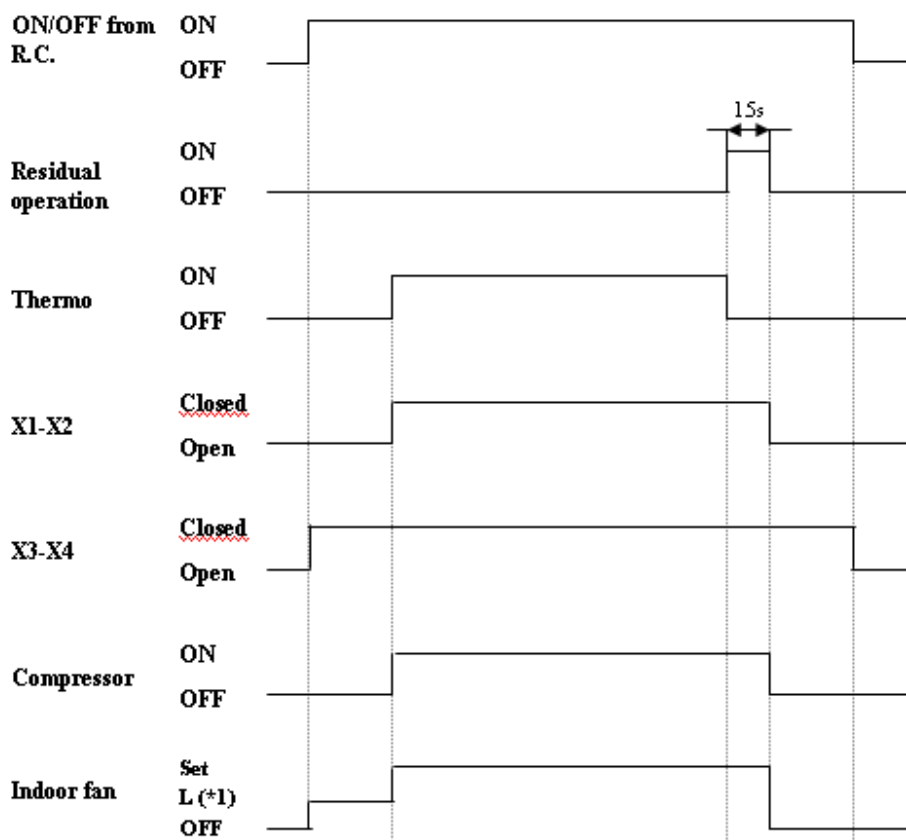
Diagram



2.3 Heating Operation, factory setting

Field settings 22-0-01 ("Thermostat ON")
 21-2-01 (= factory setting, fan ON at thermostat OFF)

Diagram



2.4 Heating Operation, fan off at thermostat off

Field settings 22-0-01 ("Thermostat ON")
 21-2-02 (= field setting, fan OFF at thermostat OFF)

Diagram

