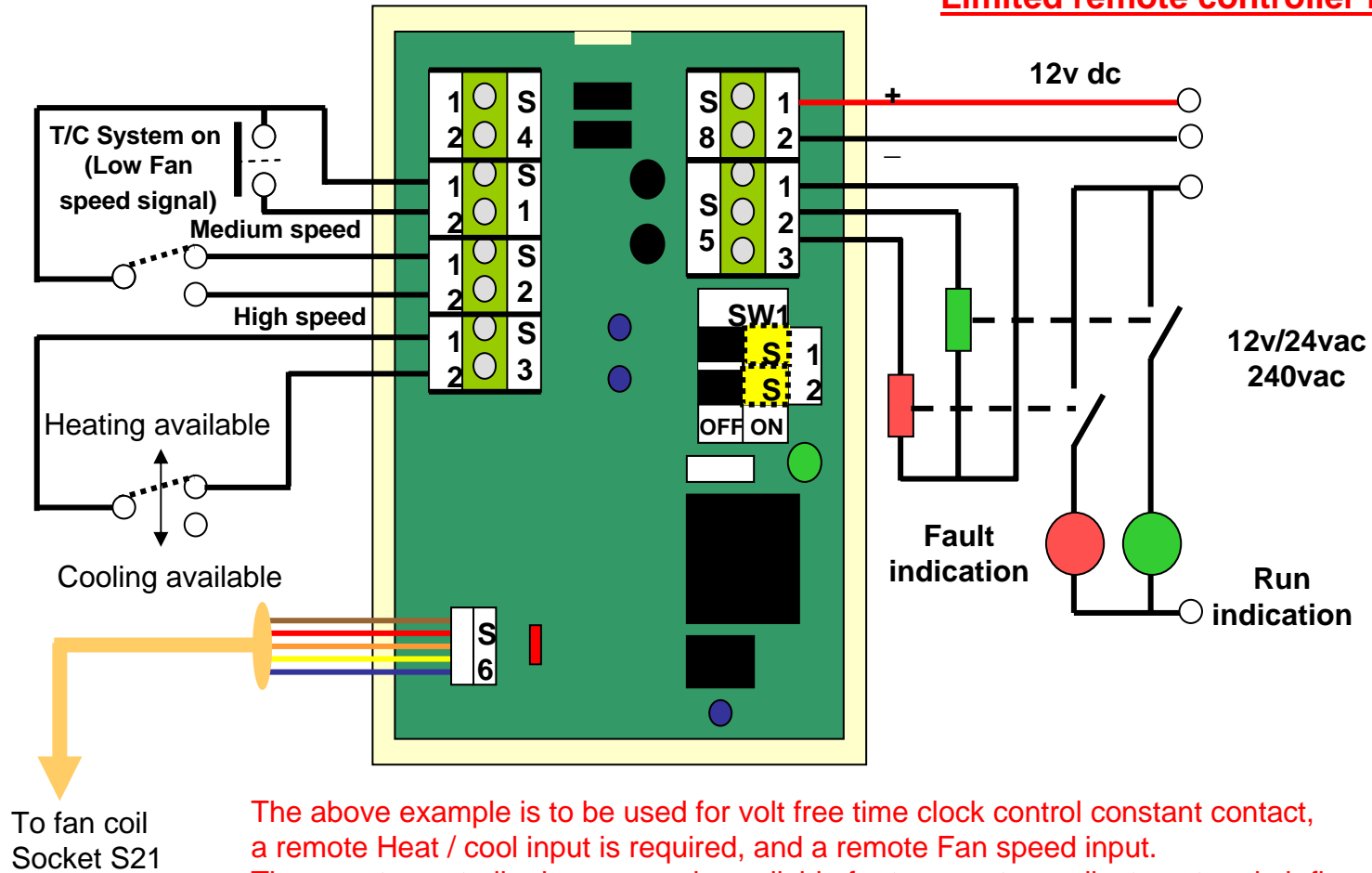


# KRP413A1S

Constant on/off contact, "auto restart"

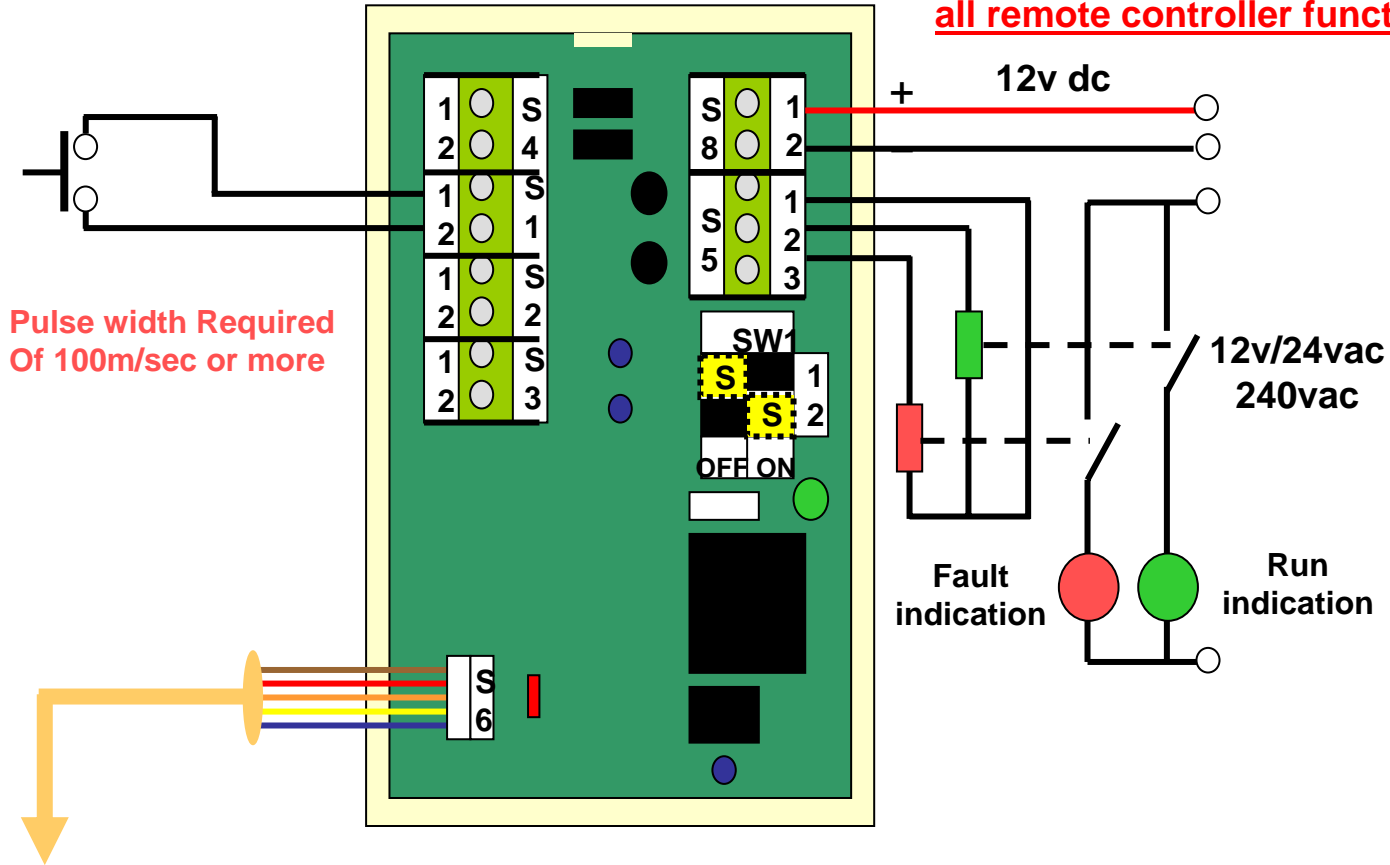
Limited remote controller functions



The above example is to be used for volt free time clock control constant contact, a remote Heat / cool input is required, and a remote Fan speed input. The remote controller is now purely available for temperature adjustment and air flow direction, no other functions are available

# KRP413A1S

Pulsed on/off contact, "auto restart", with  
all remote controller functions available



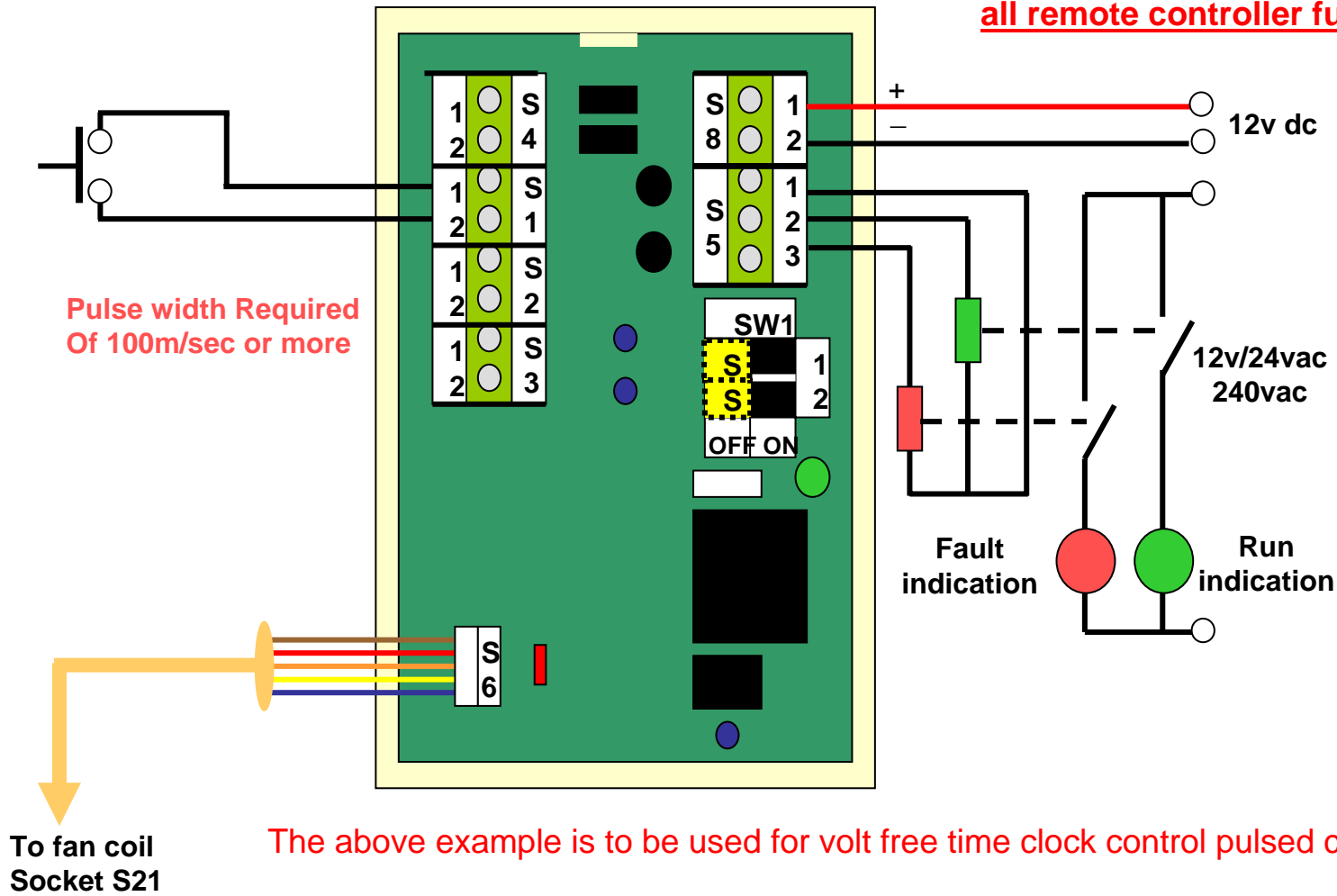
Pulse width Required  
Of 100m/sec or more

To fan coil  
Socket S21

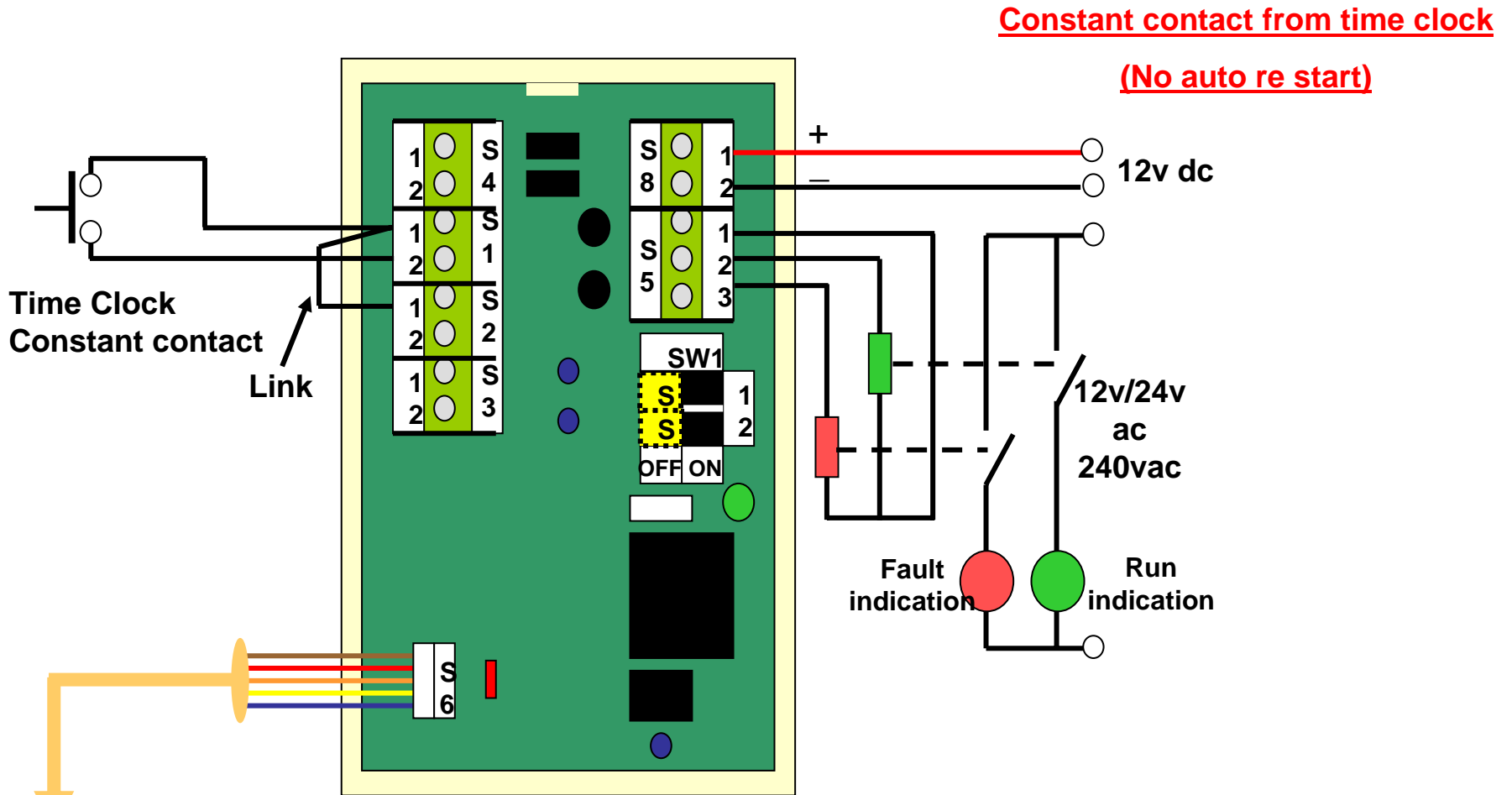
The above example is to be used for volt free time clock control pulsed contact

# KRP413A1S

Pulsed on/off contact, "No auto restart", with  
all remote controller functions available



# KRP413A1S



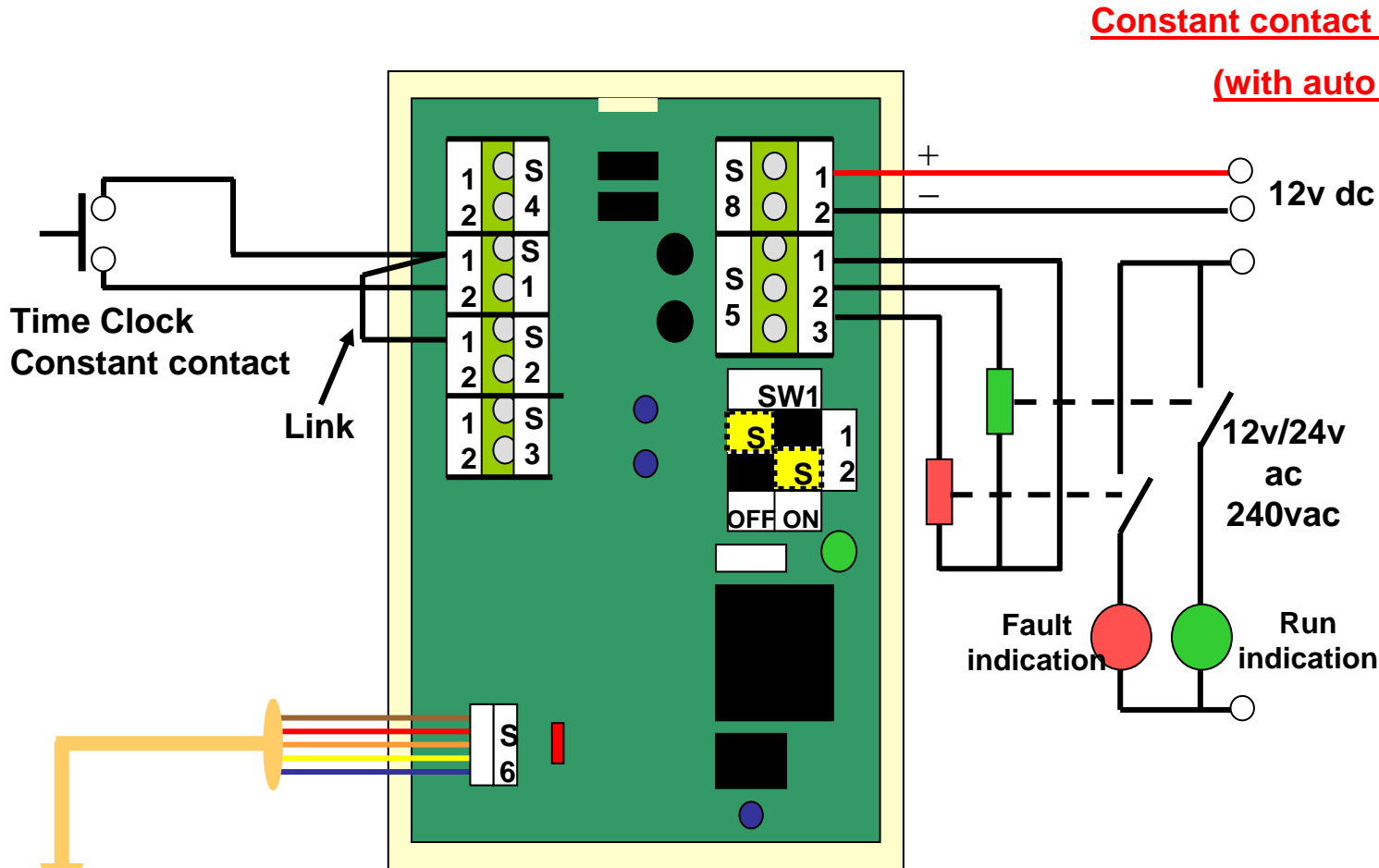
Constant contact from time clock

(No auto re start)

To fan coil  
Socket S21

The above example is to be used for volt free time clock control constant contact

# KRP413A1S



To fan coil  
Socket S21

The above example is to be used for volt free time clock control constant contact