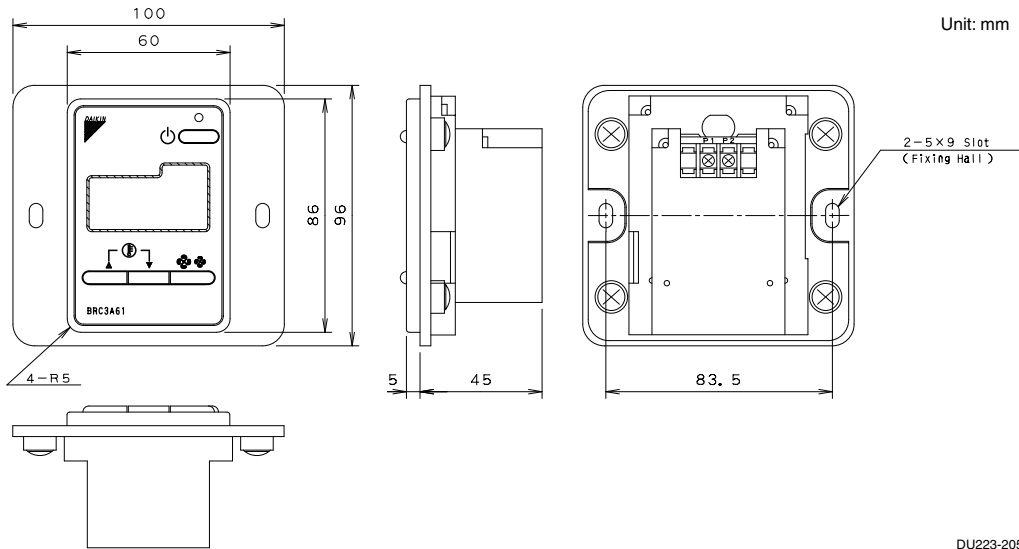


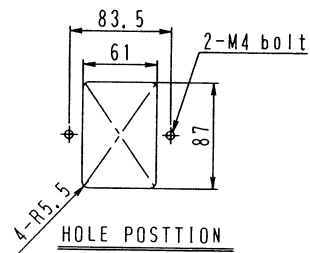
4. Remote Controller for Hotel Use

4.1 BRC3A61



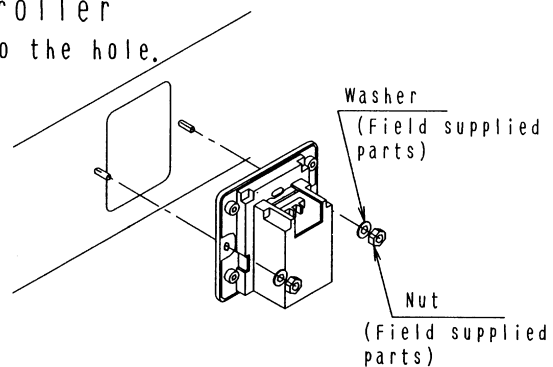
1, Prepare for the fixing panel

Open a hole in the panel and install two mounting bolt at below.



2, Attach the remote controller

Attach the remote controller to the hole.



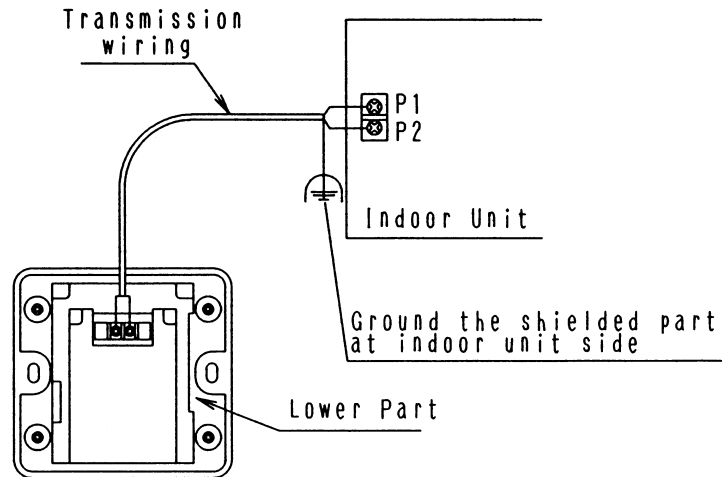
(Choose the flattest place possible for the mounting surface.
Be careful not to distort the shape of the casing of remote controller by over-lightening the nuts.)

《 PRECAUTION 》

1. The washers and nuts are not included.
2. Do not directly touch the PC board with your hand.

3, Wire the indoor unit.

Connect terminals P1 and P2 on the rear of the lower part of remote controller to terminals P1 and P2 on the indoor unit. (Terminals P1 and P2 have no polarity)



◀ PRECAUTION ▶

- ① When wiring, run the wiring away the power supply wiring in order to avoid receiving electric noise (external noise)
- ② When wiring, refer to the wiring diagram of indoor unit (attached to indoor unit) as well.

WIRING SPECIFICATION

Wiring type	Shield wire (2 wire)(See NOTE 2)
Size	0.75~1.25mm ²

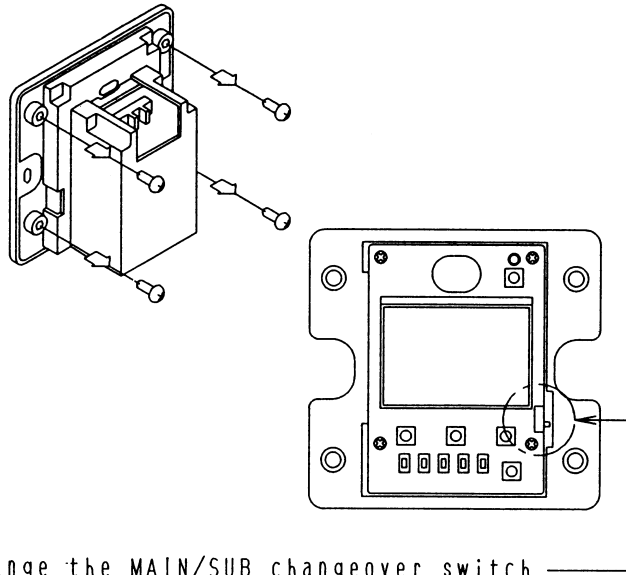
NOTE)

1. Treat the terminal for the wire to be connected to the remote controller so the shielded part does not touch any other part.
2. Sheathed wire may be used for transmission wirings. If using a sheathed wire, as for Electromagnetic Compatibility the system must conform to the Electrical Appliance And Material Control Law Of Japan.

3PA61527

4, Initial setting

Remove the screws (×4) and remove the lower part of remote controller.



Change the MAIN/SUB changeover switch

If controlling one indoor unit with two remote controllers setting as described below. Set one remote controller to 'MAIN', and the other to 'SUB'



Main Remote
Controller
(Factory Set)



Sub Remote
Controller

« PRECAUTION »

- If controlling with one remote controller, be sure to set it to 'MAIN'
- Set the remote controller before turning power supply on.

'88' is displayed for about one minute when the power supply is turned on, and the remote controller cannot be operated in some cases.

3PA61527

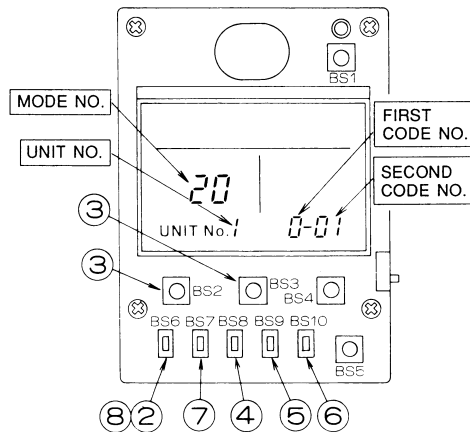
FIELD SETTING

(If optional accessories are mounted on the indoor unit, the indoor unit setting may have to be changed. Refer to the instruction manual for each optional accessory.)

Procedure

- ① Remove the upper part of remote controller.
- ② When in the normal mode, press the **[BS6]** BUTTON (field set), and the FIELD SET MODE is entered.
- ③ Select the desired MODE No. with the **[BS2]** BUTTON (temperature setting ▲) and the **[BS3]** BUTTON (temperature setting ▼).
- ④ During group control, when setting by each indoor unit (mode No. 20, 22 and 23 have been selected), push the **[BS8]** BUTTON (unit no.) and select the INDOOR UNIT NO. to be set. (This operation is unnecessary when setting by group.)
- ⑤ Push the **[BS9]** BUTTON (set A) and select FIRST CODE NO.
- ⑥ Push the **[BS10]** BUTTON (set B) and select SECOND CODE NO.
- ⑦ Push the **[BS7]** BUTTON (set/cancel) once and the present settings are SET.
- ⑧ Push the **[BS6]** BUTTON (field set) to return to the NORMAL MODE.

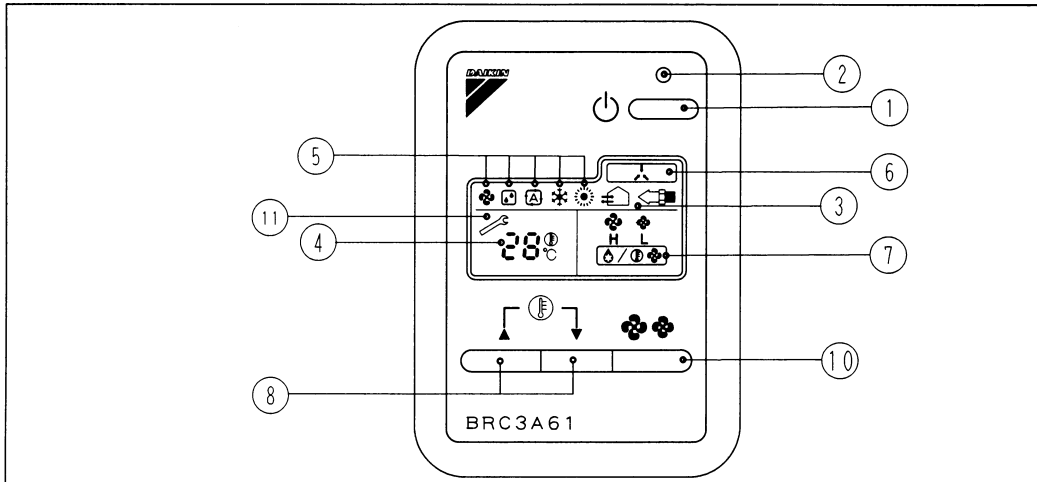
(Example) If during group setting and the time to clean air filter is set to FILTER CONTAMINATION - HEAVY, SET MODE NO. to "10," FIRST CODE NO. to "0," and SECOND CODE NO. to "02."



Mode No. Note) 1	FIRST CODE No.	Description of Setting	SECOND CODE No. Note) 2				
			01	02	03		
10(20) Note) 6	0	Filter Contamination - Heavy/Light (Setting for spacing time of display time to clean air filter) (Setting for when filter contamination is heavy, and spacing time of display time to clean air filter is to be halved)	Long Life Filter Light	Approx. 2,500 Hrs.	Heavy	Approx. 1,250 Hrs.	—
	3	Standard Filter Display	Approx. 200 Hrs.	Approx. 100 Hrs.	Do Not Display	—	
12(22)	1	Spacing Time of Display Time to Clean Air Filter Count (Setting for when the filter sign is not to be displayed)	ON/OFF Input from Outside. (Setting for when forced ON/OFF is to be operated from outside.)	Forced OFF	ON/OFF Operation	—	—
	2	Thermostat Differential Changeover (Setting for when using the remote sensor) FXYC, FXYE, FXYK or FXYH only	1°C	0.5°C	—	—	
13(23)	0	High Air Outlet Velocity (Setting for when installed in a high ceiling) FXYF only	2.7 m or less	More than 2.7 m; 3.0 m or less	More than 3.0 m; 3.5 m or less	—	
	1	Selection of Air Flow Direction (Setting for when a blocking pad kit has been installed) FXYF only	4-way flow	3-way flow	2-way flow	—	
15(25)	1	Humidifying with thermostat OFF	Not equipped	Equipped	—	—	
	3	Drain pump operation with humidifying	Not equipped	Equipped	—	—	

NOTE) 1. Setting is carried out in the group mode, however, if the mode number inside the parentheses is selected, indoor units can also be set individually.
2. The SECOND CODE number is set to "01" when shipped from the factory.
3. Do not make any settings not given in the table on the left.
4. Not displayed if the indoor unit is not equipped with that function.
5. When returning to the normal mode, "02" may be displayed in the LCD in order for the remote controller to initialize itself.
6. This mode is used to set the time until the display time to clean air filter lights up when using central remote controller.

3PA52946A



REMOTE CONTROLLER: NAME AND FUNCTION OF EACH SWITCH AND DISPLAY

<p>① ON/OFF BUTTON</p> <p>Press the button and the system will start. Press the button again and the system will stop.</p>	<p>⑦ DISPLAY ' H L ' (FAN SPEED)</p> <p>The display shows the fan speed: 'HIGH' or 'LOW'.</p>
<p>② OPERATION LAMP (RED)</p> <p>The lamp lights up during operation. Blinks in case of stop due to malfunction.</p>	<p>⑧ DISPLAY ' DEFROST/HOT START ' (DEFROST/HOT START)</p> <p>Indicates that defrost or hot start (during which the fan is stopped till the temperature of air supply rises enough at the start of a heating run) is progress.</p>
<p>③ DISPLAY ' VENTILATION/AIR CLEANING ' (VENTILATION/AIR CLEANING)</p> <p>This display shows that the total heat exchange are in operation. (This is optional accessory)</p>	<p>⑨ TEMPERATURE SETTING BUTTON</p> <p>Use this button for SETTING TEMPERATURE of the thermostat. ▲: Each press raises the set temperature by 1°C ▼: Each press lowers the set temperature by 1°C The variable temperature range is 16°C to 32°C.</p>
<p>④ DISPLAY ' 28°C ' (SET TEMPERATURE)</p> <p>This display shows the set temperature. Only given during a cooling or heating operation.</p>	<p>⑩ FAN SPEED CONTROL BUTTON</p> <p>Press this button to select the fan speed, HIGH or LOW, of your choice.</p>
<p>⑤ DISPLAY ' OPERATION MODE ' (OPERATION MODE)</p> <p>This display shows current OPERATION MODE. ' ' is not available whis outdoor units specially designed for cooling only. ' ' is reserved only for outdoor units capable of heat recovery.</p>	<p>⑪ DISPLAY ' MALFUNCTION ' (MALFUNCTION)</p> <p>Indicates malfunction and blinks if the unit stops operating due to malfunction. (As for details, see 'TROUBLE SHOOTING' in the operation manual attached to the indoor unit or the outdoor unit.)</p>
<p>⑥ DISPLAY ' UNDER CENTRALIZED CONTROL ' (UNDER CENTRALIZED CONTROL)</p> <p>When this display shows, the system is UNDER CENTRALIZED CONTROL (This is not a standard specification)</p>	

(NOTE)

- For the sake of explanation, all indications are shown in the figure above contrary to actual running situations.
- This remote controller does not have "AIR FLOW DIRECTION ADJUST BUTTON." Don't operate the flap adjusting air flow direction by your hand. (FXYF, FXYC, FXYH, FXYA, FXYK)