

---

## **Wireless Remote Controller Kit**

---

### **MODELS**

**BRC7C51W  
BRC7C56W**

**READ THESE INSTRUCTIONS CAREFULLY BEFORE INSTALLATION.  
KEEP THIS MANUAL IN A HANDY PLACE FOR FUTURE REFERENCE.**

**LESEN SIE DIESE ANWEISUNGEN VOR DER INSTALLATION SORGFÄLTIG DURCH.  
BEWAHREN SIE DIESE ANLEITUNG FÜR SPÄTERE BEZUGNAHME GRIFFBEREIT  
AUF.**

**LIRE SOIGNEUSEMENT CES INSTRUCTIONS AVANT L'INSTALLATION.  
CONSERVER CE MANUEL A PORTEE DE LA MAIN POUR REFERENCE  
ULTERIEURE.**

**LEA CUIDADOSAMENTE ESTAS INSTRUCCIONES ANTES DE INSTALAR.  
GUARDE ESTE MANUAL EN UN LUGAR A MANO PARA LEER EN CASO DE TENER  
ALGUNA DUDA.**

**PRIMA DI PROCEDERE ALL'INSTALLAZIONE, LEGGERE ATTENTAMENTE QUESTE  
ISTRUZIONI.  
CONSERVARE QUESTO MANUALE A PORTATA DI MANO PER FUTURE  
CONSULTAZIONI.**

**ΔΙΑΒΑΣΤΕ ΑΥΤΕΣ ΤΙΣ ΟΔΗΓΙΕΣ ΠΡΟΣΕΚΤΙΚΑ ΠΡΙΝ ΑΠΟ ΤΗΝ ΕΓΚΑΤΑΣΤΑΣΗ.  
ΕΧΕΤΕ ΑΥΤΟ ΤΟ ΕΓΧΕΙΡΙΔΙΟ ΕΥΚΑΙΡΟ ΓΙΑ ΝΑ ΤΟ ΣΥΜΒΟΥΛΕΥΕΣΤΕ ΣΤΟ ΜΕΛΛΟΝ.**

**LEES DEZE INSTRUCTIES ZORGVULDIG VOOR INSTALLATIE.  
BEWAAR DEZE HANDLEIDING WAAR U HEM KAN TERUGVINDEN VOOR LATERE  
NASLAG.**

**LEIA COM ATENÇÃO ESTAS INSTRUÇÕES ANTES DE REALIZAR A INSTALAÇÃO.  
MANTENHA ESTE MANUAL AO SEU ALCANCE PARA FUTURAS CONSULTAS.**

**LÆS DISSE INSTRUKTIONER OMHYGGELIGT FØR INSTALLATION.  
OPBEVAR DENNE MANUAL PÅ ET TILGÆNGELIGT STED FOR FREMTIDIGE  
REFERENCER.**

**CONTENTS****En.**

SAFETY CONSIDERATIONS	1
BEFORE INSTALLATION	1
REMOTE CONTROLLER INSTALLATION	2
RECEIVER INSTALLATION	2
FIELD SETTING	4
TEST OPERATION	5

**INHALTSVERZEICHNIS****Ge.**

SICHERHEITSHINWEISE	6
VOR DER INSTALLATION	6
INSTALLATION DER FERNBEDIENUNG	7
INSTALLATION DES EMPFÄNGERS	7
ORTS-EINSTELLUNG	9
TESTBETRIEB	10

**TABLE DES MATIERES****Fr.**

CONSIDERATIONS DE SECURITE	11
AVANT L'INSTALLATION	11
INSTALLATION DE LA TELECOMMANDE	12
INSTALLATION DU RECEPTEUR	12
REGLAGE LOCAUX	14
ESSAI DE FONCTIONNEMENT	15

**INDICE****Sp.**

CUIDADOS PARA SU SEGURIDAD	16
ANTES DE INSTALAR	16
INSTALACION DEL CONTROL REMOTO	17
INSTALACION DEL RECEPTOR	17
AJUSTE LOCAL	19
FUNCIONAMIENTO DE PRUEBA	20

**INDICE****It.**

CONSIDERAZIONI PER LA SICUREZZA	21
PRIMA DELL'INSTALLAZIONE	21
INSTALLAZIONE DEL TELECOMANDO	22
INSTALLAZIONE DEL RICEVITORE	22
IMPOSTAZIONE SEL SISTEMA IN BASE AL POSTO DI INSTALLAZIONE	24
FUNZIONAMENTO DI PROVA	25

**ΠΕΡΙΕΧΟΜΕΝΑ****Gr.**

ΠΡΟΦΥΛΑΞΕΙΣ ΑΣΦΑΛΕΙΑ	26
ΠΡΙΝ ΑΠΟ ΤΗΝ ΕΓΚΑΤΑΣΤΑΣΗ	26
ΕΓΚΑΤΑΣΤΑΣΗ ΤΗΛΕΧΕΙΡΙΣΤΗΡΙΟΥ	27
ΕΓΚΑΤΑΣΤΑΣΗ ΤΟΥ ΔΕΚΤΗ	27
ΡΥΘΜΙΣΗ ΣΤΗ ΘΕΣΗ ΕΓΚΑΤΑΣΤΑΣΗΣ	29
ΔΟΚΙΜΑΣΤΙΚΗ ΛΕΙΤΟΥΡΓΙΑ	30

**INHOUD****Ne.**

VEILIGHEIDSOVERWEGINGEN	31
VOOR INSTALLATIE	31
INSTALLATIE VAN DE AFSTANDSBEDIENING	32
INSTALLATIE VAN DE ONTVANGER	32
HET VELD INSTELLEN	34
WERKINGSTEST	35

**ÍNDICE****Po.**

CONSIDERAÇÕES SOBRE SEGURANÇA	36
ANTES DA INSTALAÇÃO	36
INSTALAÇÃO DO CONTROLE REMOTO	37
INSTALAÇÃO DO RECEPTOR	37
AJUSTE DE CAMPO	39
FUNCIONAMENTO DE TESTE	40

**INDHOLD****Da.**

SIKKERHEDSREGLER	41
INDEN INSTALLATION	41
KLARGØRING AF DEN TRÅDLØSE FJERNBETJENING	42
KLARGØRING AF MODTAGER	42
INDSTILLING AF FUNKTIONEN FIELD	44
AFPRØVNING	45

# SAFETY CONSIDERATIONS

Please read this "SAFETY CONSIDERATIONS" carefully before installing air conditioning equipment and be sure to install it correctly. After completing the installation, make sure at start up operation that the unit operates properly. Please instruct the customer how to operate the unit and keep maintenance.

Meaning of caution symbols

- ⚠ CAUTION** ..... If the caution is not observed, it may cause injury or damage to equipment.
- NOTE** ..... These instructions will ensure proper use of the equipment.

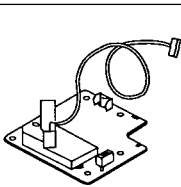


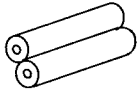
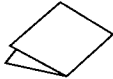

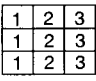
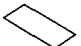
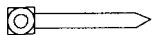
**⚠ CAUTION**

- Refer also to the installation manual attached to the indoor unit and the installation manual attached to the decoration panel.
- Confirm that following conditions are satisfied prior to installation.
  - \* Ensure that nothing interrupts the operation of the wireless remote controller. (Ensure that there is neither a source of light nor fluorescent lamp near the receiver. Also, ensure that the receiver is not exposed of direct sun light.)
  - \* Ensure that the operaiton display lamp and other indicators are easy to see.
- The installation position of this kit is 1 position of the decoration panel. Therefore, confirm that its position is set so that the single form the wireless remote controller can be easily transmitted and its display can be easily seen.
- If both this kit and fresh air intake kit are installed, only one duct chamber shall be used. Refer to the installation manual of the fresh air intake kit (optional hand book).

## BEFORE INSTALLATION

**ACCESSORIES**

Check if the following accessories are included with your unit.

Name	Shape	Quantity	Name	Shape	Quantity	Name	Shape	Quantity
Receiver		1 set	Remote controller holder		1 pc.	Screw for installing remote controller holder		2 pcs.
			Dry cell battery LR03 (AM4)		2 pcs.	Operation manual		1 pc.
Wireless remote controller		1 pc.	Unit No. label		1 pc.	Sealing pad	 20 x 35	1 pc.
						Binding band		1 pc.

**NOTE TO THE INSTALLER**

Be sure to instruct the customer how to properly operate the system showing him/her the attached operation manual.

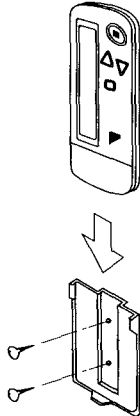
# REMOTE CONTROLLER INSTALLATION

## < Installing wireless remote controller >

- Do not throw the remote controller or impose large shocks. Also, do not store where it may be exposed to moisture or direct sunlight.
- When operating, point the transmitting part of the remote controller in the direction of the receiver.
- The direct transmitting distance of the remote controller is approximately 7 meters.
- The signal cannot be transmitted if something such as curtains blocks the receiver and the remote controller.

### • Installing to a wall or a pillar

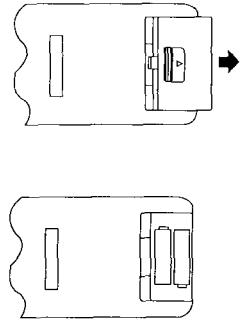
Slide the remote controller into the remote controller holder from the top.



Fix the remote controller holder with the screws.

### • How to insert the batteries

- ① Open the back cover of the remote controller by sliding it in the direction of the arrow.
- ② Insert the attached dry cell batteries. Properly insert, set the batteries by matching the (+) and (-) polarity marks as indicated. Then close the cover as before.



# RECEIVER INSTALLATION

## (1) Preparations before installation

Install this kit after installing the decoration panel.

- ① Remove the suction grille and the air filter according to the instructions in the installation manual attached to the decoration panel.
- ② Remove the control box lid according to the instructions in the installation manual attached to the indoor unit.

## (2) Determination of address and MAIN/SUB remote controller.

If setting multiple wireless remote controllers to operate in one room, perform address setting for the receiver and the wireless remote controller. If setting multiple wired remote controllers in one room, change the MAIN/SUB switch of the receiver.

## SETTING PROCEDURE

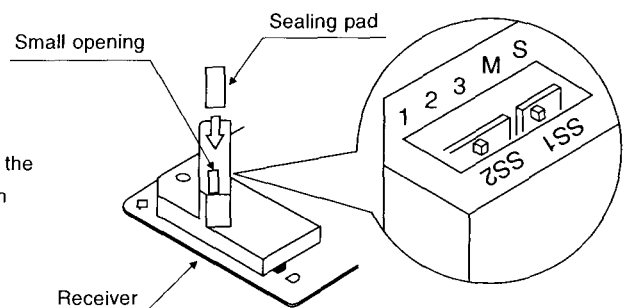
### ① Setting the receiver

Through the small opening on the back of the receiver, set the wireless address switch (SS2) on the printed circuit board according to the table below.

Unit No.	No. 1	No. 2	No. 3
Wireless address switch (SS2)			

When using both a wired and a wireless remote controller for 1 indoor unit, the wired controller should be set to MAIN. Therefore, set the MAIN/SUB switch (SS1) of the receiver to SUB.

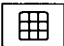
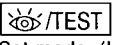



	MAIN	SUB
MAIN/SUB switch (SS1)		

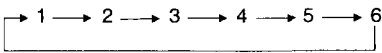



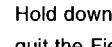
**After completing setting, seal off the opening of the address switch and the MAIN/SUB switch with the attached sealing pad.**

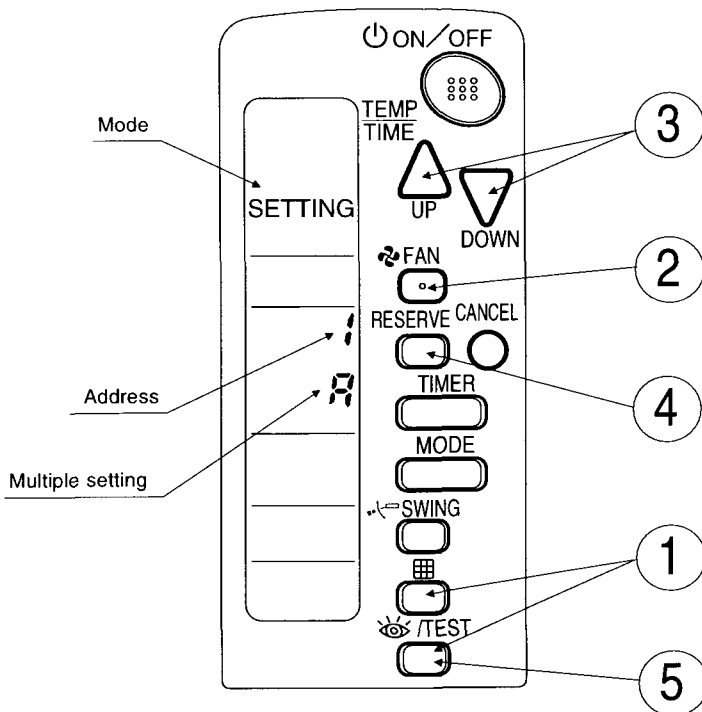
② **Setting the address of wireless remote controller (It is factory set to "1")**

( Setting from the remote controller )

- ① Hold down the  button and the  button for at least 4 seconds to get the Field Set mode. (Indicated in the display area in the figure at right).
- ② Press the  button and select a multiple setting (A/b). Each time the button is pressed the display switches between "A" and "b".
- ③ Press the "  " button and "  " button to set the address.
 



Address can be set from 1 to 6, but set it to 1 ~ 3 and to same address as the receiver. (The receiver does not work with address 4 ~ 6.)
- ④ Press the  button to enter the setting.
- ⑤ Hold down the  button for at least 1 second to quit the Field Set mode and return to the normal display.

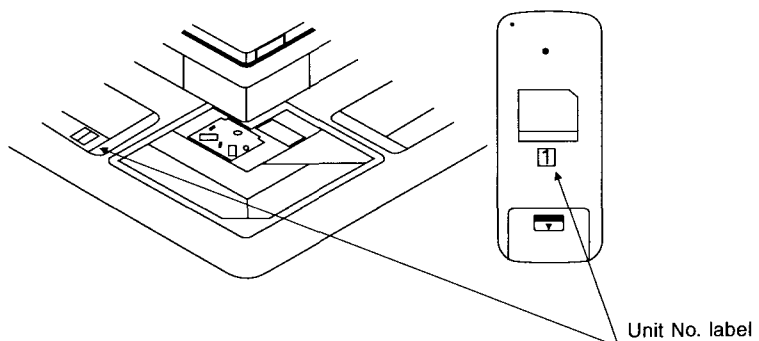


**< Multiple settings A/b >**

When the indoor unit is being operating by outside control (central remote controller, etc.), it sometimes does not respond to ON/OFF and temperature setting commands from this remote controller. Check what setting the customer wants and make the multiple setting as shown below.

Remote controller		Indoor unit	
Multiple setting	Remote controller display	To control other air conditions and units	For other than on left
A: Standard	All items displayed.	Commands other than ON/OFF and temperature setting accepted. (1 LONG BEEP or 3 SHORT BEEPS emitted)	
b: Multi System	Operations remain displayed shortly after execution.	All commands accepted (2 SHORT BEEPS)	

- ③ Stick the Unit No. label on the air outlet of the decoration panel and the back of the wireless remote controller.



**PRECAUTIONS**

Set the Unit No. of the receiver and the wireless remote controller to be equal. If the settings differs, the signal from the remote controller cannot be transmitted.

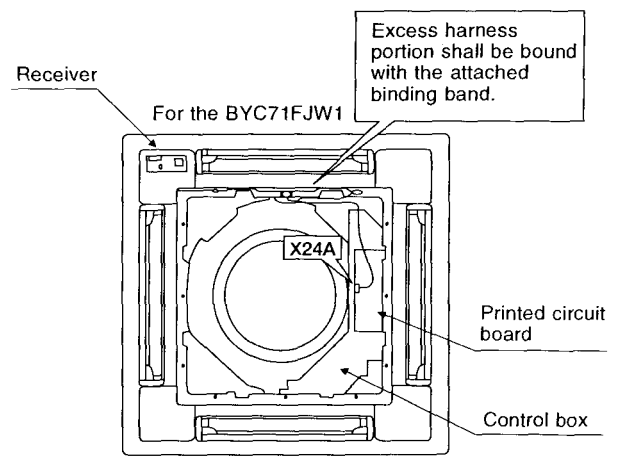
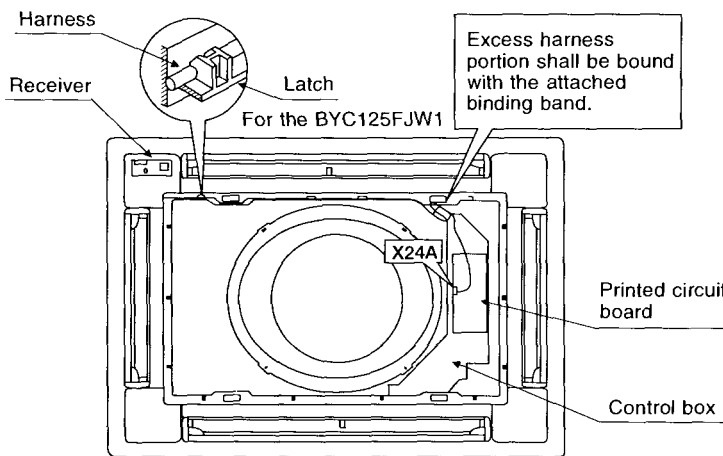
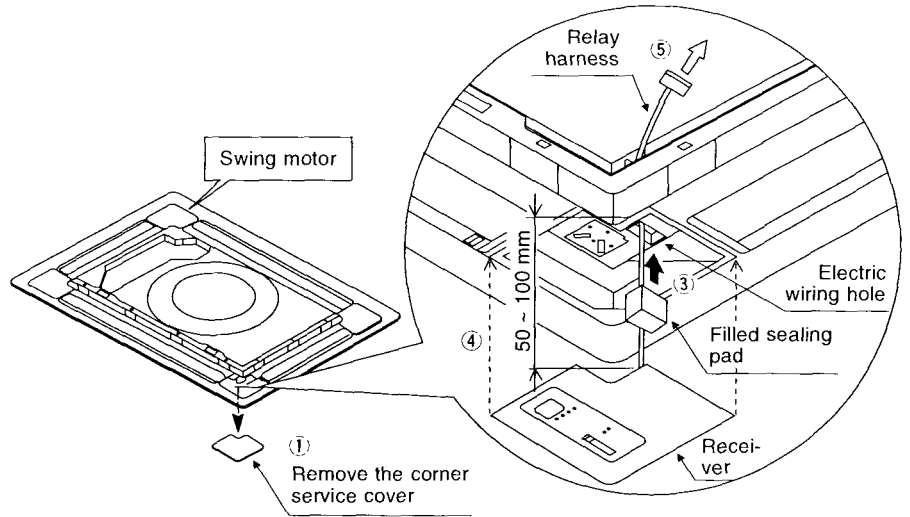
### (3) Installing the receiver

- Remove the corner service cover on the other side of the swing motor. The corner service cover is not needed.

(Refer to the installation manual attached to the decoration panel for attaching and detaching the service cover.)

**The receiver can only be installed at the corner.**

- Remove the sealing pad filled in the hole.
- Pass the relay harness from the receiver through the electric wiring hole until the length of the remaining part is 50 to 100 mm. Now, gently insert the sealing pad into the hole lightly.
- Attach the receiver by following the opposite procedure for removing the former corner service cover.
- Pull the relay harness in the direction of the arrow and prevent the harness from slacking.
- Hang the relay harness from the receiver on the latch of decoration panel latch and connect it to the connector (CN24) on the PC board assembly of the indoor unit. Bind the excess harness portion with the attached binding band.



- Install the cover of the indoor unit control box and the suction grille to the decoration panel.

## FIELD SETTING

(If optional accessories are mounted on the indoor unit, the indoor unit setting may have to be changed. Refer to the instruction manual (optional hand book) for each optional accessory.)

### Procedure

- When in the normal mode, press the **TEST** button for a minimum of four seconds, and the FIELD SET MODE is entered.
- Select the desired MODE NO. with the **MODE** button.
- Push the "UP" button and select the FIRST CODE NO.
- Push the "DOWN" button and select the SECOND CODE NO.
- Push the **RESERVE** button and the present settings are SET.
- Push the **TEST** button to return to the NORMAL MODE.

(Example) If the time to clean air filter is set to "Filter Contamination-Heavy", set Mode No. to "10", FIRST CODE NO. to "0", and SECOND CODE NO. to "02".

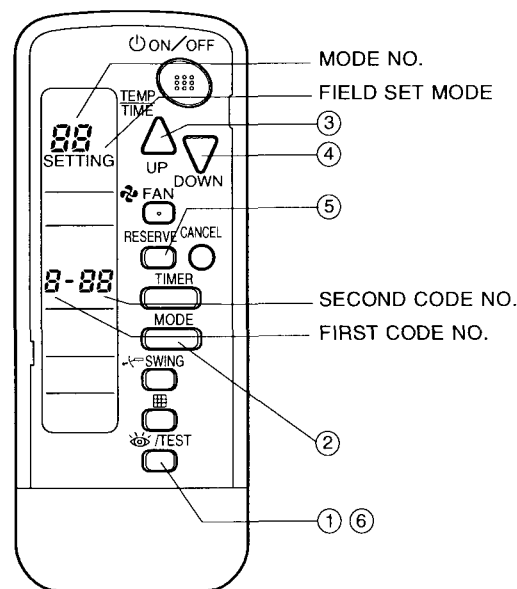
MODE NO.	FIRST CODE NO.	DESCRIPTION OF SETTING		SECOND CODE NO.			NOTE	
				01	02	03		
10	0	Filter Contamination-Heavy/Light (Setting for spacing time of display time to clean air filter) (Setting for when filter contamination is heavy, and spacing time of display time to clean air filter is to be halved)	Long Life Filter	Light	Approx. 2,500 hrs.	Heavy	Approx. 1,250 hrs.	—
	3	Spacing time of display time to clean air filter count (Setting for when the filter sign is not to be displayed)		Display		Do not display		—
11 (Sprit system)	0	Setting the number of connected simultaneous operation system indoor units.		Pair	Twin	Triple		
12 (VRV system)	1	ON/OFF input from outside (Set to enable starting/stopping from remote.)		Forced OFF input	ON/OFF	—		
	2	Thermostat differential changeover (Set when using remote controller thermostat sensor.)		1°C	0.5°C	—		
13	0	High ceiling setting (Setting for when installed in a ceiling higher than 2.7 m)		Normal	High Ceiling 1	High Ceiling 2		
	1	Selection of Air Flow Direction (Setting for when a blocking pad kit has been installed)		F	T	W		
	4	Air Flow Direction Range Setting		Upper	Normal	Lower		

NOTE) The SECOND CODE NO. is factory set to "01". However, for the following cases it is set to "02".

- Air Flow Direction Range Setting

Do not use any settings not listed in the table.

For group control with a wireless remote controller, initial settings for all the indoor units of the group are equal. (For group control, refer to the installation manual attached to the indoor unit for group control.)



## TEST OPERATION

- Perform test operation according to the instructions in the installation manual attached to the indoor unit.
- After refrigerant piping, drain piping, and electric wiring, operate according to the table to protect the unit.

### < PRECAUTIONS >

1. Refer to malfunction diagnosis label attached to the unit if it does not operate.
2. Refer to the installation manual attached to the outdoor unit for individual operation system types.

Order	Operation
(1)	Open gas side stop valve.
(2)	Open liquid side stop valve.
(3)	Electrify crank case heater for 6 hours. (Not necessary for cooling type units)
(4)	Set to cooling with the remote controller and push <b>ON/OFF</b> button to start operation.
(5)	Push <b>TEST</b> button twice and operate in TEST OPERATION mode for 3 minutes.
(6)	Push <b>SWING</b> button and confirm its operation.
(7)	Push <b>TEST</b> button and operate normally.
(8)	Confirm its function according to the operation manual.

