



INSTALLATION MANUAL

Wireless Remote Controller Kit

MODELS **BRC7C63W**
 BRC7C68W

READ THESE INSTRUCTIONS CAREFULLY BEFORE INSTALLATION.
KEEP THIS MANUAL IN A HANDY PLACE FOR FUTURE REFERENCE.

CONTENTS

| | |
|--------------------------------------|---|
| SAFETY CONSIDERATIONS | 1 |
| BEFORE INSTALLATION | 1 |
| REMOTE CONTROLLER INSTALLATION | 2 |
| RECEIVER INSTALLATION | 2 |
| FIELD SETTING | 5 |
| TEST OPERATION | 6 |

SAFETY CONSIDERATIONS

Please read this "SAFETY CONSIDERATIONS" carefully before installing air conditioning equipment and be sure to install it correctly. After completing the installation, make sure at start up operation that the unit operates properly. Please instruct the customer how to operate the unit and keep maintenance.

Meaning of caution symbols

- ⚠ CAUTION** If the caution is not observed, it may cause injury or damage to equipment.
- NOTE** These instructions will ensure proper use of the equipment.




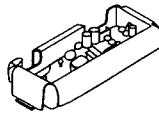
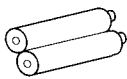


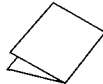

⚠ CAUTION

- Refer also to the installation manual attached to the indoor unit and the installation manual attached to the decoration panel.
- Confirm that following conditions are satisfied prior to installation.
 - * Ensure that nothing interrupts the operation of the wireless remote controller. (Ensure that there is neither a source of light nor fluorescent lamp near the receiver. Also, ensure that the receiver is not exposed of direct sun light.)
 - * Ensure that the operaiton display lamp and other indicators are easy to see.
- The installation position of this kit is 1 position of the decoration panel. Therefore, confirm that its position is set so that the single form the wireless remote controller can be easily transmitted and its display can be easily seen.

BEFORE INSTALLATION

ACCESSORIES

Check if the following accessories are included with your unit.

| Name | Shape | Quantity | Name | Shape | Quantity | Name | Shape | Quantity | | | | | | | | | |
|----------------------------|---|----------|------------------------------|---|----------|---|---|----------|---|---|---|---|---|-------|------------------|---|-------|
| Wireless display cover |  | 1 set | Remote controller holder |  | 1 pc. | Wire harness |  | 1 pc. | | | | | | | | | |
| Transmission PC board Assy |  | 1 set | Dry cell battery LR 03 (AM4) |  | 2 pcs. | Screw for installing remote controller holder |  | 2 pcs. | | | | | | | | | |
| Wireless remote controller |  | 1 pc. | Unit No. label | <table border="1" data-bbox="750 1444 874 1534"> <tr><td>1</td><td>2</td><td>3</td></tr> <tr><td>1</td><td>2</td><td>3</td></tr> <tr><td>1</td><td>2</td><td>3</td></tr> </table> | 1 | 2 | 3 | 1 | 2 | 3 | 1 | 2 | 3 | 1 pc. | Operation manual |  | 1 pc. |
| 1 | 2 | 3 | | | | | | | | | | | | | | | |
| 1 | 2 | 3 | | | | | | | | | | | | | | | |
| 1 | 2 | 3 | | | | | | | | | | | | | | | |
| | | | | | | Clamp |  | 2 pcs. | | | | | | | | | |

NOTE TO THE INSTALLER

Be sure to instruct the customer how to properly operate the system showing him/her the attached operation manual.

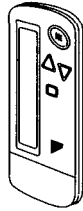
REMOTE CONTROLLER INSTALLATION

〈Installing wireless remote controller〉

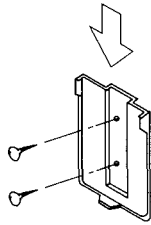
- Do not throw the remote controller or impose large shocks. Also, do not store where it may be exposed to moisture or direct sunlight.
- When operating, point the transmitting part of the remote controller in the direction of the receiver.
- The direct transmitting distance of the remote controller is approximately 12 meters.
- The signal cannot be transmitted if something such as curtains blocks the receiver and the remote controller.

• Installing to a wall or a pillar

Slide the remote controller into the remote controller holder from the top.

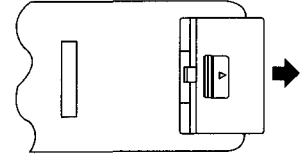


Fix the remote controller holder with the screws.

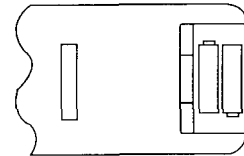


• How to insert the batteries

- ① Open the back cover of the remote controller by sliding it in the direction of the arrow.



- ② Insert the attached dry cell batteries. Properly insert, set the batteries by matching the (+) and (-) polarity marks as indicated. Then close the cover as before.



RECEIVER INSTALLATION

(1) Preparations before installation

Install this kit after electric wiring the indoor unit.

- ① Remove the suction grille, air filter, partition plate and decorative side panel (right-hand), referring to the installation manual provided with the indoor unit.
- ② Remove the steel wire and electric parts box lid, referring to the installation manual provided with the indoor unit.

(2) Determination of address and MAIN/SUB remote controller.

If setting multiple wireless remote controllers to operate in one room, perform address setting for the receiver and the wireless remote controller. (This is needed too for individual remote control in the group control mode, For the group control mode, see the installation manual provided with the indoor unit.) If setting multiple wired remote controllers in one room, change the MAIN/SUB switch of the receiver.

SETTING PROCEDURE

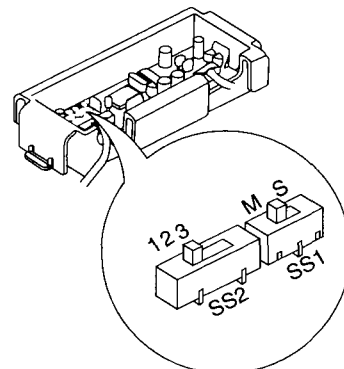
① Setting the receiver

Referring to the table below, set the wireless address switch (SS2) on the transmission PC board.

| Unit No. | No.1 | No.2 | No.3 |
|-------------------------------|------|------|------|
| Wireless address switch (SS2) | | | |


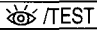

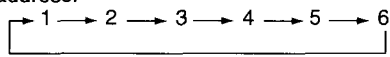
When using both a wired and a wireless remote controller for 1 indoor unit, the wired controller should be set to MAIN. Therefore, set the MAIN/SUB switch (SS1) of the receiver to SUB.


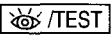
| | MAIN | SUB |
|-----------------------|------|-----|
| MAIN/SUB switch (SS1) | | |

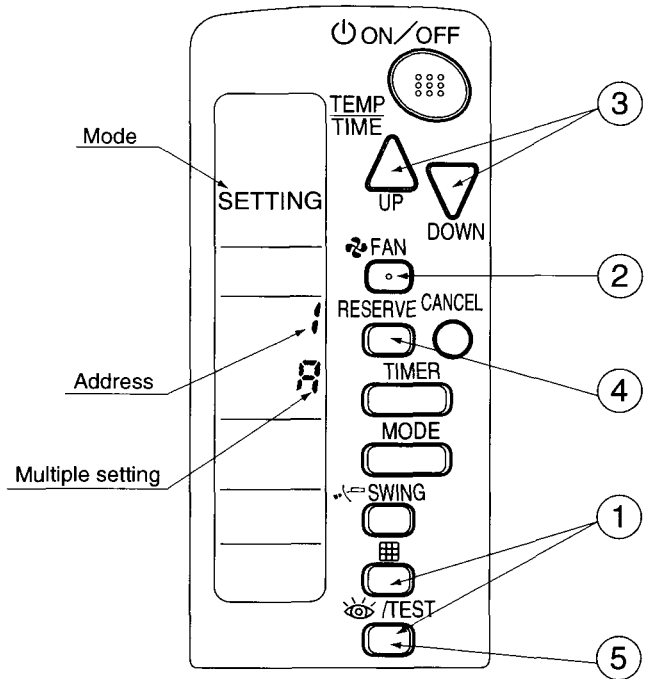


② **Setting the address of wireless remote controller (It is factory set to "1")**

〈Setting from the remote controller〉

- ① Hold down the  button and the  button for at least 4 seconds to get the Field Set mode. (Indicated in the display area in the figure at right).
- ② Press the  button and select a multiple setting (A/b). Each time the button is pressed the display switches between "A" and "b" .
- ③ Press the "▲" button and "▼" button to set the address.


Address can be set from 1 to 6, but set it to 1 ~ 3 and to same address as the receiver. (The receiver does not work with address 4 ~ 6.)
- ④ Press the  button to enter the setting.
- ⑤ Hold down the  button for at least 1 second to quit the Field Set mode and return to the normal display.

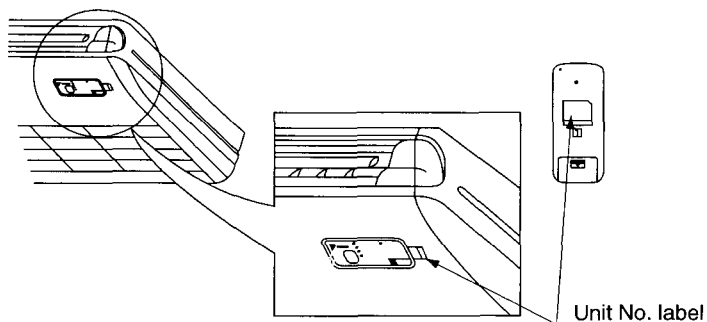


〈 **Multiple settings A/b** 〉

When the indoor is being operating by outside control (central remote controller, etc.), it sometimes does not respond to ON/OFF and temperature setting commands from this remote controller. Check what setting the customer wants and make the multiple setting as shown below.

| Remote controller | | Indoor unit | |
|-------------------|--|---|------------------------|
| Multiple setting | Remote controller display | To control other air conditions and units | For other than on left |
| A: Standard | All items displayed. | Commands other than ON/OFF and temperature setting accepted. (1 LONG BEEP or 3 SHORT BEEPS emitted) | |
| b: Multi System | Operations remain displayed shortly after execution. | All commands accepted (2 SHORT BEEPS) | |

- ③ Stick the Unit No. label at the indoor unit as well as on the back of the wireless remote controller.

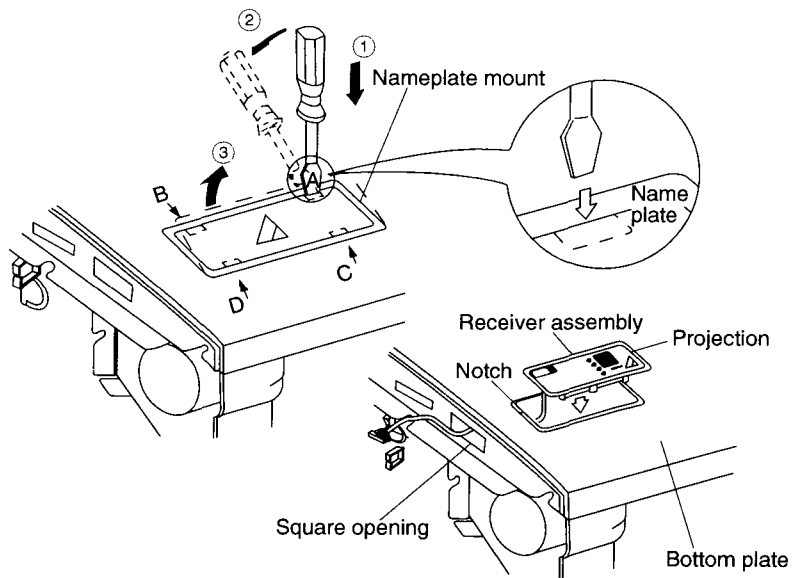


PRECAUTIONS
 Set the Unit No. of the receiver and the wireless remote controller to be equal. If the settings differs, the signal from the remote controller cannot be transmitted.

(3) Setting up the wireless display cover and the transmission PC board

(3-1) Installing the receiver assembly

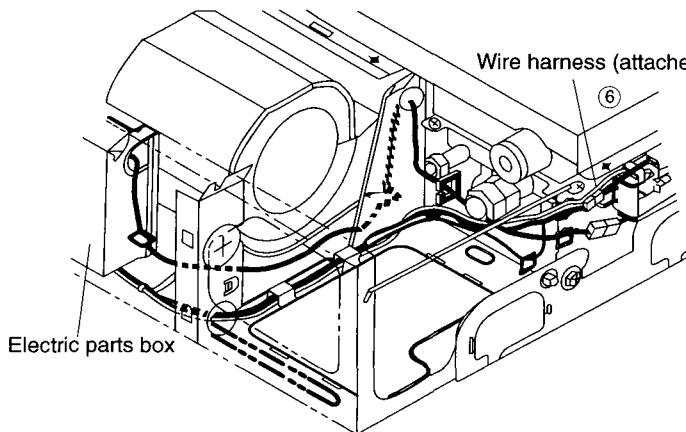
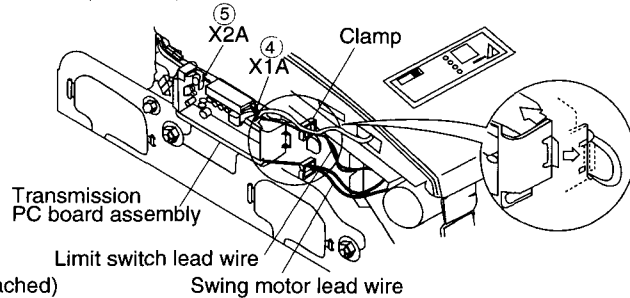
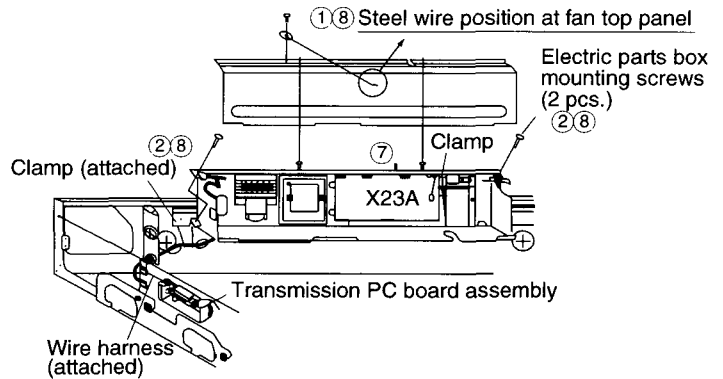
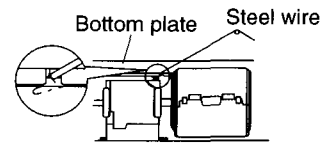
- Remove the nameplate mount off the indoor unit.
- ① Insert a wedge-head screwdriver into the ●-marked points (A and B) in the nameplate.
- ② Tilt down the screwdriver in the direction of arrow (for the two points A and B).
- ③ Pull the entire nameplate mount toward yourself to unhook the mount.
- ④ Do the same to the remaining two points (C and D).
- ⑤ Now remove the entire nameplate. (The nameplate mount is no longer required.)



- Installing the receiver assembly.
Pass the wire harness of the receiver assembly through the square opening. Put the receiver assembly into position in the direction of arrow. (Fit the receiver assembly's projection in the bottom plate's notch.)

(3-2) Installing the transmission PC board assembly

- Remove the electric parts box cover and steel wire from behind the indoor unit.
- Remove the two screws from the indoor unit electric parts box. Take out the electric parts box.
- Place the transmission PC board assembly at the right side of the indoor unit. Lay the swing motor lead wire and limit switch lead wire as shown below.
- Connect the receiver assembly's wire harness to the connector (X1A) on the transmission PC board assembly. Fix the wire with the clamp on the indoor unit.
- Connect the attached wire harness to the connector (X2A) on the transmission PC board assembly.
- Lay the wire from the transmission PC board assembly to the electric parts box.
- Connect the wire to the connector (X23A) on the indoor unit PC board assembly that is located in the electric parts box. (Bind the excess harness with the attached clamp.)
- Place the electric parts box, its cover, and steel wire back into their positions.






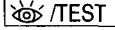
(3-3) Installing the suction grille and air filter

- Place the decorative side panel (right-hand), partition plate, suction grille and air filter back into position in the reverse order. See the installation manual provided with the indoor unit.

FIELD SETTING

(If optional accessories are mounted on the indoor unit, the indoor unit setting may have to be changed. Refer to the instruction manual (optional hand book) for each optional accessory.)

Procedure

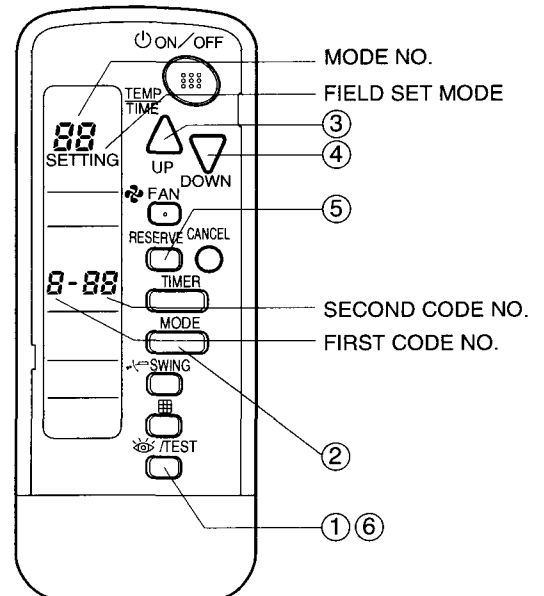
- ① When in the normal mode, push the “  /TEST ” button for a minimum of four seconds, and the FIELD SET MODE is entered.
- ② Select the desired MODE NO. with the “MODE” button.
- ③ Push the “  ” button and select the FIRST CODE NO.
- ④ Push the “  ” button and select the SECOND CODE NO.
- ⑤ Push the “RESERVE” button and the present settings are SET.
- ⑥ Push the “  /TEST ” button to return to the NORMAL MODE.

(Example) If the time to clean air filter is set to “Filter Contamination-Heavy”, set Mode No. to “10”, FIRST CODE NO. to “0”, and SECOND CODE NO. to “02”

| MODE NO. | FIRST CODE NO. | DESCRIPTION OF SETTING | | SECOND CODE NO. NOTES) 1. | | | |
|----------|----------------|---|------------------|---------------------------|--------------------|--------------------------------|-------------------|
| | | | | 01 | | 02 | |
| 10 | 0 | Filter Contamination-Heavy/Light (Setting for spacing time of display time to clean air filter) (Setting for when filter contamination is heavy, and spacing time of display time to clean air filter is to be halved) | Long Life Filter | Light | Approx. 2,500 hrs. | Heavy | Approx. 1,250 hrs |
| | 3 | Spacing time of display time to clean air filter count (Setting for when the filter sign is not to be displayed) | | Display | | Do not display | |
| 12 | 1 | ON/OFF input from Outside (Setting for when forced ON/OFF is to be operated from outside.) | | Forced Off | | ON/OFF Operation | |
| | 2 | Thermostat Differential Changeover (Setting for when using the remote sensor) | | 1°C | | 0.5°C | |
| 13 | 0 | High air outlet velocity (Setting for when installed in a high ceiling) | | 2.7 m or less | | More than 2.7 m ;3.5 m or less | |

NOTES)

1. The SECOND CODE NO. is factory set to “01” .
2. Do not use any settings not listed in the table.
3. For group control with a wireless remote controller, initial settings for all the indoor units of the group are equal.
(For group control, refer to the installation manual attached to the indoor unit for group control.)



TEST OPERATION

- Perform test operation according to the instructions in the installation manual attached to the indoor unit.
- After refrigerant piping, drain piping, and electric wiring, operate according to the table to protect the unit.

〈PRECAUTIONS〉

Refer to malfunction diagnosis label attached to the unit if it does not operate.

| Order | Operation |
|-------|---|
| (1) | Open gas side stop valve. |
| (2) | Open liquid side stop valve. |
| (3) | Electrify crank case heater for 6 hours. |
| (4) | Set to cooling with the remote controller and push ON/OFF button to start operation. |
| (5) | Push TEST button twice and operate in TEST OPERATION mode for 3 minutes. |
| (6) | Push SWING button and confirm its operation. |
| (7) | Push TEST button and operate normally. |
| (8) | Confirm its function according to the operation manual. |

