



technical data

FBQ-B8V1-B8V3B

air conditioning systems

Split
Sky Air

R-410A

Split - Sky Air

In all of us,
a green heart



Daikin's unique position as a manufacturer of air conditioning equipment, compressors and refrigerants has led to its close involvement in environmental issues. For several years Daikin has had the intention to become a leader in the provision of products that have limited impact on the environment. This challenge demands the eco design and development of a wide range of products and an energy management system, resulting in energy conservation and a reduction of waste.



ISO14001 assures an effective environmental management system in order to help protect human health and the environment from potential impact of our activities, products and services and to assist in maintaining and improving the quality of the environment.



Daikin Europe N.V. is approved by LRQA for its Quality Management System in accordance with the ISO9001 standard. ISO9001 pertains to quality assurance regarding design, development, manufacturing as well as to services related to the product.

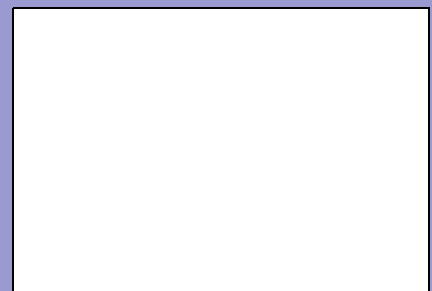


Daikin units comply with the European regulations that guarantee the safety of the product.



Daikin Europe N.V. participates in the Eurovent Certification Programme for Air Conditioners (AC), Liquid Chilling Packages (LCP) and Fan Coil units (FC); the certified data of certified models are listed in the Eurovent Directory.

"The present publication is drawn up by way of information only and does not constitute an offer binding upon Daikin Europe N.V. Daikin Europe N.V. has compiled the content of this publication to the best of its knowledge. No express or implied warranty is given for the completeness, accuracy, reliability or fitness for particular purpose of its content and the products and services presented therein. Specifications are subject to change without prior notice. Daikin Europe N.V. explicitly rejects any liability for any direct or indirect damage, in the broadest sense, arising from or related to the use and/or interpretation of this publication. All content is copyrighted by Daikin Europe N.V."



DAIKIN EUROPE N.V.

Naamloze Vennootschap

Zandvoordestraat 300

B-8400 Ostend, Belgium

www.daikin.eu

BTW: BE 0412 120 336

RPR Oostende





technical data

FBQ-B8V1-B8V3B

air conditioning systems

Split
Sky Air

R-410A

TABLE OF CONTENTS

FBQ-B8V1_FBQ-B8V3B

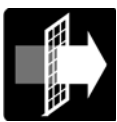













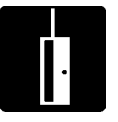
1	Features	5
2	Specifications	6
	For indoor units only	6
	Technical Specifications	6
	Electrical Specifications	7
3	Safety device settings	8
4	Options	9
5	Control systems	10
6	Dimensional drawing & centre of gravity	11
	Dimensional drawing	11
	Centre of gravity	14
7	Piping diagram	15
8	Wiring diagram	16
	Wiring diagram	16
9	Sound data	18
	Sound pressure spectrum	18
10	Fan characteristics	19
11	Installation	21
	Installation method	21
	Filter installation method	23
	Switch box connection	25

1 Features

- Lightweight and compact
- Slim design for flexible installation
- Blends unobtrusively with any interior décor: only the suction and discharge grilles are visible
- The position of individual air discharge grilles can be altered, enabling efficient temperature distribution, even in irregularly shaped rooms.
- Optimum air distribution
- Quiet operation
- Maximum external static pressure (ESP) is 88Pa

1



								
heat pump		AUTO	optional	standard	DRY			2 steps
								
			35~60		optional			

2 Specifications

2-1 FOR INDOOR UNITS ONLY			FBQ35B8V1	FBQ50B8V1	FBQ60B8V1	FBQ71B8V3B	FBQ100B8V3B	FBQ125B8V3B	FBQ140B8V3B
Nominal input (Indoor only)	Cooling	kW	0.065	0.085	0.125				
	Heating	kW	0.065	0.085	0.125				

2-2 TECHNICAL SPECIFICATIONS				FBQ35B8V1	FBQ50B8V1	FBQ60B8V1	FBQ71B8V3B	FBQ100B8V3B	FBQ125B8V3B	FBQ140B8V3B	
Casing	Colour			White			Non painted	Non painted	Non painted	Non painted	
	Material			Galvanised steel plate	Galvanised steel plate	Galvanised steel plate	Galvanised steel	Galvanised steel	Galvanised steel	Galvanised steel	
Dimensions	Packing	Height	mm	400	400	400	400	400	400	400	
		Width	mm	931	931	1231	1231	1631	1631	1631	
		Depth	mm	991	991	991	991	991	991	991	
	Unit	Height	mm	300	300	300	300	300	300	300	
		Width	mm	700	700	1000	1000	1400	1400	1400	
		Depth	mm	800	800	800	800	800	800	800	
Weight	Unit		kg	30	31	41	41.0	51.0	52.0	52.0	
	Packed Unit		kg	41	42	50	47.0	58.0	59.0	59.0	
Required Ceiling Void			mm				350	350	350	350	
Heat Exchanger	Dimensions	Length	mm	450	450	750	750	1150	1150	1150	
		Nr of Rows			3	3	3	3	3	3	3
		Fin Pitch	mm	1.75	1.75	1.75	1.75	1.75	1.75	1.75	
		Nr of Passes			4	6	6	7	13	13	13
		Face Area	m ²	0.132	0.132	0.221	0.221	0.338	0.338	0.338	
		Nr of Stages			14	14	14	14	14	14	14
		Empty Tubeplate Hole			4		14				
	Tube type			Hi-XA (7)	Hi-XA (7)	Hi-XA (7)	Hi-XSS (7)	Hi-XSS (7)	Hi-XSS (7)	Hi-XSS (7)	
Fin	Type	Rhombus									
	Treatment					Hydrophilic	Hydrophilic	Hydrophilic	Hydrophilic		
Fan	Type			Sirocco fan							
	Quantity			1	1	1	2	3	3	3	
Air Flow Rate	Cooling	High	m ³ /min	11.5	14	19	19.00	27.00	35.00	35.00	
		Low	m ³ /min	9	10	14	14.00	20.00	24.00	24.00	
	Heating	High	m ³ /min	11.5	14	19	19.00	27.00	35.00	35.00	
		Low	m ³ /min	9	10	14	14.00	20.00	24.00	24.00	
Fan	Max	High	Pa	88	88	88	86	86	86	86	
		Standard	Pa	49	49	49	48	48	48	48	
		Low	Pa	20	20	20	20				
	Motor	Quantity			1	1	1	1	1	1	1
		Number of steps			2	2	2	3	3	3	3
		Output (high)	W	65	85	125	125	135	225	225	
Drive			Direct drive								
Cooling	Sound Power	High	dBA	52	53	60	60.0	62.0	63.0	63.0	
		Low	dBA	29	29	30	30.0	31.0	32.0	32.0	
	Sound Pressure	High	dBA	33	33	34	34.0	36.0	38.0	38.0	
Heating	Sound Power	High	dBA	52	53	60					
		Low	dBA	29	29	30	30.0	31.0	32.0	32.0	
	Sound Pressure	High	dBA	33	33	34	34.0	36.0	38.0	38.0	
Refrigerant			R-410A								
Piping connections	Liquid (OD)	Type					Flare connection	Flare connection	Flare connection	Flare connection	
		Diameter (OD)	mm	6.4	6.4	6.4	9.5	9.5	9.5	9.5	
	Gas	Type					Flare connection	Flare connection	Flare connection	Flare connection	
		Diameter (OD)	mm	9.5	12.7	12.7	15.9	15.9	15.9	15.9	
	Drain	Diameter (OD)	mm	32	32	32	VP25 (I.D. 25/O.D. 32)	VP25 (I.D. 25/O.D. 32)	VP25 (I.D. 25/O.D. 32)	VP25 (I.D. 25/O.D. 32)	
	Heat Insulation			Both liquid and gas pipes							
Drain-up Height			mm				625	625	625	625	

2 Specifications

2

2-2 TECHNICAL SPECIFICATIONS				FBQ35B8V1	FBQ50B8V1	FBQ60B8V1	FBQ71B8V3B	FBQ100B8V3B	FBQ125B8V3B	FBQ140B8V3B	
Decoration Panel	Model			BYBS45D	BYBS45D	BYBS71D	BYBS71DJW1	BYBS125DJW1	BYBS125DJW1	BYBS125DJW1	
	Colour			White							
	Dimensions	H	mm	55	55	55	55	55	55	55	55
		W	mm	800	800	1100	1100	1500	1500	1500	1500
		D	mm	500	500	500	500	500	500	500	500
Weight		kg	3.5	3.5	4.5	4.5	6.5	6.5	6.5	6.5	
Air Filter				Resin net with mold resistance							
Air direction control				Up and downwards							
Temperature control				Computerized control			Microprocessor thermostat for cooling and heating				
Safety Devices				Inline fuse			Fan motor thermal fuse				
Inline fuse				Inline fuse							
Standard Accessories	Item			Installation and operation manual			Metal clamp for drain hose				
	Quantity			1	1	1	1	1	1	1	
	Item			Drain hose			Paper pattern for installation				
	Quantity						1	1	1	1	
	Item			Metal clamp for drain hose			Drain hose				
	Quantity						1	1	1	1	
	Item			Washer for hanger bracket			Insulation for fitting				
	Quantity						2	2	2	2	
	Item			Screws			Washer for hanger bracket				
	Quantity						8	8	8	8	
	Item			Insulation for piping			Screws for duct flanges				
	Quantity						12	12	12	12	
	Item						Paper pattern fixing screws				
	Quantity						6	6	6	6	
	Item						Installation and operation manual				
Quantity						1	1	1	1		
Notes				Sound values are measured in an anechoic room.							
				Sound pressure level is a relative value, depending on the distance and acoustic environment. For more details, please refer to sound level drawings of this chapter.							
				The sound power level is an absolute value indicating the power which a sound source generates.							
				The sound pressure level is measured via a microphone at 1m distance of the unit.							

2-3 ELECTRICAL SPECIFICATIONS				FBQ35B8V1	FBQ50B8V1	FBQ60B8V1	FBQ71B8V3B	FBQ100B8V3B	FBQ125B8V3B	FBQ140B8V3B
Power Supply	Name			V1	V1	V1	V3	V3	V3	V3
	Phase			1	1	1	1	1	1	1
	Frequency		Hz	50	50	50	50	50	50	50
	Voltage		V	230	230	230	230	230	230	230
Current	Nominal running current (RLA)	Cooling	A	0.5	0.7	0.9				
		Heating	A	0.5	0.7	0.9				
Voltage range	Minimum			-10%						
	Maximum			+10%						
Power Supply Intake				Outdoor unit only						

7

3 Safety device settings

Model	Safety devices	35	45 - 50	60	71	100	125	140
FBQ-B	Fuse	5A/250V	5A/250V	5A/250V	—	—	—	—
	Fan motor thermal fuse (°C)	152±2	152±2	152±2	152±2	152±2	152±2	152±2
	Fan motor thermal protector (°C)	—	—	—	—	—	—	—
3TW21009-2G								

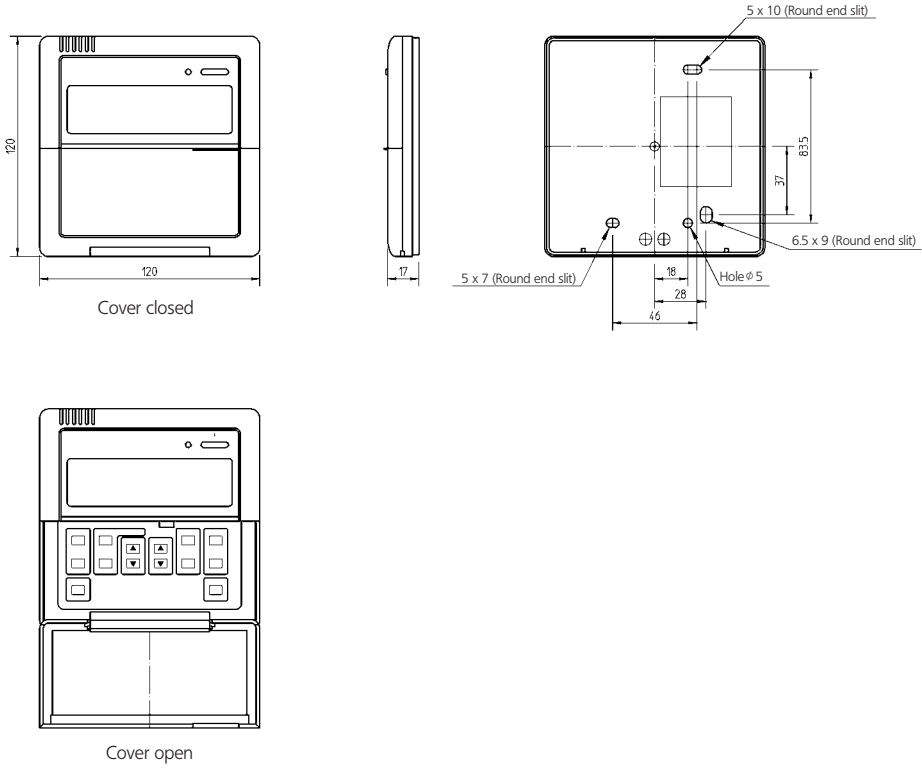
4 Options

4

FBQ-B					
Nr	Item		FBQ35,50	FBQ60,71	FBQ100,125,140
1	Panel related	Decoration panel	BYBS45D	BYBS71D	BYBS125D
		Service access panel	KTBJ25K56W	KTBJ25K80W	KTBJ25K160W
2	Filter related	High-efficiency filter 65% (colorimetric method) *1	KAFJ252L56	KAFJ252L80	KAFJ252L160
		High-efficiency filter 90% (colorimetric method) *1	KAFJ253L56	KAFJ253L80	KAFJ253L160
		Filter chamber for bottom suction	KAJ25L56D	KAJ25L80D	KAJ25L160D
		Filter chamber for rear suction	KAJ25L56B	KAJ25L80B	KAJ25L160B
3	Air inlet and air discharge outlet related	Air suction canvas	KSA-25K56	KSA-25K80	KSA-25K160
		Blind board/screening door	KBBJ25K56	KBBJ25K80	KBBJ25K160
		Air discharge adapter for round duct	KDAJ25K56	KDAJ25K71	KDAJ25K140
Nr	Item	Type	FBQ35,50	FBQ60,71	FBQ100,125,140
1	Remote control	Wired type	BRC1D52		
2	Central remote control		DCS302C51		
3	Unified ON/OFF control		DCS301B51		
4	Schedule timer		DST301B51		
5	Adapter for wiring (interlock for fresh air intake fan)		KRP1B54		
6	Wiring adaptor for electrical appendices		KRP4A51		
7	Interface adapter for Sky Air series		DTA112B51		
8	Remote ON/OFF, forced OFF		EKRORO		
9	Option PCB for external electrical heater, humidifier and/or hour meter *2		EKRP1B2		
3TW25119-1F					
<p>*1 If installing a high efficiency filter on the unit, an assembly chamber for either bottom or rear suction is required.</p> <p>*2 Electrical heater, humidifier and hour meter are field supply. These parts should not be installed inside the equipment. (Refer to installation manual EKRP1B2).</p>					

5 Control systems

BRC1D52

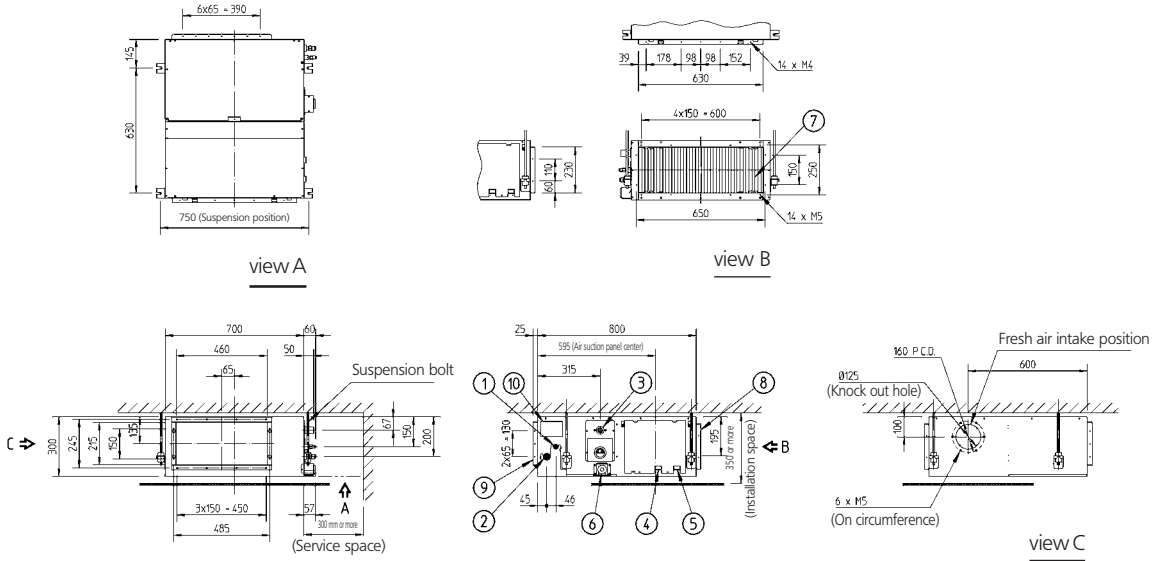


3TW23651-2

6 Dimensional drawing & centre of gravity

6 - 1 Dimensional drawing

FBQ35-50B



Notes:

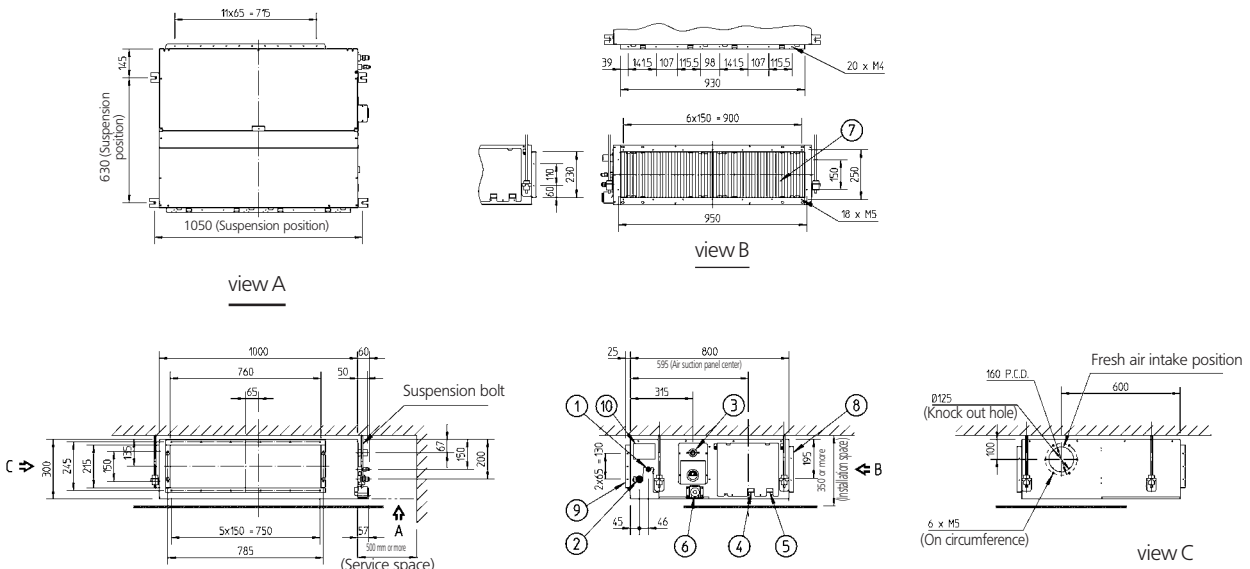
1. Refer to 'outlook drawing for installing optional accessories' when installing optional accessories.
2. The required ceiling depth varies according to configuration of the specific system.
3. For maintenance of the air filter, it is necessary to provide a service access panel according to the installation method. (Refer to the 'filter installation method' drawing)

- 1 Liquid pipe connection ϕ A Flare connection
- 2 Gas pipe connection ϕ B Flare connection
- 3 Drain pipe connection VP25 (I.D. ϕ 32, I.D. ϕ 25)
- 4 Remote control wiring connection
- 5 Power supply connection
- 6 Drain hole VP25 (I.D. ϕ 32, I.D. ϕ 25)
- 7 Air filter
- 8 Air suction side
- 9 Air discharge side
- 10 Name plate

Model	A	B
FBQ35	6.35	9.52
FBQ50	6.35	12.70

3TW22224-1C

FBQ60-71B



Notes:

1. Refer to 'outlook drawing for installing optional accessories' when installing optional accessories.
2. The required ceiling depth varies according to configuration of the specific system.
3. For maintenance of the air filter, it is necessary to provide a service access panel according to the installation method. (Refer to the 'filter installation method' drawing)

- 1 Liquid pipe connection ϕ A Flare connection
- 2 Gas pipe connection ϕ B Flare connection
- 3 Drain pipe connection VP25 (I.D. ϕ 32, I.D. ϕ 25)
- 4 Remote control wiring connection
- 5 Power supply connection
- 6 Drain hole VP25 (I.D. ϕ 32, I.D. ϕ 25)
- 7 Air filter
- 8 Air suction side
- 9 Air discharge side
- 10 Name plate

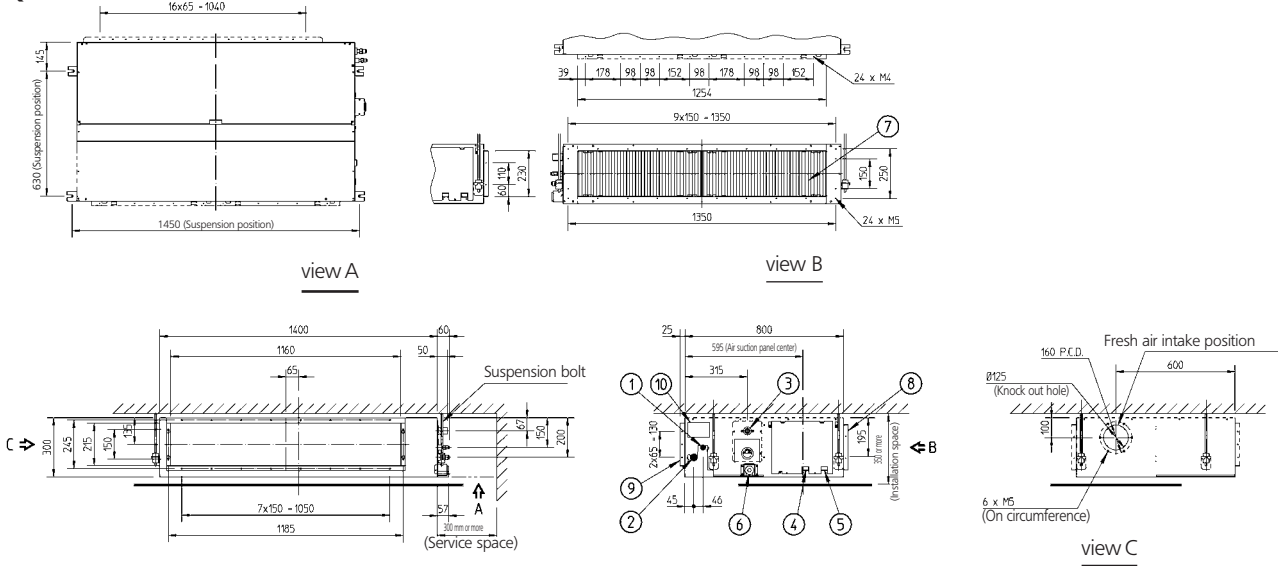
Model	A	B
FBQ60	6.35	12.70
FBQ71	9.52	15.90

3TW22244-1D

6 Dimensional drawing & centre of gravity

6 - 1 Dimensional drawing

FBQ100-125-140B



Notes:

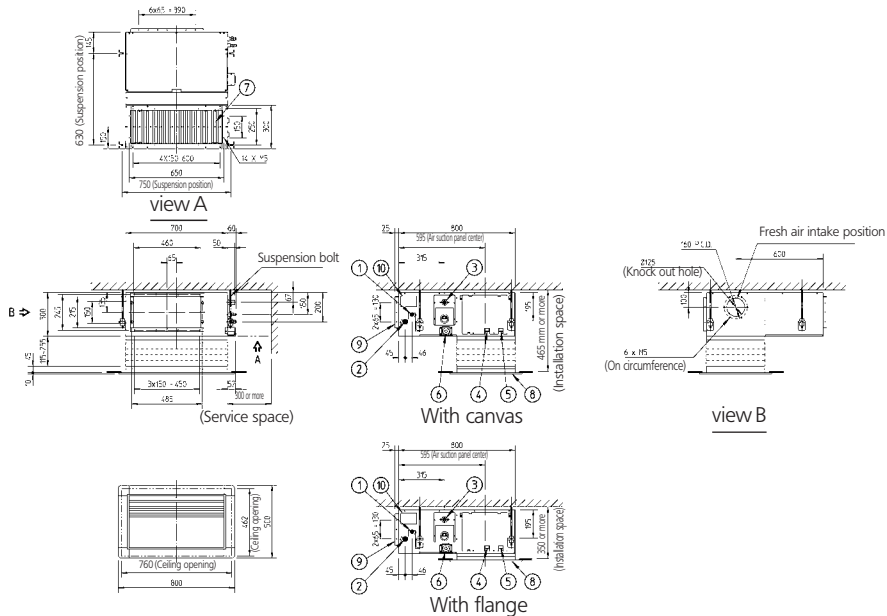
1. Refer to 'outlook drawing for installing optional accessories' when installing optional accessories.
2. The required ceiling depth varies according to configuration of the specific system.
3. For maintenance of the air filter, it is necessary to provide a service access panel according to the installation method. (Refer to the 'filter installation method' drawing)

- 1 Liquid pipe connection ϕ A Flare connection
- 2 Gas pipe connection ϕ B Flare connection
- 3 Drain pipe connection VP25 (I.D. ϕ 32, I.D. ϕ 25)
- 4 Remote control wiring connection
- 5 Power supply connection
- 6 Drain hole VP25 (I.D. ϕ 32, I.D. ϕ 25)
- 7 Air filter
- 8 Air suction side
- 9 Air discharge side
- 10 Name plate

Model	A	B
FBQ100	9.52	15.90
FBQ125,140	9.52	15.90

3TW22254-1D

FBQ35-50B With canvas



Notes:

1. Refer to 'outlook drawing for installing optional accessories' when installing optional accessories.
2. Optional decoration panel : BY845DAW/1 (Light ivory white 10Y9/0.5)
3. The required ceiling depth varies according to configuration of the specific system

- 1 Liquid pipe connection ϕ A Flare connection
- 2 Gas pipe connection ϕ B Flare connection
- 3 Drain pipe connection VP25 (I.D. ϕ 32, I.D. ϕ 25)
- 4 Remote control wiring connection
- 5 Power supply connection
- 6 Drain hole VP25 (I.D. ϕ 32, I.D. ϕ 25)
- 7 Air filter
- 8 Air suction side
- 9 Air discharge side
- 10 Name plate

Model	A	B
FBQ35	6.35	9.52
FBQ50	6.35	12.70

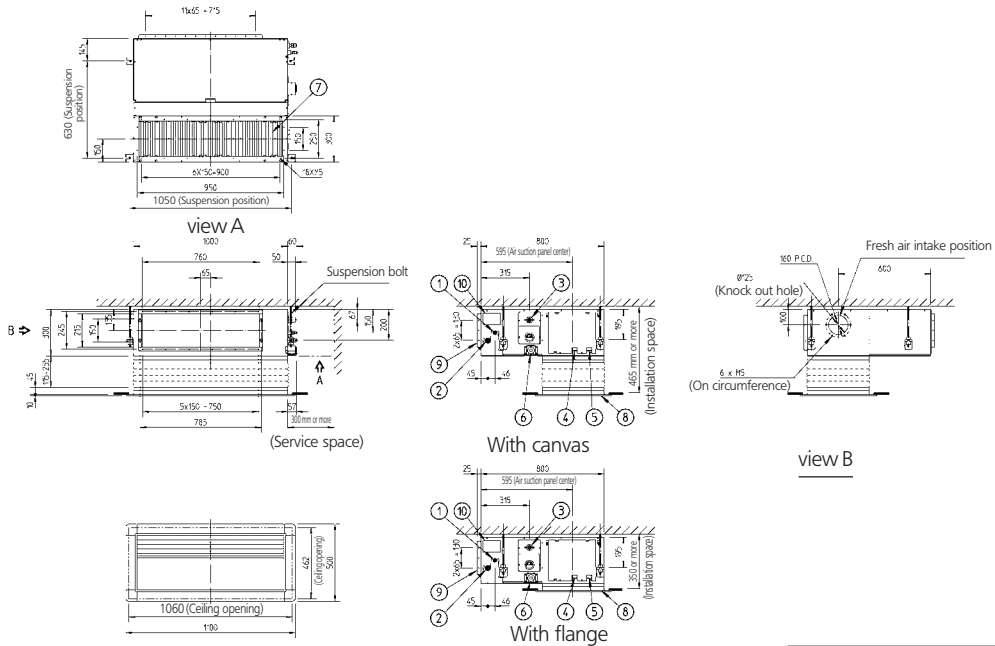
3TW22224-2C

6 Dimensional drawing & centre of gravity

6 - 1 Dimensional drawing

6

FBQ60-71B With canvas



Notes:

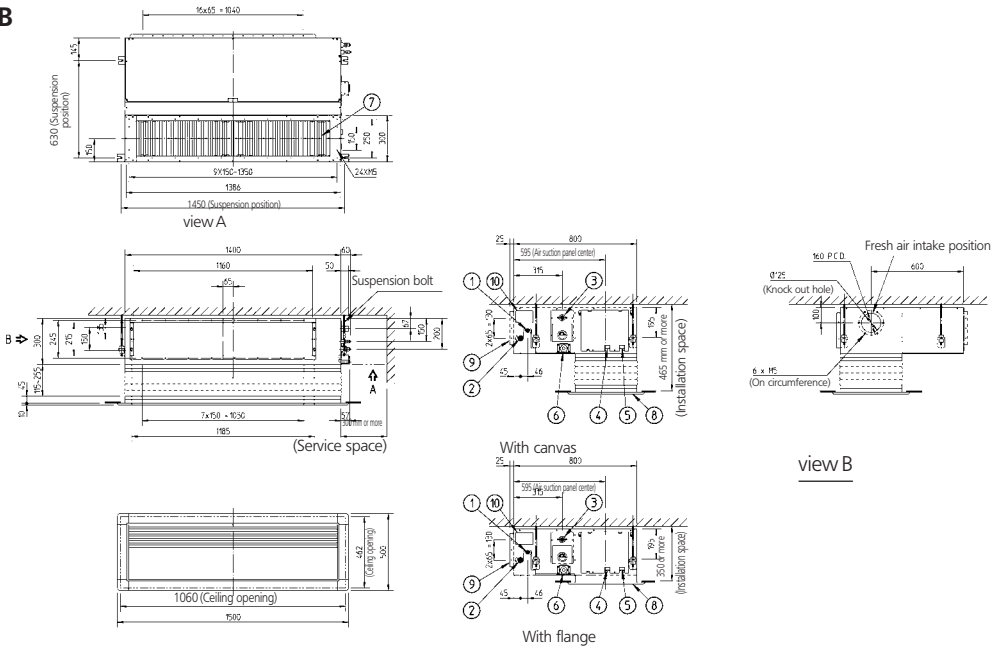
1. Refer to 'outlook drawing for installing optional accessories' when installing optional accessories.
2. Optional decoration panel : BYBS125DAW1 (Light ivory white 10Y9/0.5)
3. The required ceiling depth varies according to configuration of the specific system

- 1 Liquid pipe connection ϕ A Flare connection
- 2 Gas pipe connection ϕ B Flare connection
- 3 Drain pipe connection VP25 (I.D. ϕ 32, I.D. ϕ 25)
- 4 Remote control wiring connection
- 5 Power supply connection
- 6 Drain hole VP25 (I.D. ϕ 32, I.D. ϕ 25)
- 7 Air filter
- 8 Air suction side
- 9 Air discharge side
- 10 Name plate

Model	A	B
FBQ60	6.35	12.70
FBQ71	9.52	15.90

3TW22244-2D

FBQ100-125-140B With canvas



Notes:

1. Refer to 'outlook drawing for installing optional accessories' when installing optional accessories.
2. Optional decoration panel : BYBS125DAW1 (Light ivory white 10Y9/0.5)
3. The required ceiling depth varies according to configuration of the specific system

- 1 Liquid pipe connection ϕ A Flare connection
- 2 Gas pipe connection ϕ B Flare connection
- 3 Drain pipe connection VP25 (I.D. ϕ 32, I.D. ϕ 25)
- 4 Remote control wiring connection
- 5 Power supply connection
- 6 Drain hole VP25 (I.D. ϕ 32, I.D. ϕ 25)
- 7 Air filter
- 8 Air suction side
- 9 Air discharge side
- 10 Name plate

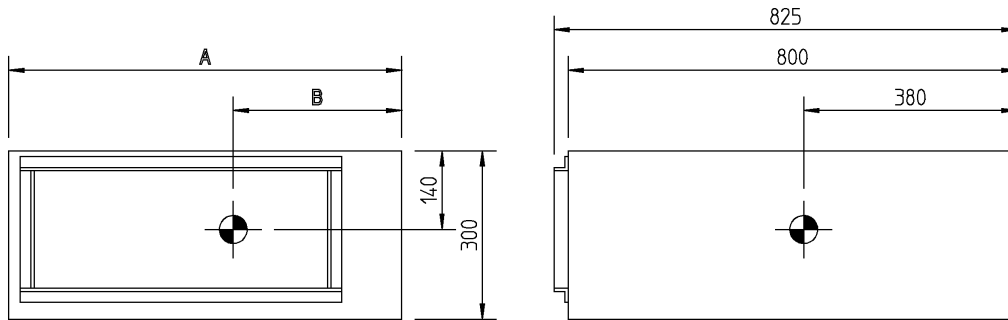
Model	A	B
FBQ100	9.52	15.90
FBQ125,140	9.52	15.90

3TW22254-2D

6 Dimensional drawing & centre of gravity

6 - 2 Centre of gravity

FBQ-B

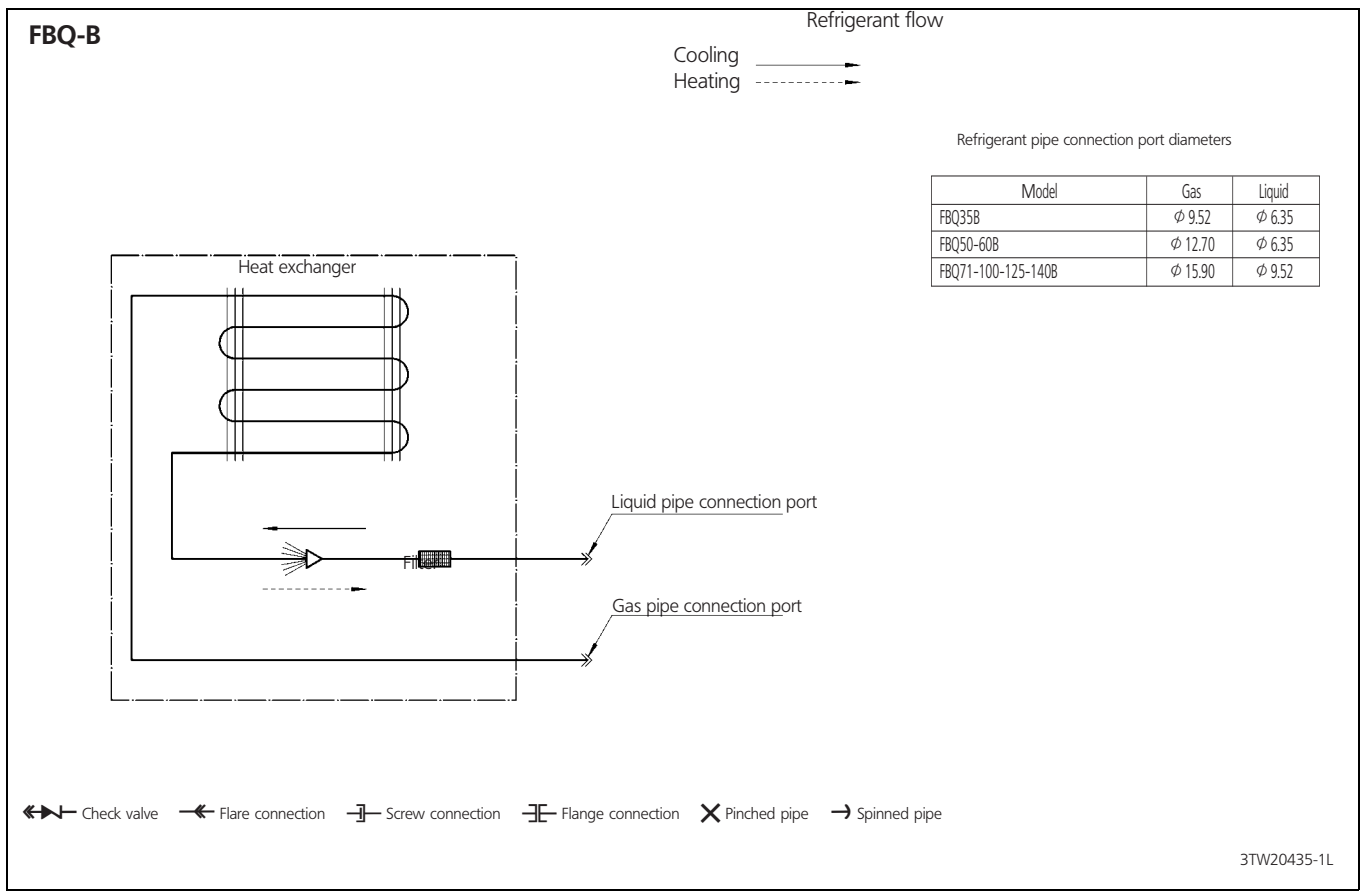


Model	A	B
FBQ35,50	700	300
FBQ60	1000	460
FBQ71	1000	460
FBQ100,125,140	1400	640

4TW20169-2G

7 Piping diagram

7



8 Wiring diagram

8 - 1 Wiring diagram

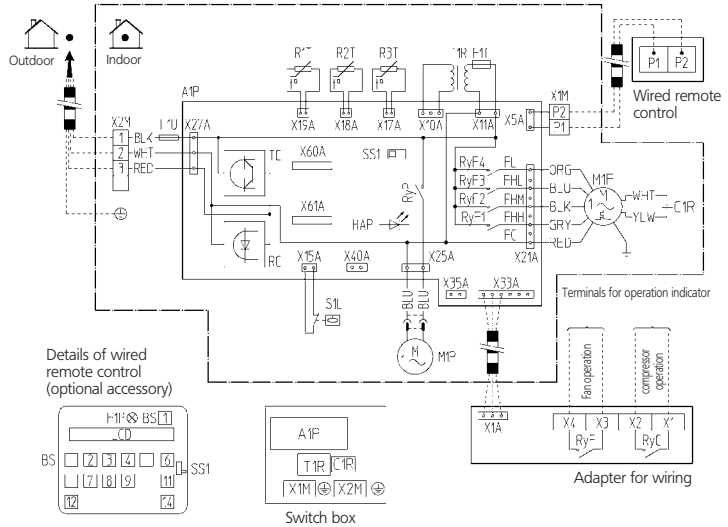
FBQ35-60B

Notes

- When using the central remote control, see manual for connection to the unit.
- The infrared remote control model varies according to the combination system, refer to technical materials and catalogues, etc. before connecting.

- Field wiring
- Terminal
- Connector
- Wire clamp
- Protective earth (screw)

Colours
 BLK: Black / WHT: White / RED: Red / BLU: Blue / GRY: Grey / ORG: Orange



S1L	Float switch	R1T	Thermistor (air)
A1P	Printed circuit board	R2T	Thermistor (liquid)
T1R	Power supply transformer (transformer 220-240V/210V)	R3T	Thermistor (coil)
C1R	Capacitor (fan)	RyF1-4	Magnetic relay (fan)
FIU	Fuse (5A, 250V)	RyP	Magnetic relay (drain pump)
FIT	Thermal fuse (152°C) (M1F embedded)	SS1	Selector switch (emergency)
HAP	Light emitting diode (service monitor green)	X1M	Terminal strip
M1F	Motor (fan)	X2M	Terminal strip
M2P	Motor (drain pump)	RC	Signal receiver circuit
		TC	Signal transmission circuit

Wired remote control	BS14	Filter sign reset button	
BS1	On/Off button	H1P	Light emitting diode (service monitor red)
BS2	Timer mode start/stop button	LCD	Liquid crystal display (LCD)
BS3,BS8	Programming time button	SS1	Selector switch (main/sub)
BS4,BS9	Temperature setting button		
BS6	Operation mode selector button		
BS7	Timer on/off button		
BS11	Fan speed control button		
BS12	Inspection/test button		

Adapter for wiring	RyC/RyF	Magnetic relay
Connector for optional parts	X60A, X61A	Connector (interface adapter for sky air series)
X33A	Connector (adapter for wiring)	
X35A	Connector (group control adapter)	
X40A	Connector (remote ON/OFF forced OFF)	

2TW25116-1B

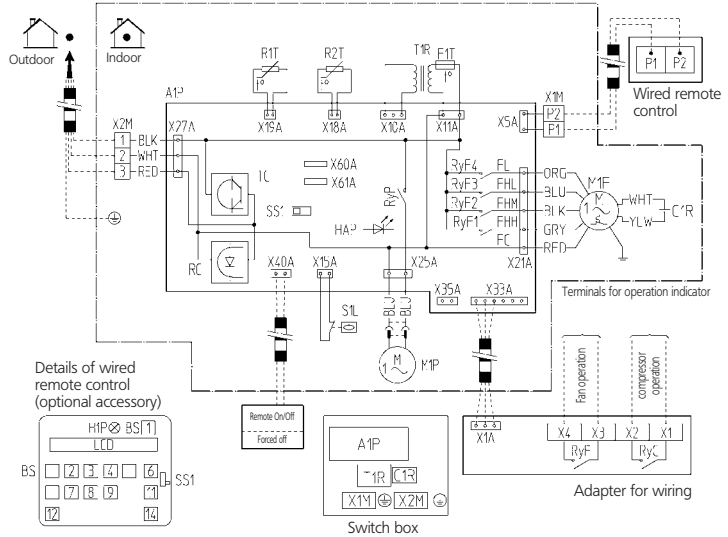
FBQ71B

Notes

- When using the central remote control, see manual for connection to the unit.
- The infrared remote control model varies according to the combination system, refer to technical materials and catalogues, etc. before connecting.

- Field wiring
- Terminal
- Connector
- Wire clamp
- Protective earth (screw)

Colours
 BLK: Black / WHT: White / RED: Red / BLU: Blue / GRY: Grey / ORG: Orange



S1L	Float switch	R1T	Thermistor (air)
A1P	Printed circuit board	R2T	Thermistor (coil)
T1R	Power supply transformer (transformer 220-240V/210V)	RyF1-4	Magnetic relay (fan)
C1R	Capacitor (fan)	RyP	Magnetic relay (drain pump)
FIU	Fuse (5A, 250V)	SS1	Selector switch (emergency)
FIT	Thermal fuse (152°C) (M1F embedded)	X1M	Terminal strip
HAP	Light emitting diode (service monitor green)	X2M	Terminal strip
M1F	Motor (fan)	RC	Signal receiver circuit
M2P	Motor (drain pump)	TC	Signal transmission circuit

Wired remote control	BS14	Filter sign reset button	
BS1	On/Off button	H1P	Light emitting diode (service monitor red)
BS2	Timer mode start/stop button	LCD	Liquid crystal display (LCD)
BS3,BS8	Programming time button	SS1	Selector switch (main/sub)
BS4,BS9	Temperature setting button		
BS6	Operation mode selector button		
BS7	Timer on/off button		
BS11	Fan speed control button		
BS12	Inspection/test operation button		

Adapter for wiring	RyC/RyF	Magnetic relay
Connector for optional parts	X60A, X61A	Connector (interface adapter for sky air series)
X33A	Connector (adapter for wiring)	
X35A	Connector (group control adapter)	
X40A	Connector (remote ON/OFF forced OFF, only SKY-AIR P series)	

2TW26026-1A

8 Wiring diagram

8 - 1 Wiring diagram

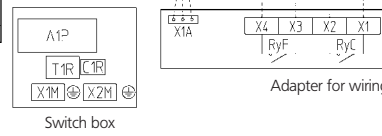
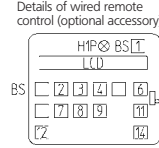
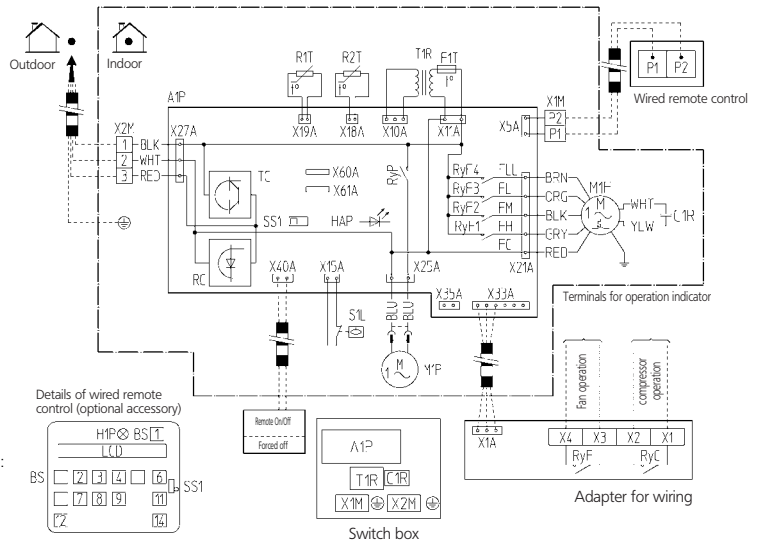
FBQ100-125-140B

Notes

1. When using the central remote control, see manual for connection to the unit.
2. The infrared remote control model varies according to the combination system. refer to technical materials and catalogues, etc. before connecting.

Field wiring Terminal
 : Connector
 : Wire clamp
 : Protective earth (screw)

Colours
 BLK: Black / WHT: White / RED: Red / BLU: Blue / GRY: Grey / ORG: Orange / BRN: Brown

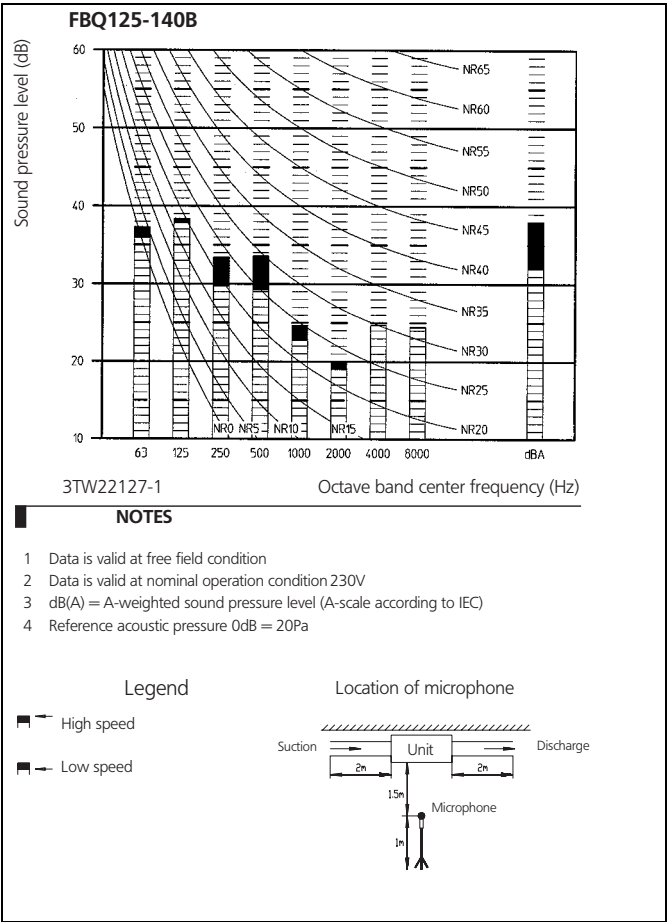
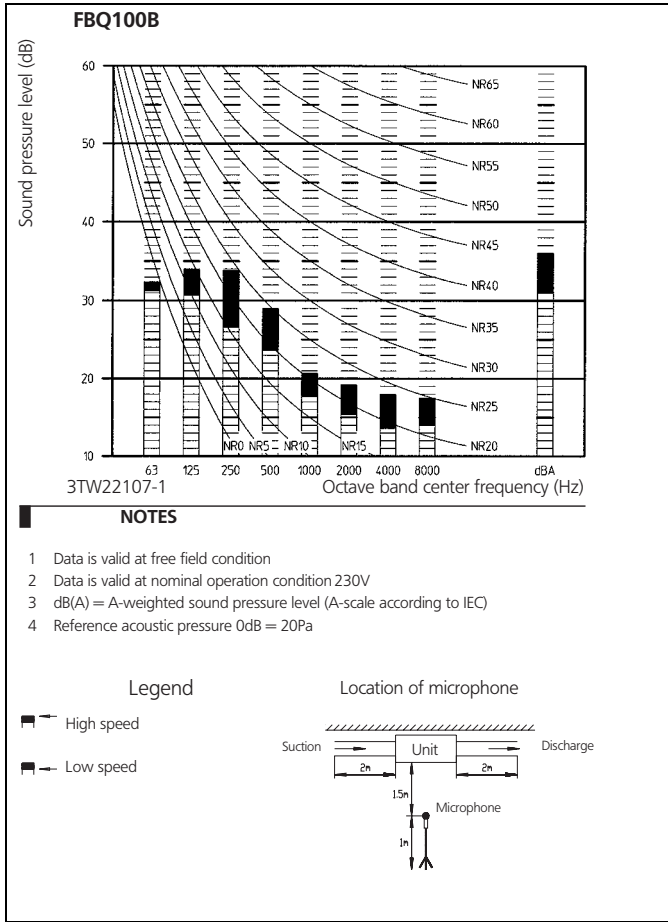
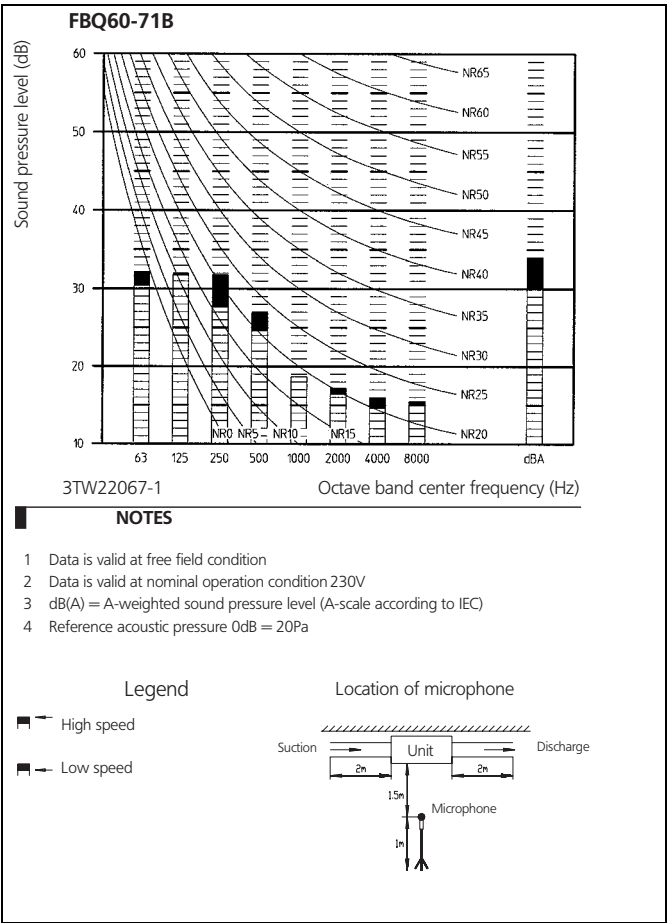
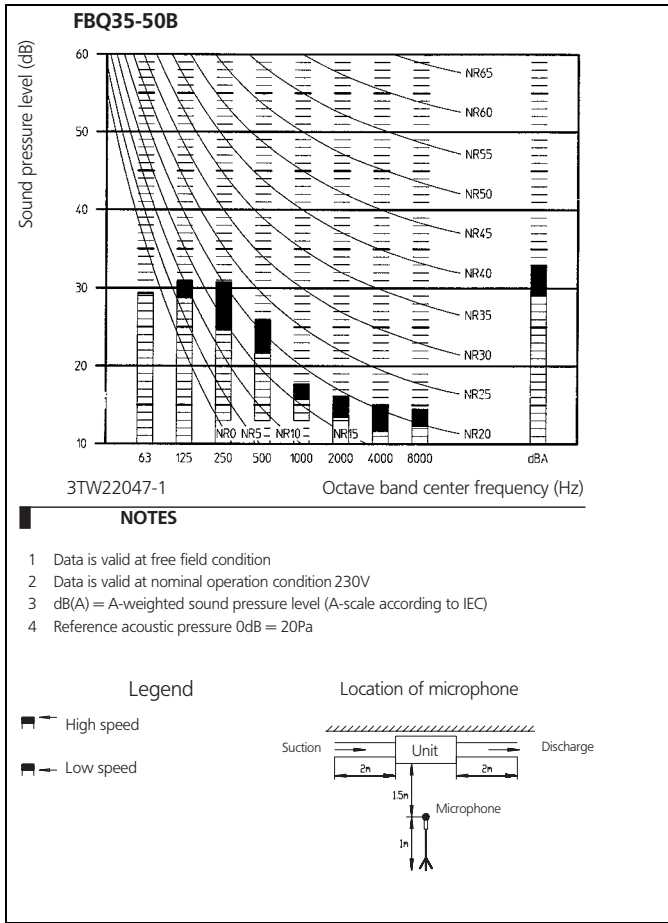


S1L	Float switch	R1T	Thermistor (air)	Wired remote control	BS14	Filter sign reset button	Adapter for wiring
A1P	Printed circuit board	R2T	Thermistor (coil)	BS1	H1P	Light emitting diode (service monitor red)	RyC/RyF
T1R	Power supply transformer (transformer 220-240V/218V)	RyF1-4	Magnetic relay (fan)	BS2	B52	Timer mode start/stop button	Magnetic relay
C1R	Capacitor (fan)	RyP	Magnetic relay (drain pump)	BS3,BS8	B53,B58	Programming time button	Connector for optional parts
F1T	Thermal fuse (152°C) (M1F embedded)	SS1	Selector switch (emergency)	B54,B59	B54,B59	Temperature setting button	X60A, X61A
HAP	Light emitting diode (service monitor green)	X1M	Terminal strip	B56	B56	Operation mode selector button	Connector (interface adapter for sky air series)
M1F	Motor (fan)	X2M	Terminal strip	B57	B57	Timer on/off button	X33A
M1P	Motor (drain pump)	RC	Signal receiver circuit	B511	B511	Fan speed control button	X35A
		TC	Signal transmission circuit	B512	B512	Inspection/test operation button	X40A
							Connector (group control adapter)
							Connector (remote ON/OFF, forced off, only SKY-AIR Pseries)

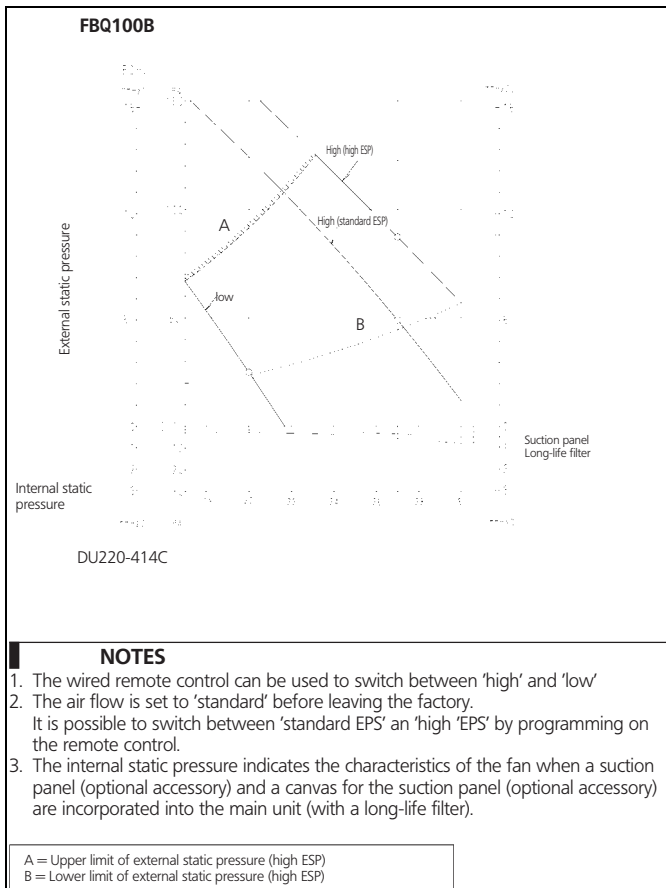
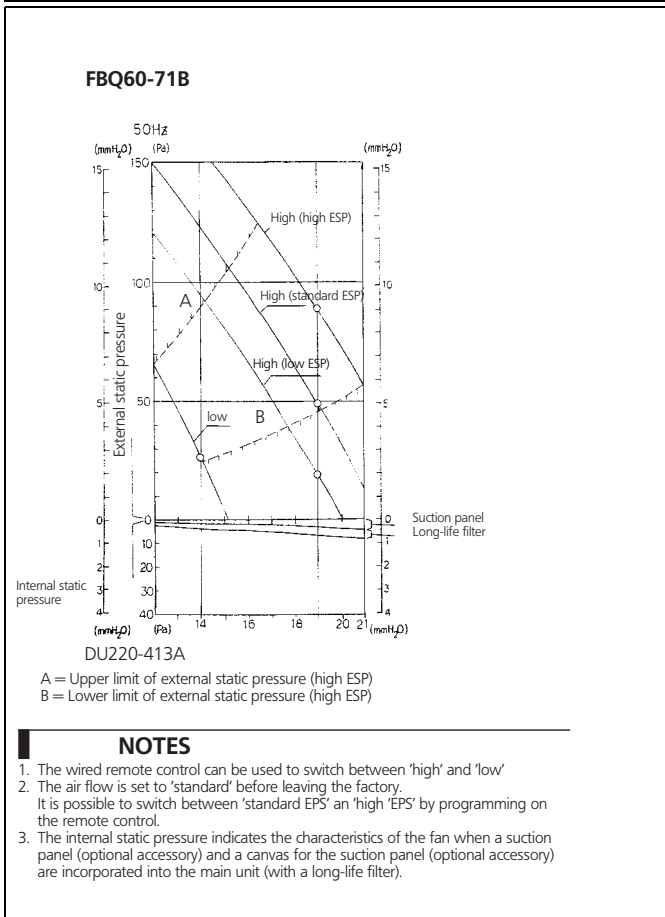
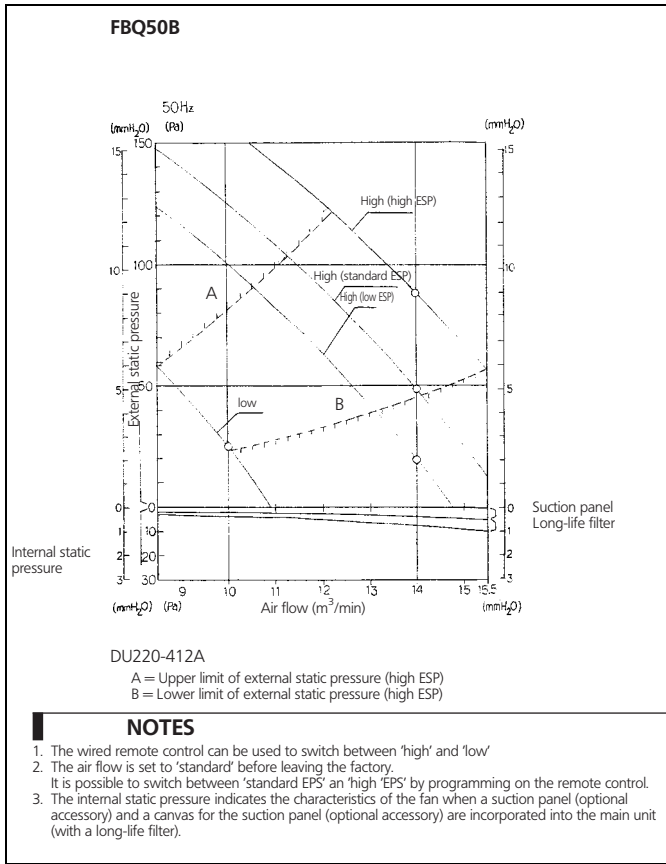
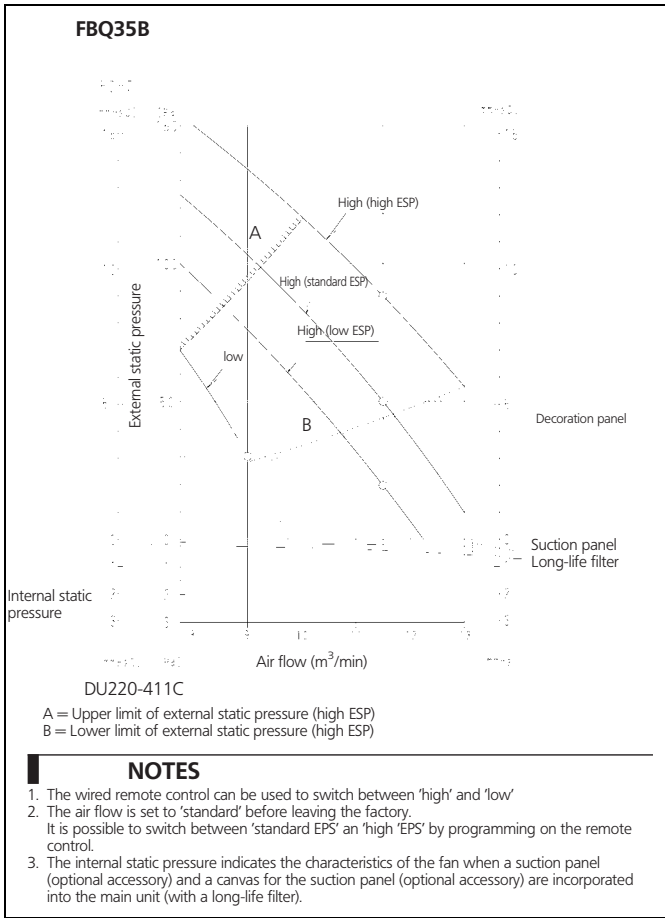
2TW26056-1C

9 Sound data

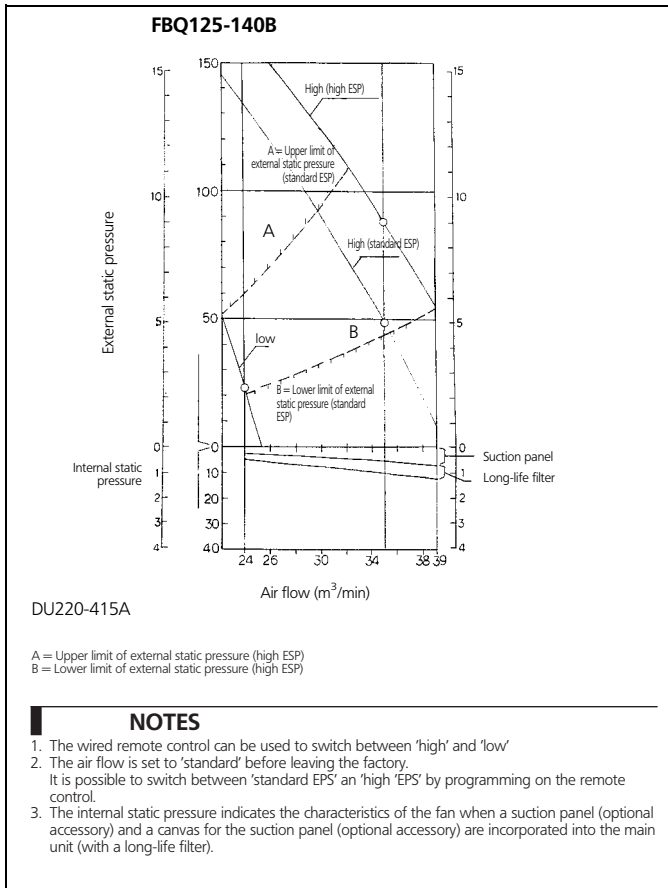
9 - 1 Sound pressure spectrum



10 Fan characteristics



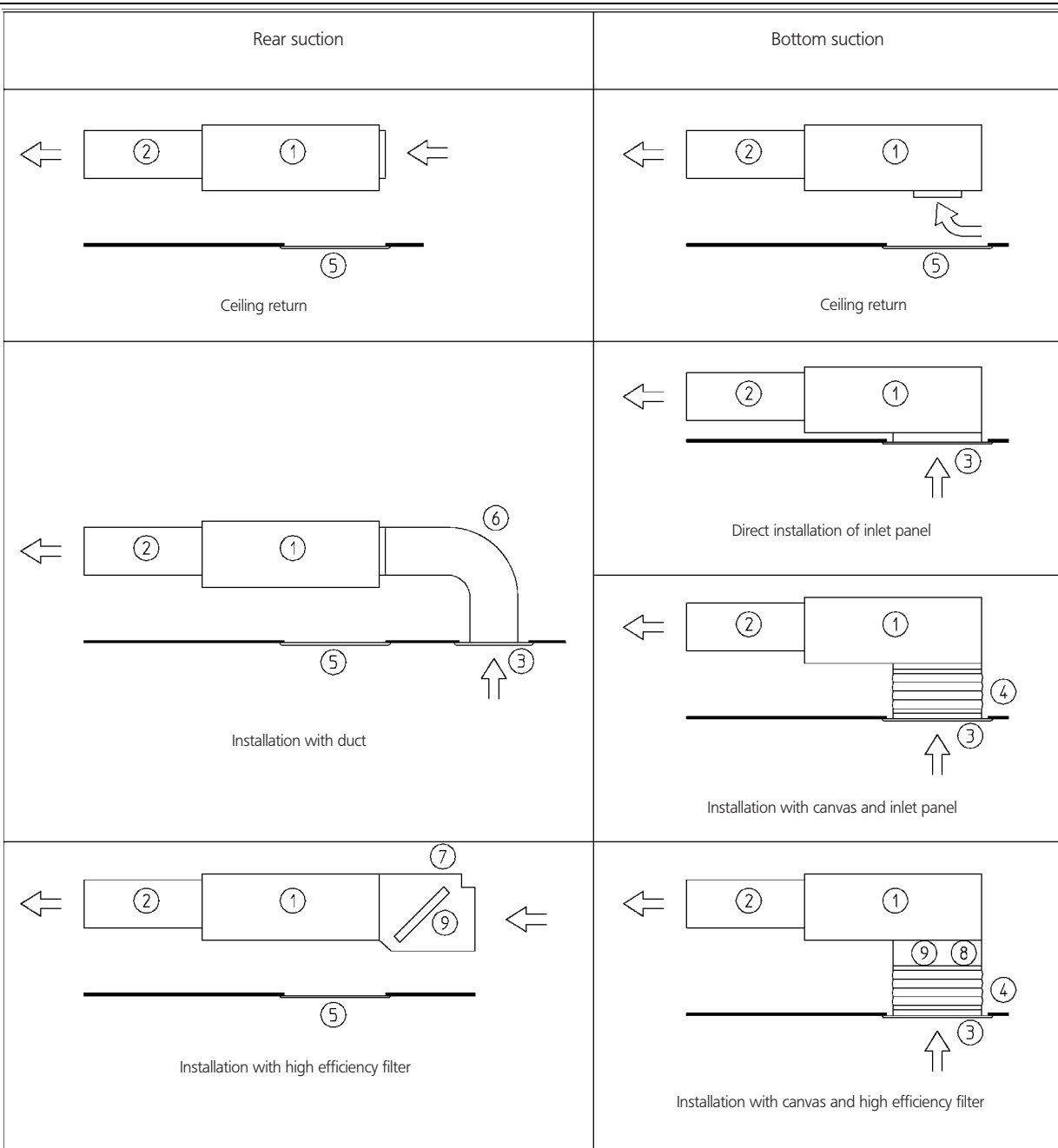
10 Fan characteristics



11 Installation

11 - 1 Installation method

11



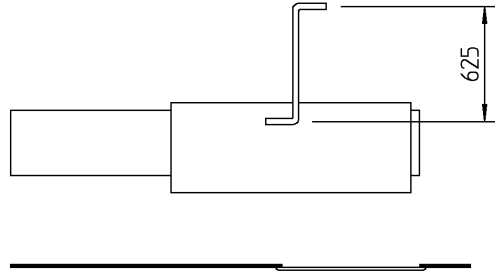
Wide variety of installation methods

Number	Description	
1	Main body	
2	Air outlet duct	Field supply
3	Inlet panel	Optional accessory
4	Air suction canvas	Optional accessory
5	Access panel	Optional accessory
6	Air inlet duct	Field supply
7	Filter chamber for rear suction	Optional accessory
8	Filter chamber for bottom suction	Optional accessory
9	High efficiency filter	Optional accessory

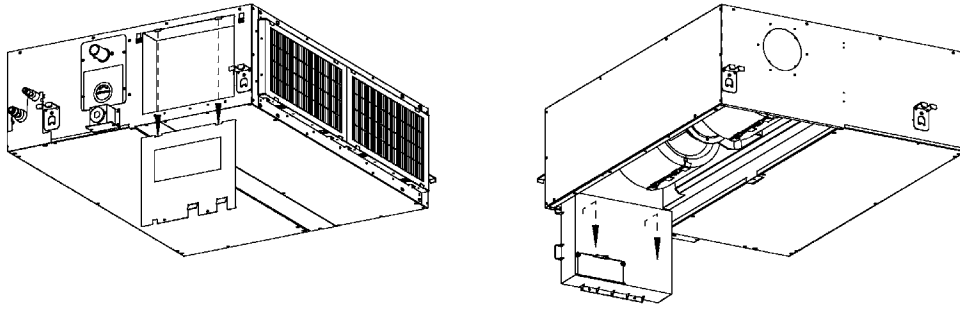
3TW22043-4A

11 Installation

11 - 1 Installation method

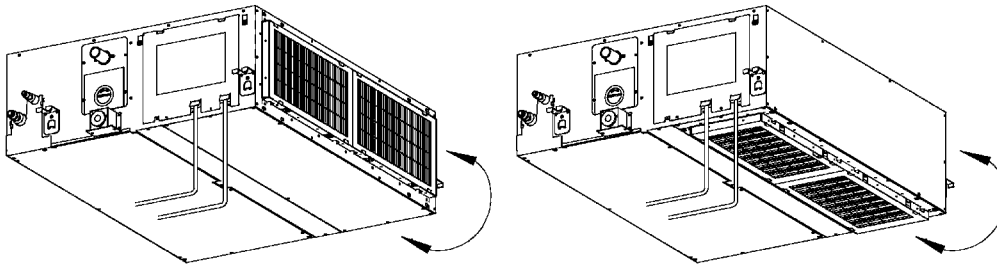


Drain pump up height



From the outside of the switch box:
remove the switch box cover

Easy access to the switch box



Easy modification from rear to bottom suction

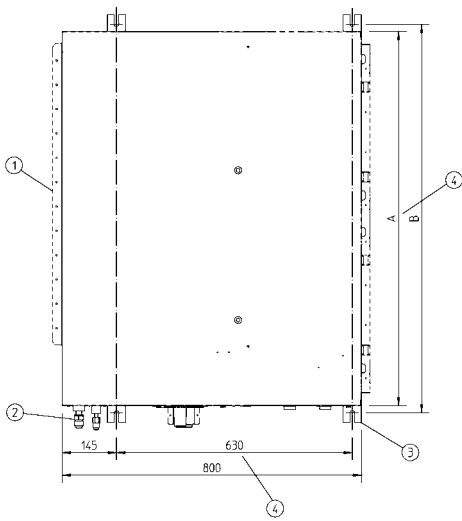
3TW22043-4A

11 Installation

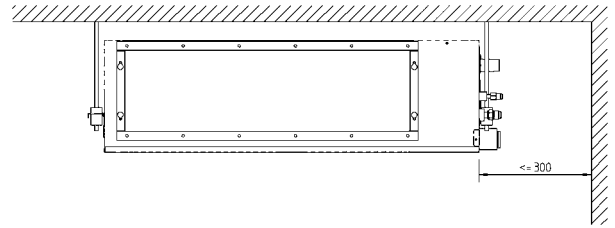
11 - 2 Filter installation method

11

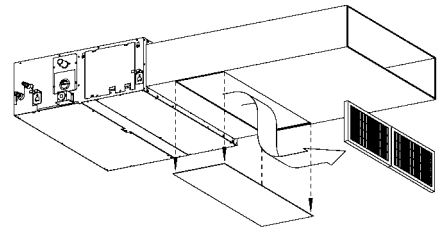
FBQ-B



Suspension bolt pitch



Service space



Number	Description
1	Indoor unit
2	Pipe connections
3	Suspension bolt pitch (4x)
4	Suspension bolt pitch distance

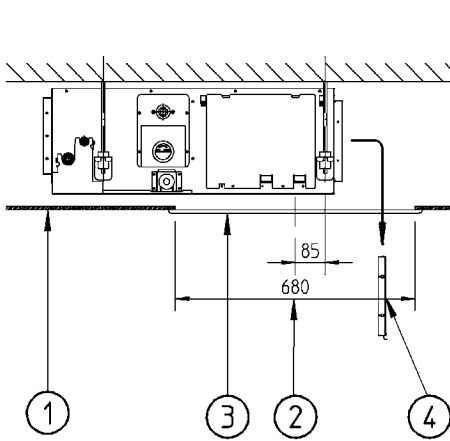
Unit	A	B
FBQ35,50	700	750
FBQ60	1000	1050
FBQ71	1000	1050
FBQ100,125,140	1400	1450

3TW22043-6D

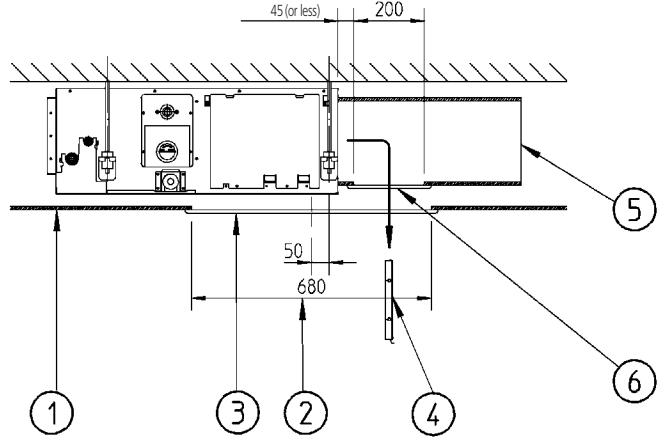
11 Installation

11 - 2 Filter installation method

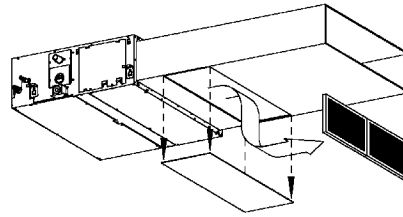
FBQ-B



Installation without duct



Installation with duct

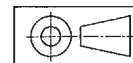


Number	Description
1	False ceiling
2	Ceiling opening
3	Service access panel (optional)
4	Air filter
5	Air inlet duct
6	Duct service opening

NOTES

- When installing the unit with rear suction, a service opening is necessary for the maintenance of the air filters.
- When installing the unit with a suction duct, a service opening must be provided in the duct.
- An optional service access panel is available:

Model	Service access panel
FBQ35,50	KTBJ25K56W
FBQ60	KTBJ25K80W
FBQ100,125,140	KTBJ25K160W



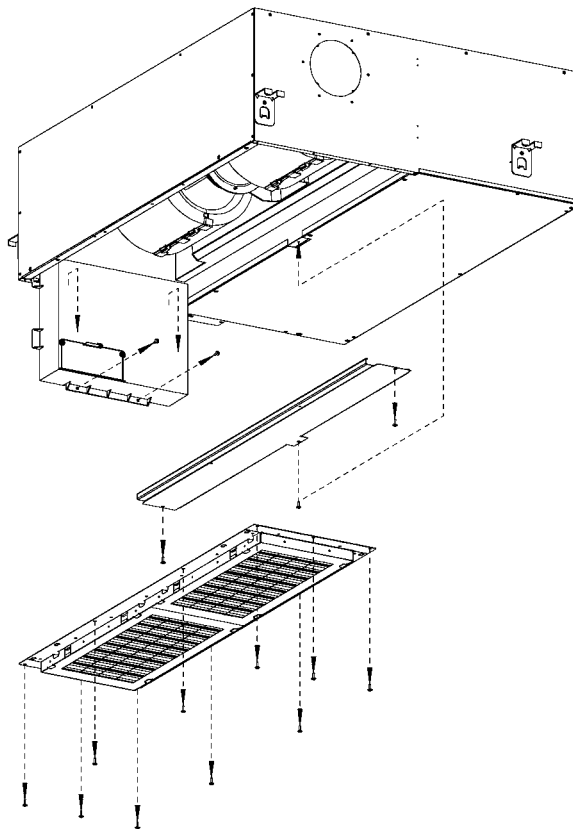
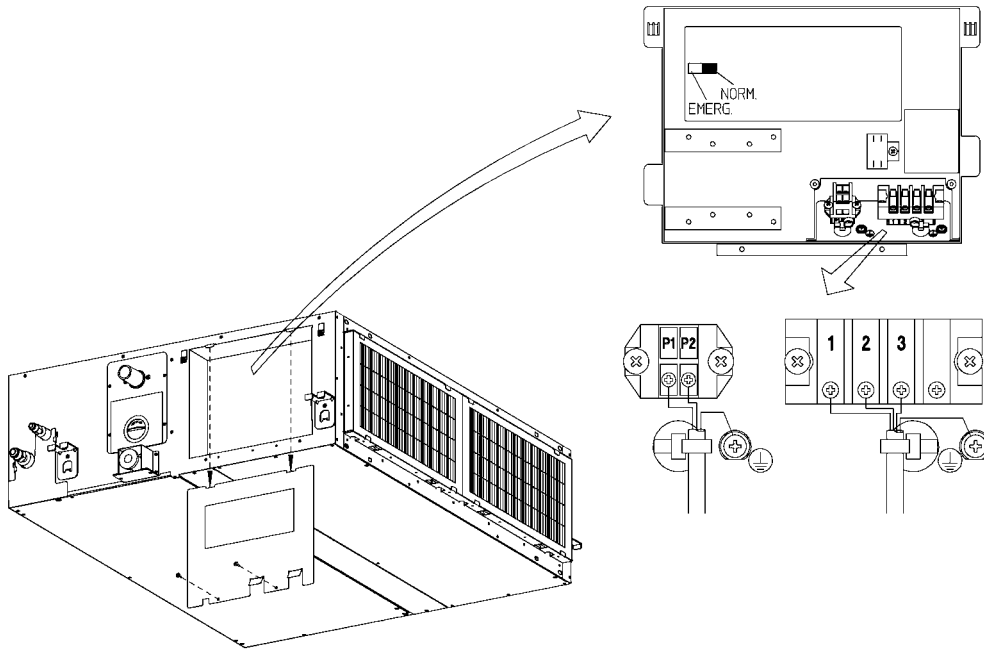
3TW22044-3C

11 Installation

11 - 3 Switch box connection

11

FBQ-B



3TW22043-5B