

DAIKIN

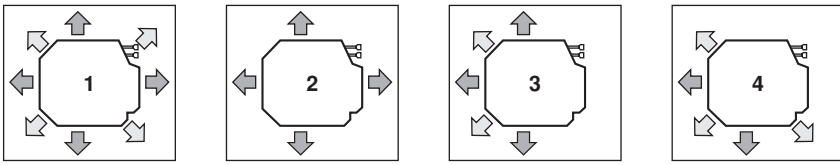


INSTALLATION MANUAL

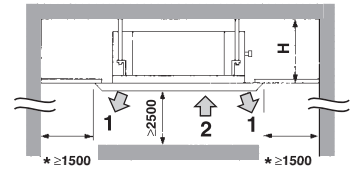
Split System air conditioners

FCQ35C7VEB
FCQ50C7VEB
FCQ60C7VEB
FCQ71C7VEB
FCQ100C7VEB
FCQ125C7VEB
FCQ140C7VEB

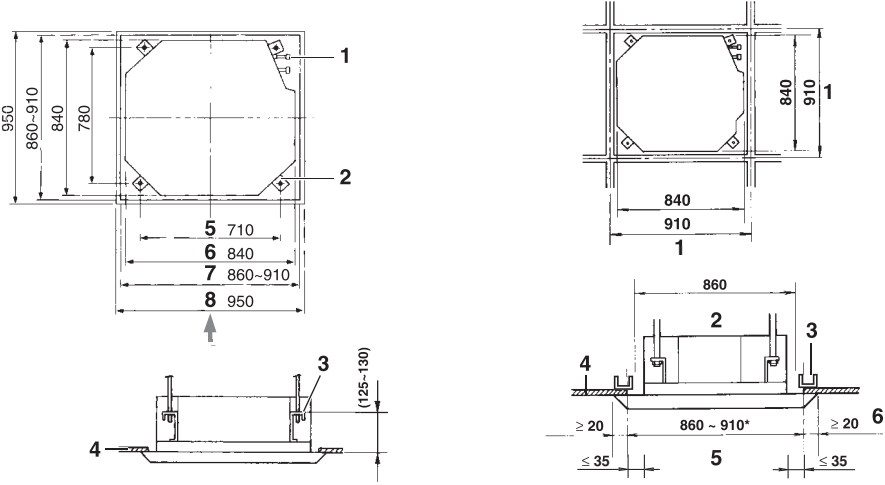
FCQH71C7VEB
FCQH100C7VEB
FCQH125C7VEB
FCQH140C7VEB



1

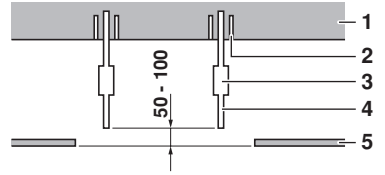


2

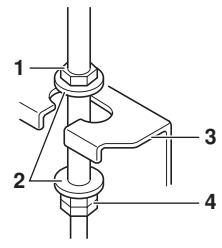


3

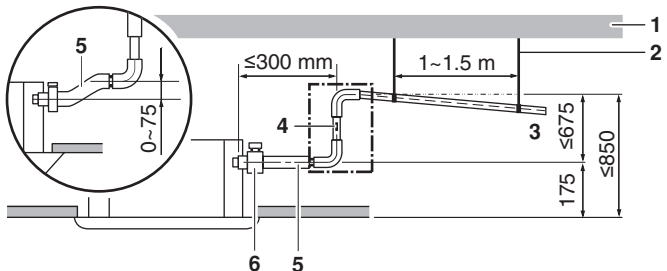
4



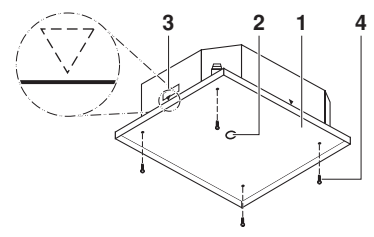
5



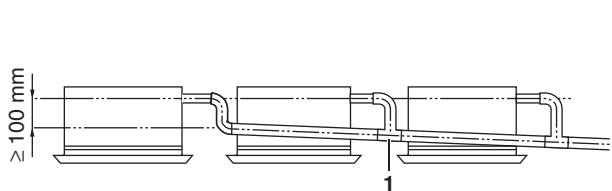
6



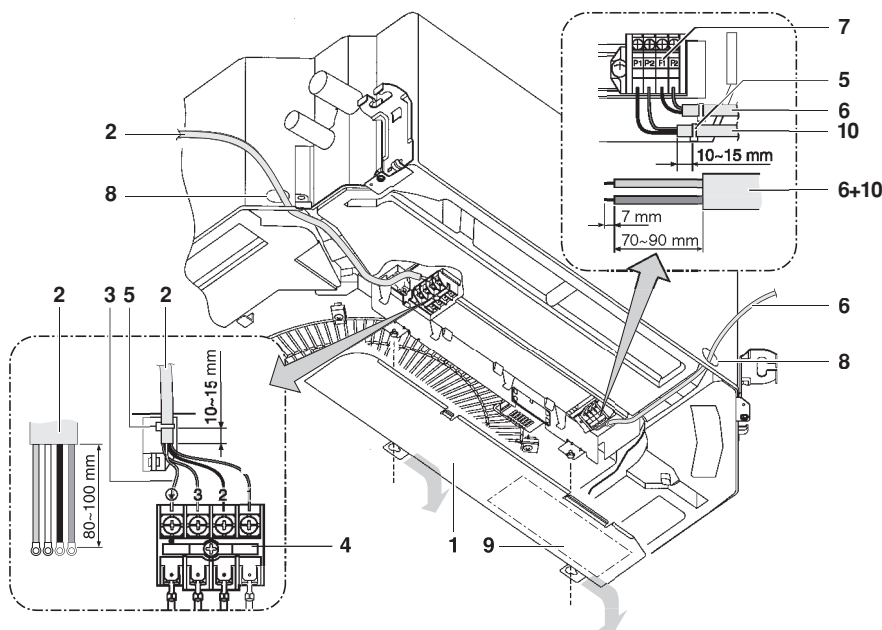
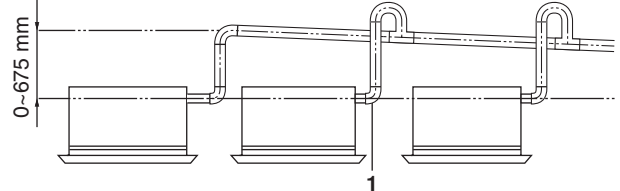
7



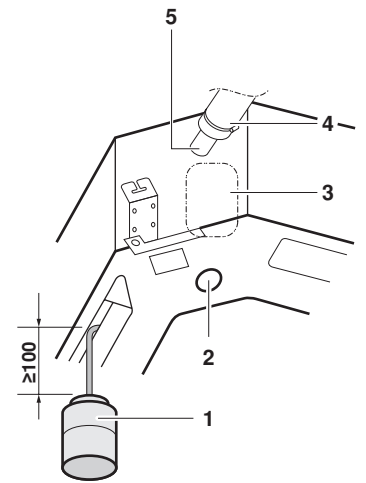
8



9



10



11

- CE - DECLARATION-OF-COMFORMITY
- CE - KONFORMITÄTSSERKLÄRUNG
- CE - DECLARATION-DE-CONFORMITE
- CE - CONFORMITEITS/VERKLARING

Daikin Europe N.V.

- 01 (6B) déclare sous sa seule responsabilité que le air conditioning models to which this declaration relates;
- 02 (6B) erklärt auf seine alleinige Verantwortung daß die Modelle der Klimategeräte für, de diese Erklärung bestätigen ist;
- 03 (6B) déclare sous sa seule responsabilité que les appareils d'air conditionné visés par la présente déclaration;
- 04 (6B) verklaart hierbij op eigen exclusieve verantwoordelijkheid dat de airconditioning units waarop deze verklaring betrekking heeft;
- 05 (6B) declara bajo su única responsabilidad que los modelos de aire acondicionado a los cuales hace referencia la declaración;
- 06 (6B) dichiara sotto sua responsabilità che i condizionatori modello a cui è riferita questa dichiarazione;
- 07 (6B) δηλώνει με αποκλειστική της ευθύνη ότι τα μοντέλα των κλιματιστικών ουσιαστικά στα οποία αναφέρεται η παρούσα δήλωση;
- 08 (6B) declara sob sua exclusiva responsabilidade de que os modelos de ar condicionado a que esta declaração se refere;
- 09 (6B) заявляет на свою исключительную ответственность, что модели кондиционеров воздуха, к которым относится настоящее заявление;

FCQ35C7VEB* , FCQ50C7VEB* , FCQ60C7VEB* , FCQ71C7VEB* , FCQ100C7VEB* , FCQ125C7VEB* , FCQ140C7VEB* , FCQH71C7VEB* , FCQH100C7VEB* , FCQH125C7VEB* , FCQH140C7VEB* , *

01 are in conformity with the following standard(s) or other normative document(s), provided that these are used in accordance with our instructions:

02 der/den folgenden Norm(en) oder einem anderen Normdokument oder -dokumenten entspricht/entsprechen, unter der Voraussetzung, daß sie gemäß unserer Anweisungen eingesetzt werden;

03 sont conformes à la/aux norme(s) ou autre(s) document(s) normal(s), pour autant qu'ils soient utilisés conformément à nos instructions;

04 conform de volgende norm(en) of één of meer andere andere document(en) zijn, op voorwaarde dat ze worden gebruikt overeenkomstig onze instructies;

05 están en conformidad con la(s) siguiente(s) norma(s) u otro(s) documento(s) normal(es), siempre que sean utilizados de acuerdo con nuestras instrucciones;

06 sono conformi alle(i) seguente(i) standard(i) o altro(i) document(i) a carattere normativo, a patto che vengano usati in conformità alle nostre istruzioni;

07 еври одговору на тој(и) стандар(и) и/или друг(и) норматив(и) документ(и), под условом да се користе у складу са нашој инструкцијом и/или у складу са нашој инструкцијом;

EN60335-2-40,

- 01 following the provisions of:
- 02 gemäß den Vorschriften der:
- 03 conformément aux stipulations des:
- 04 overeenkomstig de bepalingen van:
- 05 siguiendo las disposiciones de:
- 06 secondo le prescrizioni per:
- 07 με τηρώντας τον/τα αντίστοιχο/α των/ων διατάξεων των/ων:
- 08 в соответствии с положениями:
- 09 under/rigtigelse af bestemmelserne i:
- 10 enligt villkoren i:
- 11 enligt villkoren i:
- 12 gilt i henhold til bestemmelserne i:
- 13 noudatimiten määräyksinä:
- 14 de doordrenen istaoveni pildpisu:
- 15 prema odredbama:
- 16 káveeli ázi:
- 17 zgodnie z postanowieniami Dyrekty:
- 18 in urma prevederilor:

as set out in the Technical Construction File DAIKIN.TCF.021 and judged positively by KEIMA according to the Certificate 2024351-QUA.EMC02-4565.

wie in der Technischen Konstruktionsakte DAIKIN.TCF.021 aufgeführt und von KEIMA positiv ausgerechnet gemäß Zertifikat 2024351-QUA.EMC02-4565.

tel que stipulé dans le Fichier de Construction Technique DAIKIN.TCF.021 et jugé positivement par KEIMA conformément au Certificat 2024351-QUA.EMC02-4565.

zoals vermeld in het Technisch Constructieakkoord DAIKIN.TCF.021 en in orde bevonden door KEIMA overeenkomstig Certificaat 2024351-QUA.EMC02-4565.

tal como se expone en el Archivo de Construcción Técnica DAIKIN.TCF.021 y juzgado positivamente por KEIMA según el certificado 2024351-QUA.EMC02-4565.

definito nel File Tecnico di Cstruzione DAIKIN.TCF.021 e giudicato positivamente da KEIMA secondo il Certificato 2024351-QUA.EMC02-4565.

όπως προβλεπόταν στο Αρχείο Τεχνική Κοστούσης DAIKIN.TCF.021 και κρίθηκε θετικά από το KEIMA σύμφωνα με το Πρωτόκολλο 2024351-QUA.EMC02-4565.

tal como establecido no Ficheiro Técnico de Construção DAIKIN.TCF.021 e como o parecer positivo de KEIMA de acordo com o Certificado 2024351-QUA.EMC02-4565.

как указано в доке технического задания DAIKIN.TCF.021 и в соответствии с положительным решением KEIMA согласно Сертификату 2024351-QUA.EMC02-4565.

- CE - DECLARACION-DE-CONFORMIDAD
- CE - ЗАЯВЛЕНИЕ-О-СООТВЕТСТВИИ
- CE - OPEYDELSERKLARING
- CE - FORSAKRAN-OM-OVERENSSTEMMELSE

- CE - ERKLÆRING OM SAMSVAR
- CE - ILMOITUS-YHDENMIKÄISJUDESTA
- CE - DECLARACIJA-ZGODNOSCI
- CE - PROHLÁSENÍ-O-SHOĐE

- CE - IZJAVA-O-USKLABENOSTI
- CE - MEGFELELŐSÉG-NYILATKOZAT
- CE - DECLARACIJA-ZGODNOSCI
- CE - DECLARATE-DE-CONFORMITATE

- CE - ATTIKITES-DEKLARACIJA
- CE - ATBLIŠTĪBAS-DEKLARĀCIJA
- CE - VYHLÁSENIE-ZHODY
- CE - UYUMLUK-BİLDİRİSİ

- 10 (6B) erklærer under enansvar, at klimaanlægsmødelerne, som denne deklaration vedrører;
- 11 (6B) deklarerer i egen hånd at klimaanlægsmødelerne, som denne deklaration vedrører, er i overensstemmelse med den tekniske konstruktionsfil DAIKIN.TCF.021 og positivt vurderet af KEIMA i henhold til Certificat 2024351-QUA.EMC02-4565.
- 12 (6B) erklærer et fuldstændigt ansvar for at de tilfoldsopretningsmodeller som berøres af denne deklaration imødebarer alt;
- 13 (6B) ilmoittaa yksinomaan om alla vastuullaan, että läänin ilmoituksen varoituksellat ilmaisonnitiläteen mallit;
- 14 (6B) prohlásuje ve své plné odpovědnosti, že modely klimatizace, k nimž se toto prohlášení vztahuje;
- 15 (6B) izjavljuje pod skljuko vlastito odgovornost da su modeli klima uređaja na koje se ova izjava odnosi;
- 16 (6B) teljes felelősséggel kijelentem, hogy a klímaberendezés modellek, melyekre e nyilatkozat vonatkozik;
- 17 (6B) deklarije na vnašnja izvještaju odgovornosti, što model klimatizatorova, što model klimatizatorova, kojih dolazi u nastavku deklaracije;
- 18 (6B) deklarerar på egne forpligtelse at apparatet er aer conditiontal i care se referă la această declarație;

08 estão em conformidade com a(s) seguinte(s) norma(s) ou outro(s) documento(s) normal(is), desde que estes sejam utilizados de acordo com as nossas instruções;

09 соответствует следующим стандартам или другим нормативным документам, при условии их использования согласно нашим инструкциям;

10 overholder følgende standard(er) eller andre andre retningsgivende dokument(er), forudsat at disse anvendes i henhold til vore instruktioner;

11 respektive utushing är utförd i överensstämmelse med och följer följande standard(er) eller andra normgivande dokument, under förutsättning att användning sker i överensstemmelse med våra instruktioner;

12 respektive uslyer er i overensstemmelse med følgende standard(er) eller andre normgivende dokument(er), under forudsætning av at disse brukes i henhold til våre instruksjoner;

13 nastavaq saarvaten standarden ja muiden ohjeellisten dokumenttien vaatimuksien edellyttäen, että niitä käytetään ohjeiden mukaisesti;

14 za preopokladi, že jsou vzhledy v souladu s našimi pokyny, odpovídají následujícím normám nebo normativním dokumentům;

15 u skladu sa slijedećim standardom(na) ili drugim normativnim dokumentom(na), uz uvjet da se oni koriste u skladu s našim uputama;

Low Voltage 73/23/EEC

Machinery Safety 99/37/EEC

Electromagnetic Compatibility 89/336/EEC *

- 01 Directives, as amended;
- 02 Direktiven, gemäß Änderung;
- 03 Directives, telles que modifiées;
- 04 Richtlijnen, zoals gewijzigd;
- 05 Directivas, según lo emmendado;
- 06 Directive, come da modifica;
- 07 Ohjeet, muut, suora muutosohje;
- 08 Directivas, conforme alteração em;
- 09 Директиве, со всеми поправками;

sm antori den Tekniske Konstruktionsfil DAIKIN.TCF.021 og positivt vurderet af KEIMA i henhold til Certificat 2024351-QUA.EMC02-4565.

uitrustingen är utförd enligt den tekniska konstruktionsfilen DAIKIN.TCF.021 som positivt ingavs av KEIMA i liket ockst i framtigt af Certificat 2024351-QUA.EMC02-4565.

sm del fremkommer den Tekniske Konstruktionsfilen DAIKIN.TCF.021 og gennem positiv bedømmelse af KEIMA ifølge Certificat 2024351-QUA.EMC02-4565.

joka on esitetty Teknisessä Asiakirjassa DAIKIN.TCF.021 ja joka KEIMA on hyväksynyt Sertifikaatissa 2024351-QUA.EMC02-4565.

jak bylo ověřeno v souboru technické konstrukce DAIKIN.TCF.021 a pozitivně zjišeno KEIMA v souladu s ověřením, 2024351-QUA.EMC02-4565.

kako je izloženo u Datojici o tehničkoj konstrukciji DAIKIN.TCF.021 i pozitivno ocijenjeno od strane KEIMA prema Certificatu 2024351-QUA.EMC02-4565.

ako je potvrđeno u sklopu tehničkog konstrukcijskog dokumenta DAIKIN.TCF.021 i pozitivno je ocijenjeno od strane KEIMA prema protokolu 2024351-QUA.EMC02-4565.

zgodnie z archiwum konstrukcyjnym DAIKIN.TCF.021, pozytywna opinia KEIMA i Swiadectwem 2024351-QUA.EMC02-4565.

- 19 (6B) z vso odgovornostjo izjavlja, da so modeli klimatskih naprav, na katere se izjava nanaša;
- 20 (6B) kimintab oma täieliku vastutuse e i käesoleva deklaratsiooni alla kuuluvad kliimasüsteemide mudelid;
- 21 (6B) deklariira na svoe otvorochnost, že modelnye klimatitčne instalatsii, za kotre se otnoša etaz deklaratsiia;
- 22 (6B) všiška savo atsakomybe skelbia, kad oro kondicionavimo prietaisu modeliai, kuriems yra taikomas ši deklaracija;
- 23 (6B) a plnu abilituju aplicati, ka tákiz uzskaitlo modelu gaba kondicionirāji, uz kuriem attiecas šī deklarācija;
- 24 (6B) vyhlásje na vlnstni zodpovednost, že tieto klimatizace modely, na ktoré sa vzťahuje toto vyhlásenie;
- 25 (6B) lamamen kendi sorumluluğunda olmak üzere bu bildirim için oluşturu klima modellerinin açıklığı gibi oluşturu beyan eder;

16 megjelölnek az alábbi szabvány(ok)nak vagy egyéb irányadó dokumentum(ok)nak, ha azokat előírás szerinti használatuk;

17 spehaja vurnoi nasledujujich norm i inyx dokumentov normalizacnyyx, pod varunkiem že uzivajete sa zgodnie z našimi instrukcijami;

18 sunt in conformitate cu urmatoare (urmatoarele) standarde (sau altele) documente (normative), cu conditia ca acestea să fie utilizate in conformitate cu instructiunile noastre;

19 skladaj z nasledujimi standardi in drugimi normativi, pod pogojem, da se uporabijo v skladu z našimi navodili;

20 on vastavaus järgmistele standarditele või teiste normatiivse dokumente, kui need kasutatakse vastavalt meie juhenditele;

21 съответстват на следните стандарти или други нормативни документи, при условие, че се използват съгласно нашите инструкции;

22 alinka zemau nurobytus standartus ir (arba) kitus norminius dokumentus su sąlyga, kad yra naudojami pagal mūsų nurodymus;

23 tad, ja laisbi atitiks šias sąlygas nurodymams, abia sąlygosems standartien su citiem normatiivem dokumentiem;

24 su v zrodě s nasledovnym(y) normamam) alebo nym(y) normativnym(y) dokumentom(ami), za predpokladu, že sa používajú v súlade s našimi návodmi;

25 úrinin, lalimatlarım za kullanılması koşullu ya aşağıdaki standartlar ve norm belirlen begetele uyumludur;

- 10 Direktive, med senere ændringer;
- 11 Direktiv, med foretagne ændringer;
- 12 Direktive, med brøtatte endringer;
- 13 Direktive, se lašana korekti;
- 14 Direktive, un to papildinājums;
- 15 Smernice, kelo ja izmjeneno;
- 16 Irtaije(iek) is mōdosliāsk rēdekāzēsai;
- 17 z pōzijszymi poprawkami;
- 18 Directivelor, cu amendamentele respective;

conform celor stabilite in Dosarul tehnic de constructie DAIKIN.TCF.021 și apreciate pozitiv de KEIMA in conformitate cu Certificatul 2024351-QUA.EMC02-4565.

koj je dođosano u tehnini masi DAIKIN.TCF.021 in obdoroju s strani KEIMA i skladu s certifikatom 2024351-QUA.EMC02-4565.

regu on iatadaud tehniskās dokumentācijas DAIKIN.TCF.021 ja heals lideklul KEIMA jarg vraslariat sertifikacile 2024351-QUA.EMC02-4565.

Суртукнату 2024351-QUA.EMC02-4565.

ka noteiks tehniskaj dokumentacijā DAIKIN.TCF.021, atbilstoši KEIMA pozitīvajam lēmumam no aplēcna sertifikāta 2024351-QUA.EMC02-4565.

ako je stanoveto v Sūbare tehniskaj konstrucije DAIKIN.TCF.021 i klainde pozitīve KEIMA profila DAIKIN.TCF.021 tekni kap Dosydasinda behtitidgi gbi ve 2024351-QUA.EMC02-4565.

oľumli oľakar degeleldiminsir.

DAIKIN

DAIKIN EUROPE NV

Zandvoordestraat 300, B-8400 Oostende, Belgium

DAIKIN

Jiro Tomita
Director Quality Assurance
Ostend, 1st of February 2007

3PW33501-2

CONTENTS

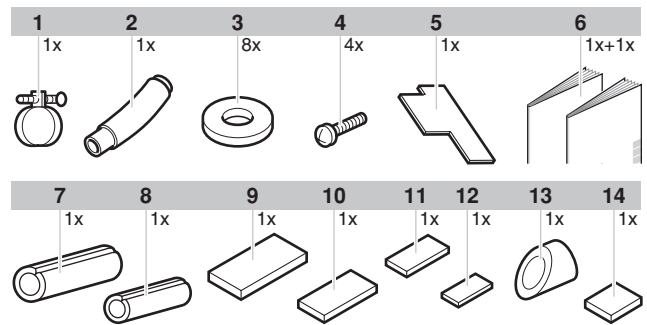
	Page
Before installation	1
Selecting installation site	2
Preparations before installation	2
Indoor unit installation	3
Refrigerant piping work	4
Drain piping work	5
Electric wiring work	6
Wiring example and how to set the remote controller	6
Wiring example	7
Installation of the decoration panel	7
Field setting	8
Test operation	8
Wiring diagram	10

Precautions

- Do not install or operate the unit in rooms mentioned below.
 - Places with mineral oil, or filled with oil vapour or spray like in kitchens. (Plastic parts may deteriorate.)
 - Where corrosive gas like sulphurous gas exists. (Copper tubing and brazed spots may corrode.)
 - Where volatile flammable gas like thinner or gasoline is used.
 - Where machines generating electromagnetic waves exist. (Control system may malfunction.)
 - Where the air contains high levels of salt such as air near the ocean and where voltage fluctuates a lot (e.g. in factories). Also in vehicles or vessels.
- When selecting the installation site, use the supplied paper pattern for installation.
- Do not install accessories on the casing directly. Drilling holes in the casing may damage electrical wires and consequently cause fire.

Accessories

Check if the following accessories are included with your unit.



- 1 Metal clamp
- 2 Drain hose
- 3 Washer for hanger bracket
- 4 Screw
- 5 Installation guide
- 6 Installation and operation manual
- 7 Insulation for fitting for gas pipe
- 8 Insulation for fitting for liquid pipe
- 9 Large sealing pad
- 10 Medium 1 sealing pad
- 11 Medium 2 sealing pad
- 12 Small sealing pad
- 13 Drain sealing pad
- 14 Paper pattern for installation (upper part of packing)

Optional accessories

- There are two types of remote controllers: wired and wireless. Select a remote controller according to customers request and install in an appropriate place. Refer to catalogues and technical literature for selecting a suitable remote controller.
- This indoor unit requires installation of an optional decoration panel.



READ THESE INSTRUCTIONS CAREFULLY BEFORE INSTALLATION. KEEP THIS MANUAL IN A HANDY PLACE FOR FUTURE REFERENCE.

IMPROPER INSTALLATION OR ATTACHMENT OF EQUIPMENT OR ACCESSORIES COULD RESULT IN ELECTRIC SHOCK, SHORT-CIRCUIT, LEAKS, FIRE OR OTHER DAMAGE TO THE EQUIPMENT. BE SURE ONLY TO USE ACCESSORIES MADE BY DAIKIN WHICH ARE SPECIFICALLY DESIGNED FOR USE WITH THE EQUIPMENT AND HAVE THEM INSTALLED BY A PROFESSIONAL.

IF UNSURE OF INSTALLATION PROCEDURES OR USE, ALWAYS CONTACT YOUR DAIKIN DEALER FOR ADVICE AND INFORMATION.

BEFORE INSTALLATION

- Leave the unit inside its packaging until you reach the installation site. Where unpacking is unavoidable, use a sling of soft material or protective plates together with a rope when lifting, this to avoid damage or scratches to the unit. When unpacking the unit or when moving the unit after unpacking, be sure to lift the unit by holding on to the hanger bracket without exerting any pressure on other parts, especially on refrigerant piping, drain piping and other resin parts.
- Refer to the installation manual of the outdoor unit for items not described in this manual.
- Caution concerning refrigerant series R410A:
 - The connectable outdoor units must be designed exclusively for R410A.
 - If outdoor units for R22, R407C are connected, the system will not work properly.

For the following items, take special care during construction and check after installation is finished

Tick ✓ when checked	
<input type="checkbox"/>	Is the indoor unit fixed firmly? The unit may drop, vibrate or make noise.
<input type="checkbox"/>	Is the gas leak test finished? It may result in insufficient cooling or heating.
<input type="checkbox"/>	Is the unit fully insulated? Condensate water may drip.
<input type="checkbox"/>	Does drainage flow smoothly? Condensate water may drip.
<input type="checkbox"/>	Does the power supply voltage correspond to that shown on the name plate? The unit may malfunction or components may burn out.
<input type="checkbox"/>	Are wiring and piping correct? The unit may malfunction or components may burn out.
<input type="checkbox"/>	Is the unit safely grounded? Dangerous at electric leakage.
<input type="checkbox"/>	Is the wiring size according to specifications? The unit may malfunction or components may burn out.
<input type="checkbox"/>	Is nothing blocking the air outlet or inlet of either the indoor or outdoor units? It may result in insufficient cooling or heating.
<input type="checkbox"/>	Are refrigerant piping length and additional refrigerant charge noted down? The refrigerant charge in the system might not be clear.

Notes to the installer

- Read this manual carefully to ensure correct installation. Be sure to instruct the customer how to properly operate the system and show him/her the enclosed operation manual.
- Explain to the customer what system is installed on the site. Be sure to fill out the appropriate installation specifications in the chapter "What to do before operation" of the outdoor unit operation manual.

SELECTING INSTALLATION SITE

When the conditions in the ceiling are exceeding 30°C and a relative humidity of 80%, or when fresh air is inducted into the ceiling, an additional insulation is required (minimum 10 mm thickness, polyethylene foam).

For this unit you can select different air flow directions. It is necessary to purchase an optional blocking pad kit to discharge the air in 2, 3 or 4 (closed corners) directions.

- 1 Select an installation site where the following conditions are fulfilled and that meets your customer's approval.
 - Where optimum air distribution can be ensured.
 - Where nothing blocks air passage.
 - Where condensate water can be properly drained.
 - Where the false ceiling is not noticeably on an incline.
 - Where sufficient clearance for maintenance and service can be ensured.
 - Where there is no risk of flammable gas leaking.
 - Where piping between indoor and outdoor units is possible within the allowable limit. (Refer to the installation manual of the outdoor unit.)
 - Keep indoor unit, outdoor unit, inter unit wiring and remote controller wiring at least 1 meter away from televisions and radios. This is to prevent image interference and noise in those electrical appliances. (Noise may be generated depending on the conditions under which the electric wave is generated, even if 1 meter is kept.)
 - When installing the wireless remote controller kit, the distance between wireless remote controller and indoor unit might be shorter if there are fluorescent lights who are electrically started in the room. The indoor unit must be installed as far as possible away from fluorescent lights.

2 Ceiling height

This indoor unit may be installed on ceilings up to 3.5 m in height (for FCQH100~140 units: 4.2 m). However, it becomes necessary to make field settings using the remote controller when installing the unit at a height over 2.7 m (for FCQH100~140 units: 3.2 m).

To avoid accidental touching, it is recommended to install the unit higher than 2.5 m. Refer to "Field setting" on page 8 and to the decoration panel installation manual.

3 Air flow directions

Select the air flow directions best suited to the room and point of installation. (For air discharge in 2 or 3 directions, it is necessary to make field settings by means of the remote controller and to close the air outlet(s). Refer to the installation manual of the optional blocking pad kit and to "Field setting" on page 8. (See figure 1) (↑: air flow direction)

- 1 All-round air discharge
- 2 Air discharge in 4 directions
- 3 Air discharge in 3 directions
- 4 Air discharge in 2 directions

NOTE Air flow directions as shown in figure 1 merely serve as examples of possible air flow directions.

4 Use suspension bolts for installation. Check whether the ceiling is strong enough to support the weight of the indoor unit. If there is a risk, reinforce the ceiling before installing the unit.

(The installation pitch is marked on the paper pattern for installation. Refer to it to check for points requiring reinforcing.) Space required for installation see figure 2 (↑: air flow direction)

- 1 Air discharge
- 2 Air inlet

NOTE Leave 200 mm or more space where marked with *, on sides where the air outlet is closed.

Model	H
FCQ35~71	≥214
FCQ100~140	≥256

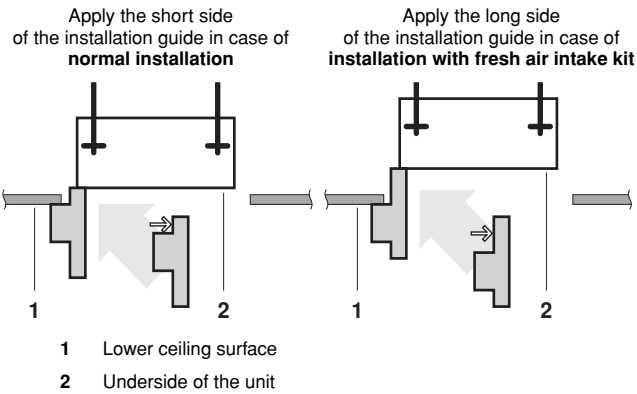
Model	H
FCQH71	≥256
FCQH100~140	≥298

PREPARATIONS BEFORE INSTALLATION

1 Relation of ceiling opening to unit and suspension bolt position. (See figure 3)


- 1 Refrigerant piping
- 2 Suspension bolt (x4)
- 3 Hanger bracket
- 4 False ceiling
- 5 Suspension bolt pitch
- 6 Indoor unit
- 7 Ceiling opening
- 8 Decoration panel

- Use the installation guide (delivered with the unit) for exact vertical positioning of the unit.



- Installation is possible when opening dimensions are as follows. When installing the unit within the frame for fixing ceiling materials. (See figure 4)

- 1 Dimensions inside frame
- 2 Opening dimension inside the frame for ceiling
- 3 Frame
- 4 Ceiling material
- 5 Ceiling opening dimension
- 6 Ceiling-panel overlapping dimension

NOTE  Installation is possible with a ceiling dimension of 910 mm (marked with*). However, to achieve a ceiling-panel overlapping dimension of 20 mm, the spacing between the ceiling and the unit should be 35 mm or less. If the spacing between ceiling and the unit is over 35 mm, attach ceiling material to the part or recover the ceiling.


- 2 Make the ceiling opening needed for installation where applicable. (For existing ceilings.)


- Refer to the paper pattern for installation for the ceiling opening dimensions.
- Create the ceiling opening required for installation. From the side of the opening to the casing outlet, implement the refrigerant and drain piping and wiring for remote controller (unnecessary for wireless type). Refer to each piping or wiring section.
- After making an opening in the ceiling, it may be necessary to reinforce ceiling beams to keep the ceiling level and to prevent it from vibrating. Consult the builder for details.

- 3 Install the suspension bolts. (Use either a W3/8 or M10 size bolt.)

Use anchors for existing ceilings, and a sunken insert, sunken anchors or other field supplied parts for new ceilings to reinforce the ceiling in order to bear the weight of the unit. Adjust clearance from the ceiling before proceeding further. Installation example (See figure 5)

- 1 Ceiling slab
- 2 Anchor
- 3 Long nut or turn-buckle
- 4 Suspension bolt
- 5 False ceiling

NOTE  All the above parts are field supplied.

 For other installation than standard installation, contact your dealer for details.

INDOOR UNIT INSTALLATION

When installing optional accessories (except for the decoration panel), read also the installation manual of the optional accessories. Depending on the field conditions, it may be easier to install optional accessories before the indoor unit is installed. However, for existing ceilings, always install fresh air intake kit before installing the unit.

- 1 Install the indoor unit temporarily.
 - Attach the hanger bracket to the suspension bolt. Be sure to fix it securely by using a nut and washer from the upper and lower sides of the hanger bracket.
 - Securing the hanger bracket (See figure 6)

- 1 Nut (field supply)
- 2 Washer (supplied with the unit)
- 3 Hanger bracket
- 4 Double nut (field supply, tighten)

- 2 Fix the paper pattern for installation. (For new ceilings only.)

- The paper pattern for installation corresponds with the measurements of the ceiling opening. Consult the builder for details.
- The centre of the ceiling opening is indicated on the paper pattern for installation. The centre of the unit is indicated on the unit casing.
- After removing the packaging material from the paper pattern for installation, attach the paper pattern for installation to the unit with the attached screws as shown in figure 8.

- 1 Paper pattern for installation
- 2 Centre of the ceiling opening
- 3 Centre of the unit
- 4 Screws (supplied with the unit)

- 3 Adjust the unit to the right position for installation.

(See "Preparations before installation" on page 2.)

- 4 Check if the unit is horizontally levelled.

- Do not install the unit tilted. The indoor unit is equipped with a built-in drain pump and float switch. (If the unit is tilted against the direction of the condensate flow (the drain piping side is raised), the float switch may malfunction and cause water to drip.)
- Check if the unit is levelled at all four corners with a water level or a water-filled vinyl tube as shown in figure 12.

- 1 Water level
- 2 Vinyl tube

- 5 Remove the paper pattern for installation. (For new ceilings only.)

REFRIGERANT PIPING WORK

For refrigerant piping of outdoor unit, refer to the installation manual supplied with the outdoor unit.

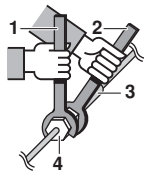
Execute heat insulation work completely on both sides of the gas piping and liquid piping. Otherwise, this can sometimes result in water leakage.

Before rigging tubes, check which type of refrigerant is used.



All field piping must be provided by a licensed refrigeration technician and must comply with the relevant local and national codes.

- Use a pipe cutter and flare suitable for R410A refrigerant.
- To prevent dust, moisture or other foreign matter from infiltrating the tube, either pinch the end, or cover it with tape.
- The outdoor unit is charged with refrigerant.
- To prevent water leakage, execute heat insulation work completely on both sides of the gas and liquid piping. When using a heat pump, the temperature of the gas piping can reach up to approximately 120°C, use insulation which is sufficiently heat resistant.
- Be sure to use both a spanner and torque wrench together when connecting or disconnecting pipes to/from the unit.



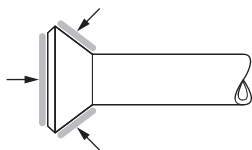
- 1 Torque wrench
- 2 Spanner
- 3 Piping union
- 4 Flare nut

- Do not mix anything other than the specified refrigerant, such as air, etc. inside the refrigerant circuit.
- Refer to Table 1 for the dimensions of flare nut spaces and the appropriate tightening torque. (Overtightening may damage the flare and cause leaks.)

Table 1

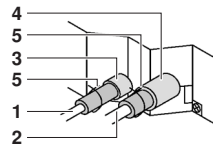
Pipe gauge	Tightening torque	Flare dimension A (mm)	Flare shape
Ø6.4	14.2~17.2 N·m	8.7~9.1	
Ø9.5	32.7~39.9 N·m	12.8~13.2	
Ø12.7	49.5~60.3 N·m	16.2~16.6	
Ø15.9	61.8~75.4 N·m	19.3~19.7	

- When connecting the flare nut, coat the flare both inside and outside with refrigerating ether or ester oil and initially tighten by hand 3 or 4 turns before tightening firmly. Coat here with ether oil or ester oil



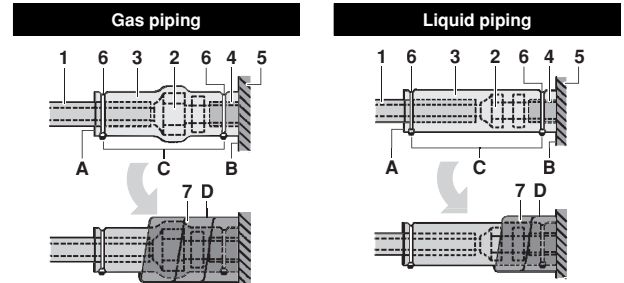
- If the refrigerant gas leaks during the work, ventilate the area. A toxic gas is emitted by the refrigerant gas being exposed to a fire.
- Make sure there is no refrigerant gas leak. A toxic gas may be released by the refrigerant gas leaking indoor and being exposed to flames from an area heater, cooking stove, etc.

- Finally, insulate as shown in the figure below (use the supplied accessory parts)



- 1 Liquid pipe
- 2 Gas pipe
- 3 Insulation for fitting for liquid pipe
- 4 Insulation for fitting for gas pipe
- 5 Clamps (use 2 clamps per insulation)

Piping insulation procedure



- 1 Piping insulation material (field supply)
- 2 Flare nut connection
- 3 Insulation for fitting (delivered with the unit)
- 4 Piping insulation material (main unit)
- 5 Main unit
- 6 Clamp (field supply)
- 7 Medium 1 sealing pad for gas piping (delivered with the unit)
Medium 2 sealing pad for liquid piping (delivered with the unit)
- A Turn seams up
- B Attach to base
- C Tighten the part other than the piping insulation material
- D Wrap over from the base of the unit to the top of the flare nut connection

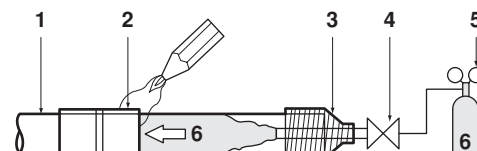


For local insulation, be sure to insulate local piping all the way into the pipe connections inside the unit.

Exposed piping may cause condensation or may cause burns when touched.

Cautions for brazing

- Be sure to carry out a nitrogen blow when brazing. Brazing without carrying out nitrogen replacement or releasing nitrogen into the piping will create large quantities of oxidized film on the inside of the pipes, adversely affecting valves and compressors in the refrigerating system and preventing normal operation.
- When brazing while inserting nitrogen into the piping, nitrogen must be set to 0.02 MPa with a pressure-reducing valve (=just enough so that it can be felt on the skin).

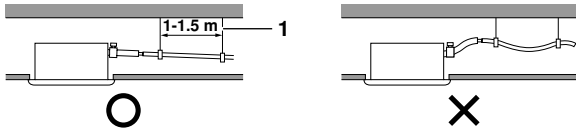


- 1 Refrigerant piping
- 2 Part to be brazed
- 3 Taping
- 4 Hands valve
- 5 Pressure-reducing valve
- 6 Nitrogen

DRAIN PIPING WORK

Installation of drain piping

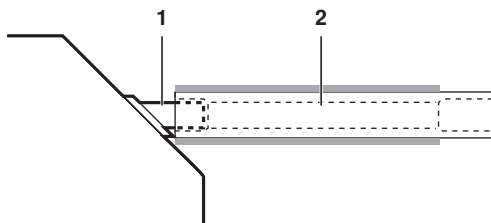
Install the drain piping as shown in the figure and take measures against condensation. Improperly rigged piping could lead to leaks and eventually wet furniture and belongings.



1 Hanging bar

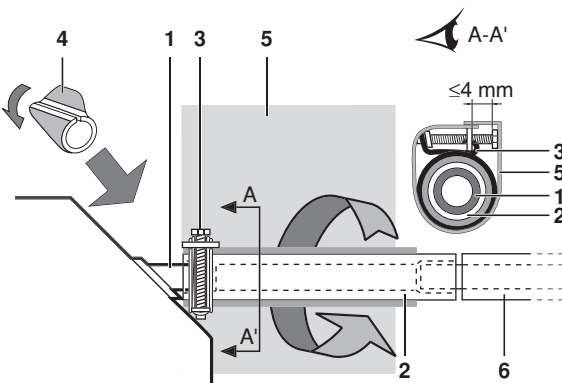
■ Install the drain pipes.

- Keep piping as short as possible and slope it downwards at a gradient of at least 1/100 so that air may not remain trapped inside the pipe.
- Keep pipe size equal to or greater than that of the connecting pipe (vinyl pipe of 25 mm nominal diameter and 32 mm outer diameter).
- Push the supplied drain hose as far as possible over the drain socket.



1 Drain socket (attached to the unit)
2 Drain hose (supplied with the unit)

- Tighten the metal clamp until the screw head is less than 4 mm from the metal clamp part as indicated in the illustration.
- After the testing of drain piping is finished, attach the drain sealing pad (4) supplied with the unit over the uncovered part of the drain socket (= between drain hose and unit body).



1 Drain socket (attached to the unit)
2 Drain hose (supplied with the unit)
3 Metal clamp (supplied with the unit)
4 Drain sealing pad (supplied with the unit)
5 Large sealing pad (supplied with the unit)
6 Drain piping (field supply)

- Wrap the supplied large sealing pad over the metal clamp and drain hose to insulate and fix it with clamps.
- Insulate the complete drain piping inside the building (field supply).
- If the drain hose cannot be sufficiently set on a slope, fit the hose with drain raising piping (field supply).

■ How to perform piping (See figure 7)

- 1 Ceiling slab
- 2 Hanger bracket
- 3 Adjustable range
- 4 Drain raising pipe (nominal diameter of vinyl pipe = 25 mm)
- 5 Drain hose (supplied with the unit)
- 6 Metal clamp (supplied with the unit)

- Connect the drain hose to the drain raising pipes, and insulate them.
- Connect the drain hose to the drain outlet on the indoor unit, and tighten it with the clamp.

■ Precautions

- Install the drain raising pipes at a height of less than 675 mm.
- Install the drain raising pipes at a right angle to the indoor unit and no more than 300 mm from the unit.
- To prevent air bubbles, install the drain hose level or slightly tilted up (≤ 75 mm).



NOTE The incline of attached drain hose should be 75 mm or less so that the drain socket does not have to withstand additional force.

To ensure a downward slope of 1:100, install hanging bars every 1 to 1.5 m.

When unifying multiple drain pipes, install the pipes as shown in figure 9. Select converging drain pipes whose gauge is suitable for the operating capacity of the unit.

1 T-joint converging drain pipes

Testing of drain piping

After the piping work is finished, check if drainage flows smoothly.

- Add approximately 1 l of water gradually through the air discharge outlet.
Method of adding water (See figure 11)

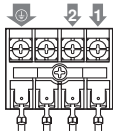
- 1 Plastic watering can (tube should be about 100 mm long)
- 2 Service drain outlet (with rubber plug) (Use this outlet to drain water from the drain pan)
- 3 Drain pump location
- 4 Drain pipe
- 5 Drain socket (water flow view point)

■ Check the drainage flow.

- In case electric wiring work is finished
Check drainage flow during COOL running, explained in "Test operation" on page 8.
- In case electric wiring work is not finished
 - Remove the control box lid. Connect the single-phase power supply (50 Hz, 230 V) to connections No. 1 and No. 2 on the inter unit wiring terminal block and connect the ground wire firmly (see figure 10).
 - Reattach the control box lid and turn on the power.
 - Do not touch the drain pump. It may result in electric shock.

- 1 Control box lid
- 2 Inter unit wiring
- 3 Earth cable
- 4 Inter unit wiring terminal block
- 5 Clamp
- 6 Transmission wiring
- 7 Terminal board for transmission wiring
- 8 Opening for cables
- 9 Wiring diagram label (on the back side of the control box lid)
- 10 Remote controller wiring

Inter unit wiring terminal block (4)



- Confirm the drain operation looking at the drain socket.
- After checking the drainage flow, turn off power, remove the control box lid and disconnect the single phase power supply from the inter unit wiring terminal block again. Attach the control box lid as before.

ELECTRIC WIRING WORK

General instructions

- All field supplied parts and materials and electric works must conform to local codes.
- Use copper wire only.
- Follow the 'Wiring diagram' attached to the unit body to wire the outdoor unit, indoor units and the remote controller. For details on hooking up the remote controller, refer to the "Installation manual of the remote controller".
- All wiring must be performed by an authorized electrician.
- A main switch or other means for disconnection, having a contact separation in all poles, must be incorporated in the fixed wiring in accordance with relevant local and national legislation. Note that the operation will restart automatically if the main power supply is turned off and then turned back on again.
- Refer to the installation manual attached to the outdoor unit for the size of power supply electric wire connected to the outdoor unit, the capacity of the earth leakage circuit breaker and fuse, and wiring instructions.
- Be sure to ground the air conditioner.
- Do not connect the ground wire to:
 - gas pipes: might cause explosions or fire if gas leaks.
 - telephone ground wires or lightning rods: might cause abnormally high electric potential in the ground during lightning storms.
 - plumbing pipes: no grounding effect if hard vinyl piping is used.

Electrical characteristics

NOTE For details, refer to "Electrical data".



Specifications for field wire

	Wire	Size (mm ²)	Length
Between indoor units	H05VV-U4G ^{(1),(2)}	2,5	—
Unit-Remote controller	Sheathed wire (2 wire) ⁽³⁾	0.75-1.25	≤500 m ⁽⁴⁾

- (1) Shows only in case of protected pipes. Use H07RN-F in case of no protection.
- (2) Run transmission wiring between the indoor and outdoor units through a conduit to protect against external forces, and feed the conduit through the wall together with refrigerant piping.
- (3) Use double insulation wire for remote controller (sheath thickness: ≥1 mm) or run wires through a wall or conduit so that the user cannot come in contact with them.
- (4) This length is the total maximum extended length in the system in case of group control.

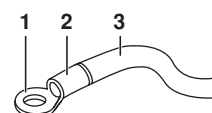
WIRING EXAMPLE AND HOW TO SET THE REMOTE CONTROLLER

How to connect wiring (See figure 10)

- **Inter unit wiring**
Remove the control box lid (1) and connect the inter unit wiring terminal block inside with the matching numbers and connect the ground wire to the grounding terminal. While doing this, pull the wires inside through the hole in the casing and clamp the wires along with other wires using a clamp as indicated in the figure.
- **Remote controller wiring**
Remove the control box lid (1) and pull the wires inside through the hole in the casing and connect to the remote controller wiring terminal block. Securely fix the wiring using a clamp as indicated in the figure.
- **After connection**
Attach the small sealing (supplied with the unit) around the cables to prevent infiltrating of water from the outside into the unit. If two or more cables are used, divide the small sealing into the required number of pieces and wrap them around all the cables.
- **Attach the control box lid**
 - 1 Control box lid
 - 2 Inter unit wiring
 - 3 Earth cable
 - 4 Inter unit wiring terminal block
 - 5 Clamp (field supply)
 - 6 Remote controller wiring
 - 7 Remote controller wiring terminal block
 - 8 Opening for cables
 - 9 Wiring diagram label (on the back side of the control box lid)

Precautions

- 1 Observe the notes mentioned below when wiring to the power supply terminal board.
 - Use a round crimp-style terminal for insulation sleeve for connection to the terminal block for wiring the units. When none are available, follow the instructions below.



- Do not connect wires of different gauge to the same power supply terminal. (Looseness in the connection may cause overheating.)
- When clamping wiring, use the clamps (delivered with the unit) to prevent outside pressure being exerted on the wiring connections. Tie up firmly. When doing the wiring, make sure the wiring is neat and does not cause the control box to stick up. Close the cover firmly.


- When connecting wires of the same gauge, connect them according to the figure.



Use the specified electric wire. Connect the wire securely to the terminal. Lock the wire down without applying excessive force to the terminal. Use torques according to the table below.

Tightening torque (N·m)	
Terminal block for remote controller	0.79~0.97
Terminal block for wiring the units	1.18~1.44

- When attaching the control box lid, make sure not to pinch any wires.
 - After all wiring connections are done, fill in any gaps in the casing wiring holes with putty or insulation material (field supply) thus to prevent small animals or dirt from entering the unit from outside and causing short circuits in the control box.
- 2 Keep total current of crossover wiring between indoor units less than 12 A. Branch the line outside the terminal block of the unit in accordance with electrical equipment standards, when using two power wiring of a gauge greater than 2 mm² (Ø1.6).
The branch must be sheathed in order to provide an equal or greater degree of insulation as power supply wiring itself.
 - 3 Do not connect wires of different gauge to the same grounding terminal. Looseness in the connection may deteriorate the protection.
 - 4 Remote controller wiring should be located at least 50 mm away from inter unit wiring and other wiring. Not following this guideline may result in malfunction due to electrical noise.
 - 5 For the remote controller wiring, refer to the "Installation manual of the remote controller" supplied with the remote controller.

NOTE  The customer has the ability to select the remote controller thermistor.

- 6 Never connect the inter unit wiring to the remote controller wiring. This mistake could damage the entire system.
- 7 Use only specified wires and tightly connect wires to the terminals. Be careful that wires do not place external stress on the terminals. Keep wiring in neat order so that they do not obstruct other equipment such as popping open the service cover. Make sure the cover closes tight. Incomplete connections could result in overheating, and in the worst case, electric shock or fire.

WIRING EXAMPLE

For the wiring of outdoor units, refer to the installation manual attached to the outdoor units.

Confirm the system type:

- Pair type or multi system: 1 remote controller controls 1 indoor unit (standard system).
- Simultaneous operation system: 1 remote controller controls 2 indoor units (2 indoor units operate equally)
- Group control: 1 remote controller controls up to 16 indoor units (All indoor units operate according to the remote controller).
- 2 remote controller control: 2 remote controllers control 1 indoor unit.


Pair type or multi system (See figure 13)

Simultaneous operation system (See figure 14)

Group control (See figure 15)

2 remote controller control (See figure 16)

- 1 Main power supply
- 2 Main switch
- 3 Fuse
- 4 Remote controller (optional accessories)
- 5 Indoor unit (Master)
- 6 Indoor unit (Slave)

NOTE  It is not necessary to designate indoor unit address when using group control. The address is automatically set when the power is activated.

Precautions

- 1 All transmission wiring except for the remote controller wiring is polarized and must match the terminal symbol.
- 2 In case of group control, perform the remote controller wiring to the master unit when connecting to the simultaneous operation system (wiring to the slave unit is unnecessary).
- 3 For group control remote controller, choose the remote controller that suits the indoor unit which has the most functions (as attached swing flap).
- 4 When controlling the simultaneous operation system with 2 remote controllers, connect it to the master unit (wiring to the slave unit is unnecessary).
- 5 Be sure to connect the wiring to the master unit when combining with a simultaneous operating multi-type in group control.
- 6 Do not ground the equipment on gas pipes, water pipes, lightning rods or crossground with telephones. Improper grounding could result in electric shock.

INSTALLATION OF THE DECORATION PANEL

Refer to the installation manual delivered with the decoration panel.

After installing the decoration panel, ensure that there is no space between the unit body and decoration panel. Otherwise air may leak through the gap and cause dew drop.

FIELD SETTING

Field setting must be made from the remote controller in accordance with the installation condition.

- Setting can be made by changing the "Mode No.", "First code No." and "Second code No."
- For setting and operation, refer to "Field setting" in the installation manual of the remote controller.

Setting ceiling height

Adjust the Second code No. according to the table below so that it corresponds to the ceiling height of your installation. (Second code No. is factory set to "01")

Ceiling height (m)					
FCQ35~140 FCQH71	FCQH100~140	Mode No.	First code No.	Second code No.	
≤2.7	≤3.2	N	13 (23)	0	01
>2.7 or ≤3.0	>3.2 or ≤3.6	H	13 (23)	0	02
>3.0 or ≤3.5	>3.6 or ≤4.2	S	13 (23)	0	03

The figure of ceiling height is for air discharge in all directions.

Setting air discharge direction

For changing air discharge direction (2, 3 or 4 directions), refer to the option handbook of the optional blocking pad kit. (Second code No. is factory set to "01" for all-round air discharge)

Setting air filter sign

Remote controllers are equipped with liquid crystal air filter signs to display the time to clean the air filter.

Change the Second code No. Depending on the amount of dirt or dust in the room. (Second code No. is factory set to "01" for air filter contamination-light)

Air filter contamination

Setting	Display interval	Mode No.	First code No.	Second code No.
Light	±2500 hrs	10 (20)	0	01
Heavy	±1250 hrs	10 (20)	0	02
No display	—	10 (20)	3	02

When using wireless remote controllers it is necessary to use address setting. Refer to the installation manual attached to the wireless remote controller for the setting instructions.

Setting indoor unit number of simultaneous operation system

When using in simultaneous operation system mode, change the Second code No. as shown in the table. (Second code No. is factory set to "01" for 1 connected unit.)

Setting	Mode No.	First code No.	Second code No.
Pair system (1 unit)	11 (21)	0	01
Simultaneous operation system (2 unit)			02
Simultaneous operation system (3 unit)			03
Simultaneous operation system (4 unit)			04

When using in simultaneous operation system mode, refer to "Simultaneous operation system individual setting" on page 8 to set master and slave units separately.

When using wireless remote controllers

When using wireless remote controllers, wireless remote controller address setting is necessary. Refer to the installation manual attached to the wireless remote controller for setting instructions.

Simultaneous operation system individual setting

It is easier if the optional remote controller is used when setting the slave unit.

Perform the following procedures when setting the master and slave unit separately.

Procedure (See figure 17)

- 1 Main power supply
- 2 Main switch
- 3 Fuse
- 4 Remote controller (optional accessories)
- 5 Indoor unit (Master)
- 6 Indoor unit (Slave)

- 1 Change the Second code No. to "02", individual setting, so that the slave unit can be individually set. (Second code No. is factory set to "01", unified setting.)

Setting	Mode No.	First code No.	Second code No.
Unified setting	11 (21)	1	01
Individual setting			02

- 2 Perform field setting for the master unit.
- 3 Turn off the main power supply switch after (2).
- 4 Detach remote controller from the master unit and connect it to the slave unit.
- 5 Turn on the main power supply switch again, and as in (1), change the Second code No. to "02", individual setting.
- 6 Perform field setting for the slave unit.
- 7 Turn off the main power supply switch after (6).
In case there are 2 or more slave units, repeat steps (4) to (7) for all slave units.
- 8 Detach the remote controller from the slave unit after the setting, and reattach to the master unit. This is the end of the setting procedure.

You do not need to rewire the remote controller from the master unit if the optional remote controller for slave unit is used. (However, remove the wires attached to the remote controller terminal board of the master unit.)

TEST OPERATION

Refer to "For the following items, take special care during construction and check after installation is finished" on page 2.

After finishing the construction of refrigerant piping, drain piping, and electric wiring, conduct test operation accordingly to protect the unit.

Test operation after installing decoration panel

- 1 Open the gas side stop valve.
- 2 Open the liquid side stop valve.
- 3 Electrify crank case heater for 6 hours.
- 4 Set to cooling operation with the remote controller and start operation by pushing ON/OFF button.

WIRING DIAGRAM

Indoor unit

A1P	Printed circuit board
A2P	Printed circuit board (humidity sensor unit)
F1U	Fuse (T, 5 A, 250 V) (only for FCQ35~60)
HAP	Light emitting diode (service monitor - green)
KPR	Magnetic relay (M1P)
M1F	Motor (indoor fan)
M1P	Motor (drain pump)
M1S	Motor (swing flap)
PS	Power supply circuit
R1T	Thermistor (air)
R2T	Thermistor (coil)
R3T	Thermistor (coil) (only for FCQ35~60)
RC	Signal receiver circuit
S1L	Float switch
SS1	Selector switch (emergency)
TC	Signal transmission circuit
X1M,X2M	Terminal strip
Z1C	Ferrite core

Receiver/display unit (attached to wireless remote controller)

A3P,A4P	Printed circuit board
BS1	ON/OFF button
H1P	Light emitting diode (On - Red)
H2P	Light emitting diode (Timer - Green)
H3P	Light emitting diode (Filter sign- Red)
H4P	Light emitting diode (Defrost - Orange)
SS1	Selector switch (MAIN/SUB)
SS2	Selector switch (wireless address set)

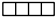
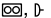

Connector for optional parts

X24A	Connector (wireless remote controller)
X33A	Connector (adaptor for wiring)
X35A	Connector (group control adaptor)

Wired remote controller

R1T	Thermistor (air)
SS1	Selector switch (MAIN/SUB)

Notes

1  : Terminal  : Connector  : Field wiring

2 In case of using a central remote controller, connect it to the unit in accordance with the attached installation manual.

3 X24A, X33A, X35A are connected when the optional accessories are being used.

4 Remote controller model varies according to the combination system, confirm engineering data and catalogs, etc., before connecting.

5 Confirm the method of setting the selector switch (SS1, SS2) by installation manual and engineering data, etc..

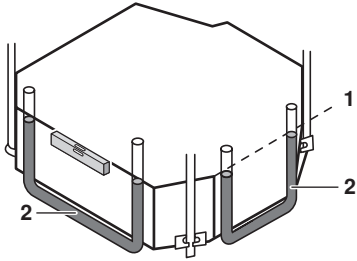
6 Colour legend

BLK	: Black	BLU	: Blue	BRN	: Brown
GRN	: Green	GRY	: Gray	ORG	: Orange
RED	: Red	WHT	: White	YLW	: Yellow

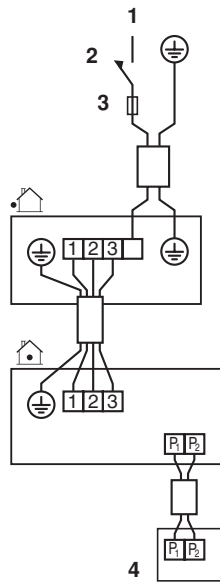
In case of simultaneous operation system	:
Indoor unit (Master) / (Slave)	:
To outdoor unit	:
Remote controller	:
Control box	:
Receiver/display unit	:
Central remote controller	:
Wired remote controller	:

NOTES

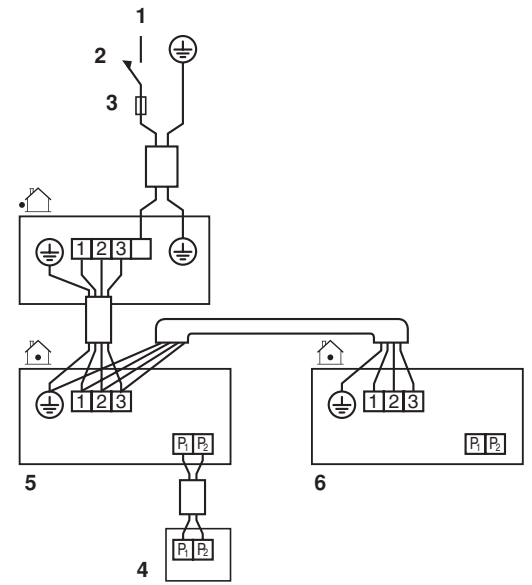




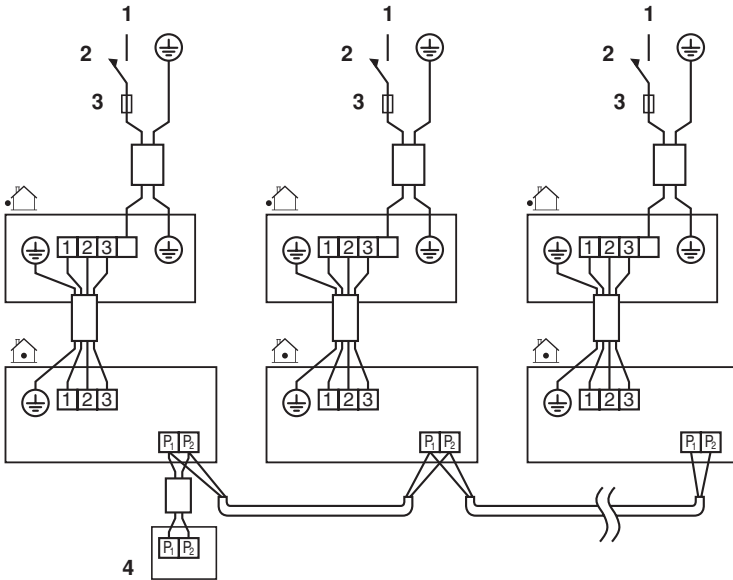
12



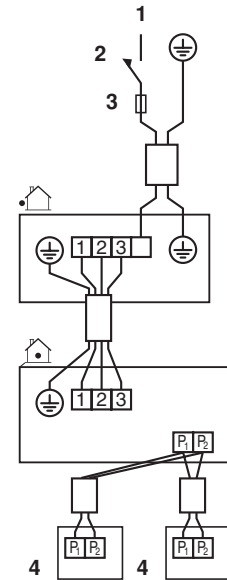
13



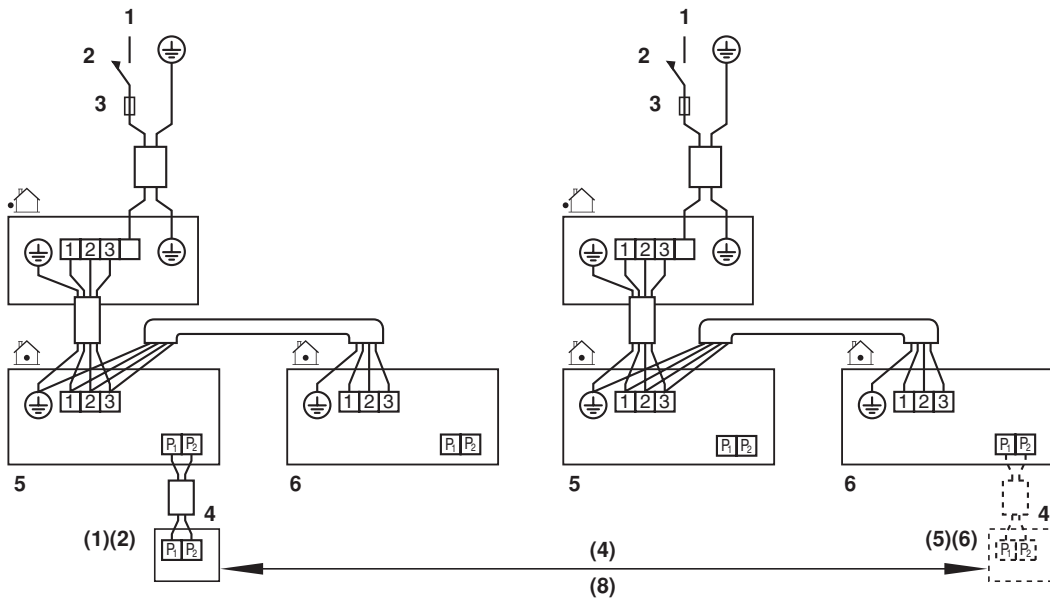
14



15



16



17

