

technical data



FDQ-B8V3B

Concealed Ceiling Unit

air conditioning systems

Split
Sky Air

TABLE OF CONTENTS

FDQ-B8V3B

1	Features	2
2	Specifications	3
	For indoor units only	3
	Technical Specifications	3
	Electrical Specifications	4
3	Options	5
4	Control systems	6
5	Dimensional drawing & centre of gravity	7
	Dimensional drawing	7
6	Piping diagram	8
7	Wiring diagram	9
	Wiring diagram	9
8	Sound data	10
	Sound pressure spectrum	10
	Sound power spectrum	11
9	Fan characteristics	12
10	Installation	13
	Installation method	13

1 Features

- Lightweight and compact
- Leaves maximum floor and wall space for furniture, decorations and fittings
- Blends unobtrusively with any interior décor: only the suction and discharge grilles are visible
- Extremely quiet in operation
- Easy to install
- High external static pressure facilitates unit use with flexible ducts of varying lengths
- Daikin remote controls give you easy control at your fingertips.
- The wired remote control provides you with a schedule timer, enabling to program the air conditioning daily or weekly.
- The optional remote ON/OFF enables you to start/stop the air conditioning from a mobile phone via a telephone remote control (field supply).
- The optional forced OFF enables you to switch off the unit automatically. E.g. when a window is opened, the unit switches off.
- The 'home leave' operation button prevents large temperature differences by continuously operating at a minimum (heating mode) or maximum (cooling mode) preset level while you're out or sleeping. It also allows the indoor temperature to return quickly to your favourite comfort level.



standard



optional



2 steps:
FDQ250, 3
steps:
FDQ125,200



optional

2 Specifications

2-1 FOR INDOOR UNITS ONLY			FDQ125B8V3B	FDQ200B8V3B	FDQ250B8V3B
Nominal Input	Cooling	kW		1.340	1.340
	Heating	kW		1.340	1.340

2-2 TECHNICAL SPECIFICATIONS				FDQ125B8V3B	FDQ200B8V3B	FDQ250B8V3B		
Casing	Colour			Non painted				
	Material			Galvanised steel				
Dimensions	Packing	Height	mm	512	607	607		
		Width	mm	1515	1515	1515		
		Depth	mm	795	1055	1055		
	Unit	Height	mm	350	450	450		
		Width	mm	1400	1400	1400		
		Depth	mm	662	900	900		
Weight	Unit		kg	59.0	93.0	93.0		
	Packed Unit		kg	80.0	111.0	111.0		
Required Ceiling Void			mm	350	450	450		
Heat Exchanger	Dimensions	Length	mm	1150	1255	1255		
		Nr of Rows			3	3	3	
		Fin Pitch	mm	1.75	2.00	2.00		
		Nr of Passes			10	13	13	
		Face Area	m ²	0.338	0.634	0.634		
		Nr of Stages			14	24	24	
	Tube type			Hi-XSS (7)	Hi-XSS (8)	Hi-XSS (8)		
	Fin	Type		Rhombus	Non-symmetric fin	Non-symmetric fin		
Treatment			Hydrophilic					
Fan	Type			Sirocco fan				
	Quantity			2	2	2		
Air Flow Rate	Cooling	Medium	m ³ /min	43.0	69.0	89.0		
	Heating	Medium	m ³ /min	43.0	69.0	89.0		
Fan	Max	High	Pa	150	250	250		
		Standard	Pa	150	250	250		
		Low	Pa	150	250	250		
		Motor			Quantity	1	1	
				Model	DPA216-178NB	DPC241-241NB	DPC241-241NB	
				Number of steps	3	3	2	
				Output (high)	W	500	650	1000
				Drive	Direct drive			
Cooling	Sound Power	Medium	dBA	75.0	81.0	82.0		
	Sound Pressure	High	dBA	44.0	45.0	47.0		
Heating	Sound Pressure	Low	dBA	44.0	45.0	47.0		
Refrigerant	Type			R-410A				
Piping connections	Liquid (OD)	Type		Flare connection				
		Diameter (OD)	mm	9.5	9.5	12.7		
	Gas	Type		Flare connection	Braze connection	Braze connection		
		Diameter (OD)	mm	15.9	22.2	22.2		
	Drain	Diameter (OD)	mm		25	25		
Heat Insulation			Both liquid and gas pipes					
Air Filter	As option			Resin net with mold resistance	Resin net with mold resistance			
Air direction control	Up and downwards							
Temperature control	Microprocessor thermostat for cooling and heating							
Safety Devices	Fan motor thermal fuse							
Standard Accessories	Item			Installation and operation manual				
	Quantity			1	1	1		

2 Specifications

2

2-2 TECHNICAL SPECIFICATIONS	FDQ125B8V3B	FDQ200B8V3B	FDQ250B8V3B
Notes	Sound values are measured in an anechoic room.		
	The sound pressure level is measured via a microphone at 1m distance of the unit.		
	Sound pressure level is a relative value, depending on the distance and acoustic environment. For more details, please refer to sound level drawings of this chapter.		
	The sound power level is an absolute value indicating the power which a sound source generates.		

2-3 ELECTRICAL SPECIFICATIONS		FDQ125B8V3B	FDQ200B8V3B	FDQ250B8V3B
Power Supply	Name	V3		
	Phase	1	1	1
	Frequency	Hz	50	50
	Voltage	V	230	230
Voltage range	Minimum	-10%		
	Maximum	+10%		
Power Supply Intake		Both indoor and outdoor unit		
Notes		For more details, please refer to the wiring diagram, name plate and installation manual.		

3 Options

FDQ-B

Name of option		FDQ125-200-250B
Wiring adaptor for electrical appendices		KRP4A51
Adapter for wiring (interlock for fresh air intake)		KRP1B54
Interface adapter for Sky Air series		DTA112B51
Central remote control		DCS302C51
unified ON/OFF control		DCS301B51
Schedule timer		DST301B51
Option PCB for electrical heater, humidifier and/or hour meter. *1		EKRP1B2
Remote control	Wired type	BRC1D52
Remote ON/OFF, forced OFF		EKRORO

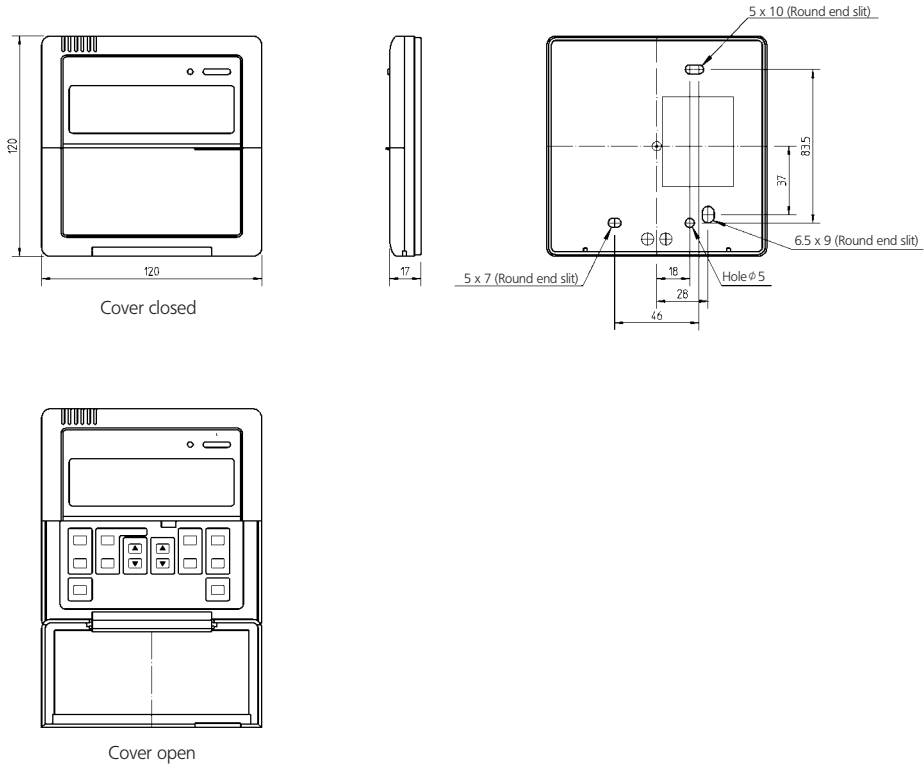
3TW22809-1F

*1 Electrical heater, humidifier and hour meter are field supply. These parts should not be installed inside the equipment. (Refer to installation manual EKRP1B2).

4 Control systems

4

BRC1D52



3TW23651-2

6

5 Dimensional drawing & centre of gravity

5 - 1 Dimensional drawing

FDQ125B

Notes:

- ① : Service space
- 1 Power supply intake
- 2 Drain connection ϕ 25 O.D.
- 3 Liquid pipe connection single union joint 5/8"
- 4 Liquid pipe connection single union joint 3/8"
- 5 Filter

3TW26054-1

FDQ200-250B

Notes:

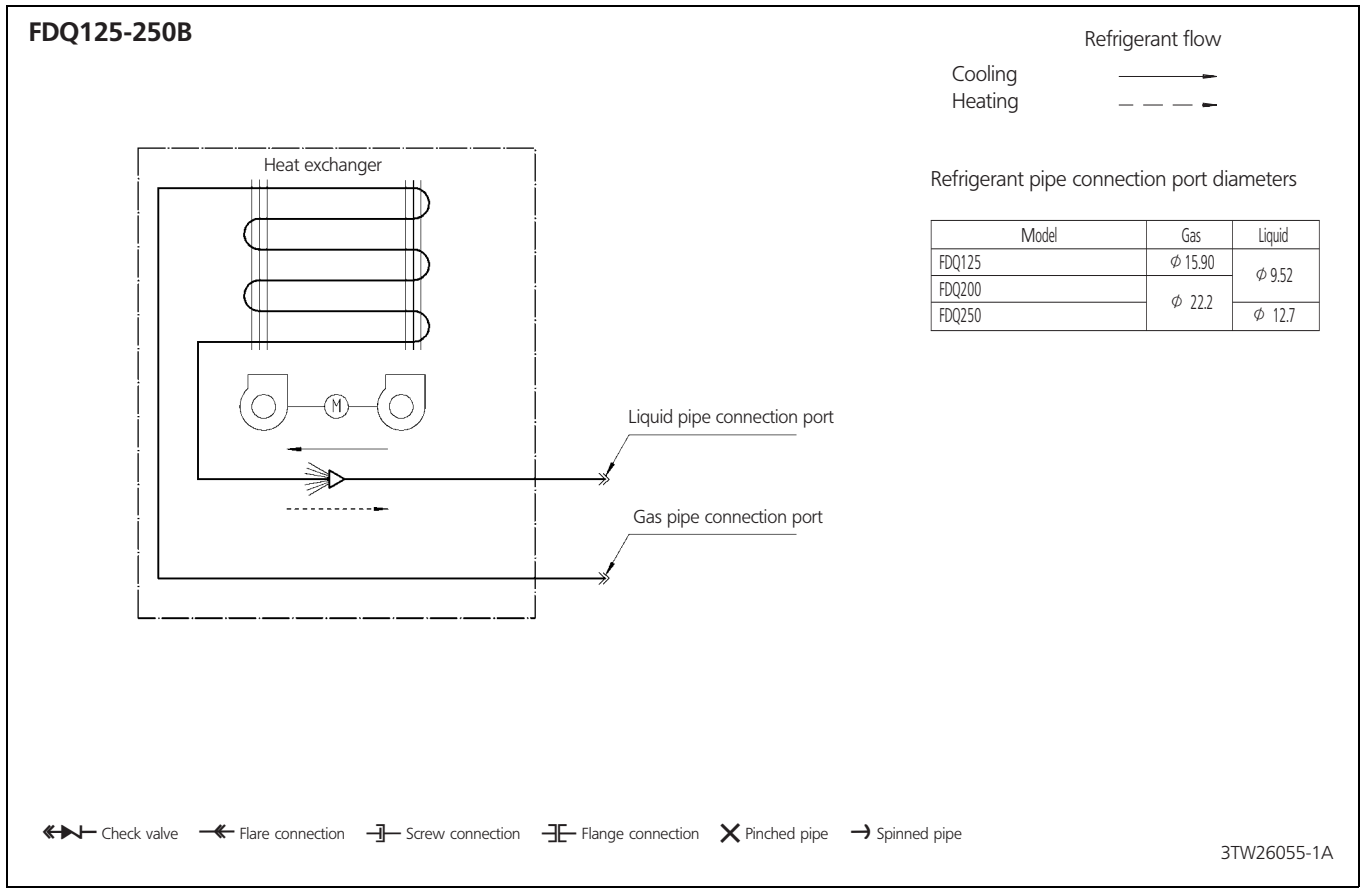
- ① : Service space
- ② : Extra service space for optional drain pump
- 1 Power supply intake
- 2 Drain connection ϕ 25 O.D.
- 3 Gas pipe connection FDQ200/250 : 7/8" O.D. or 22.2 mm O.D.
- 4 Liquid pipe connection FDQ200 : Single union joint 3/8" or 9.52mm
FDQ250 : Single union joint 1/2" or 12.7mm
- 5 Filter

Model	A	B
FDQ200	830	285
FDQ250	890	255

3TW22814-1C

6 Piping diagram

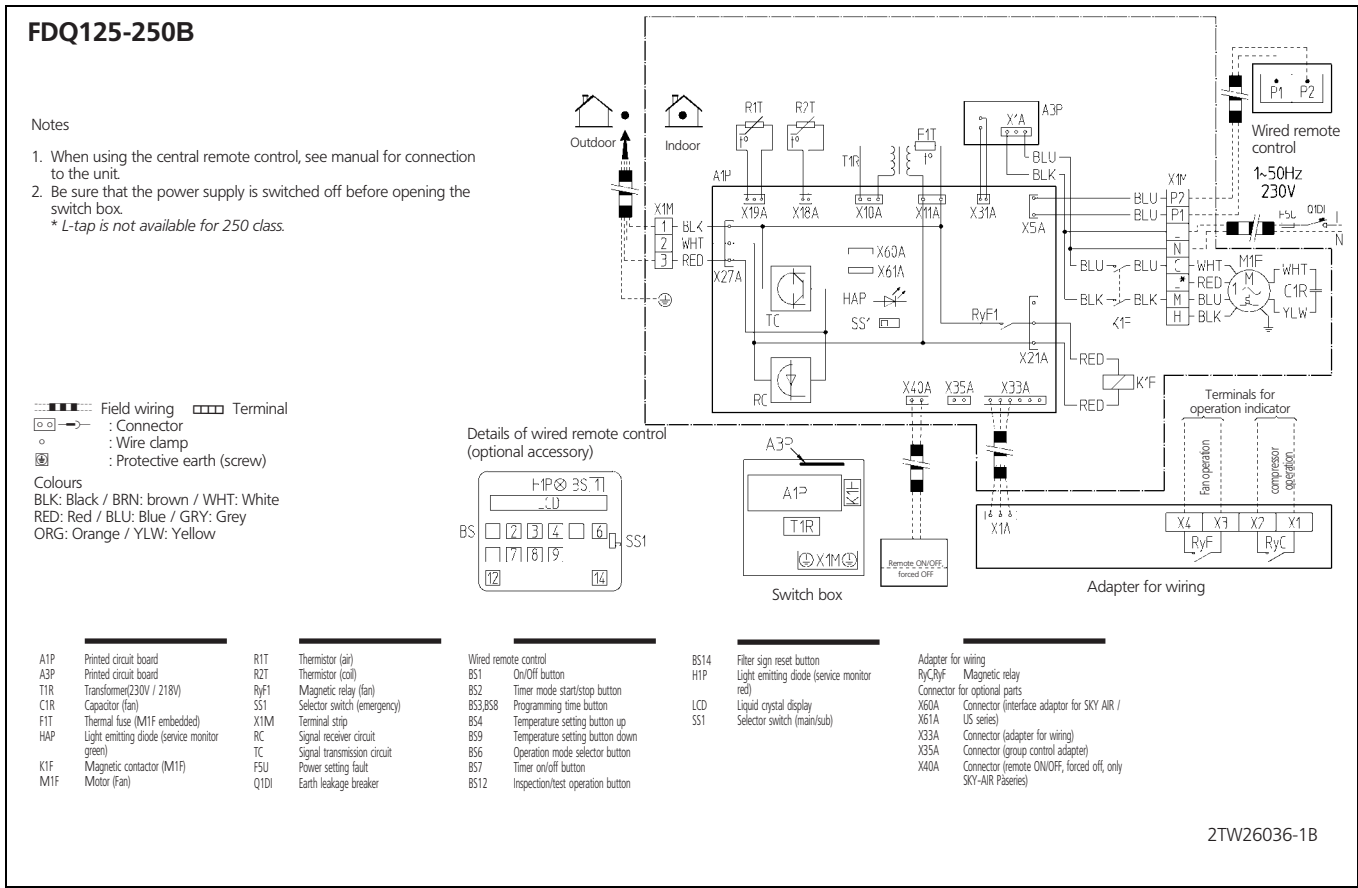
6



8

7 Wiring diagram

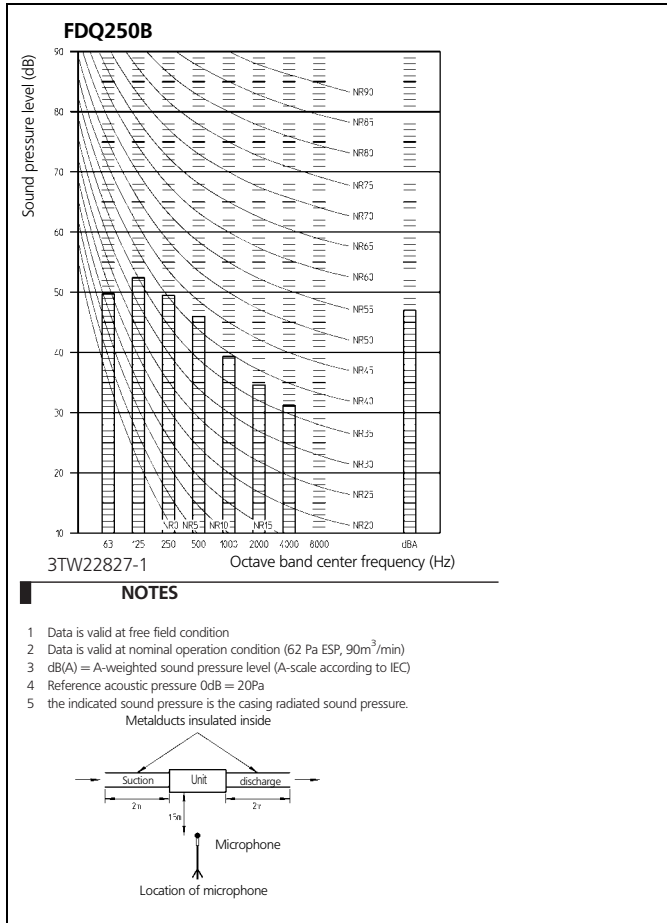
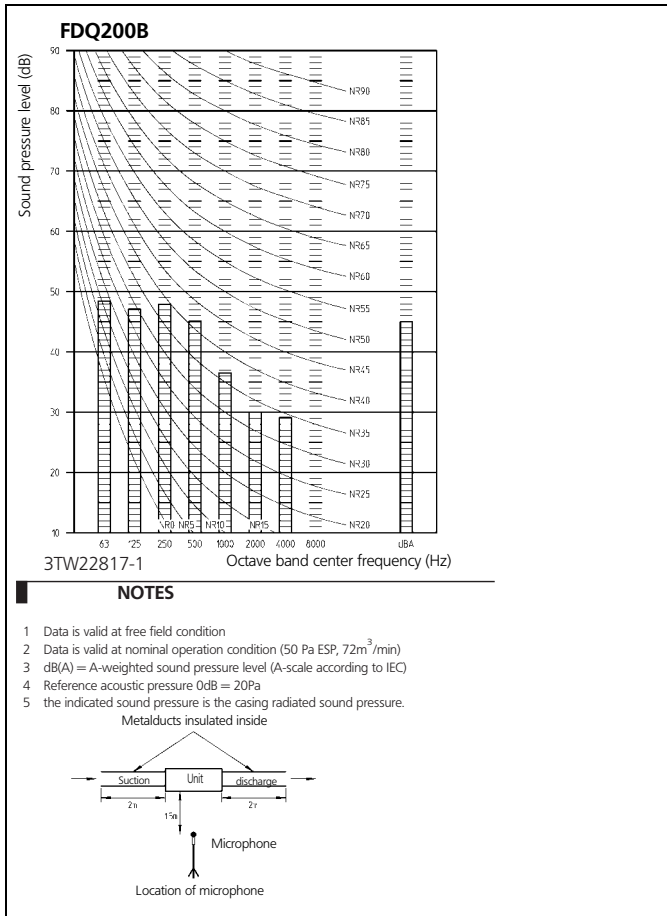
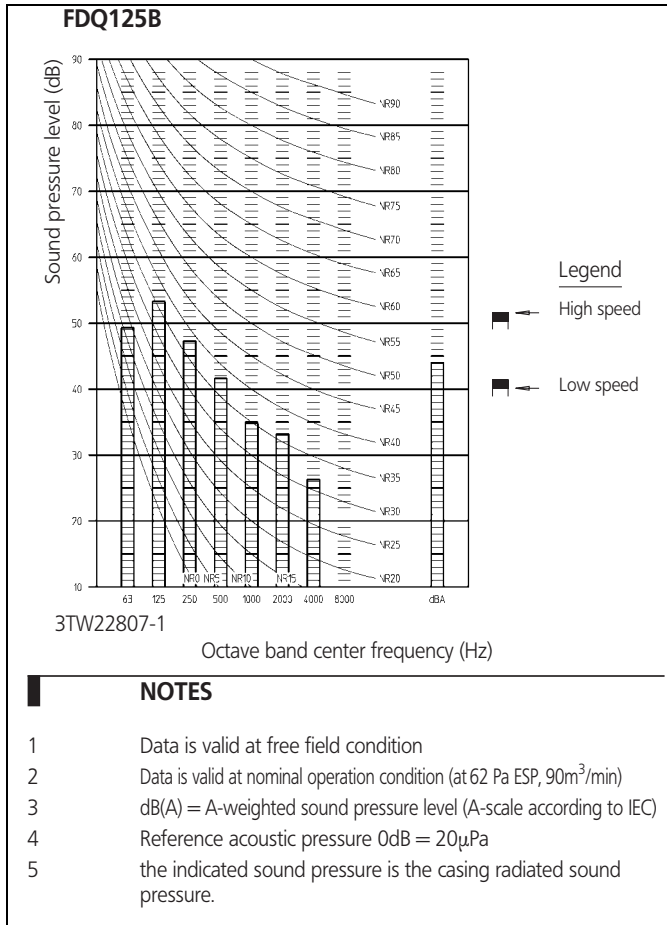
7 - 1 Wiring diagram



8 Sound data

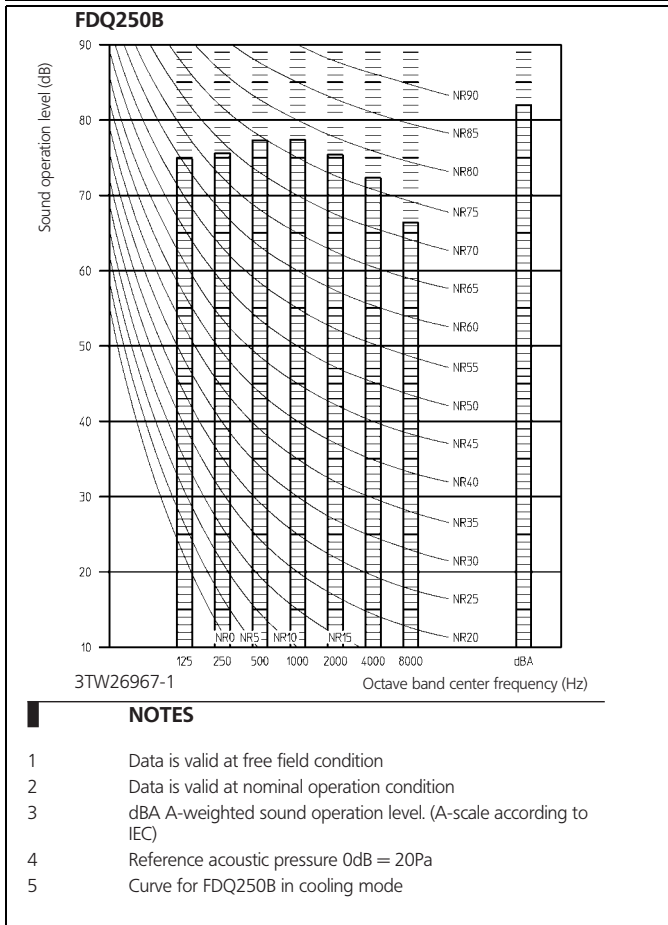
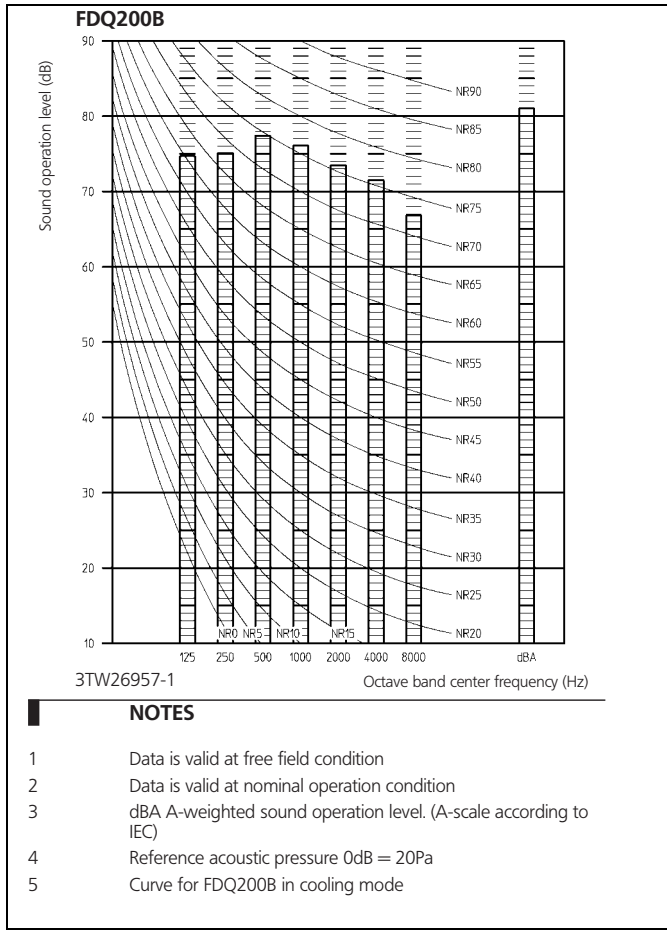
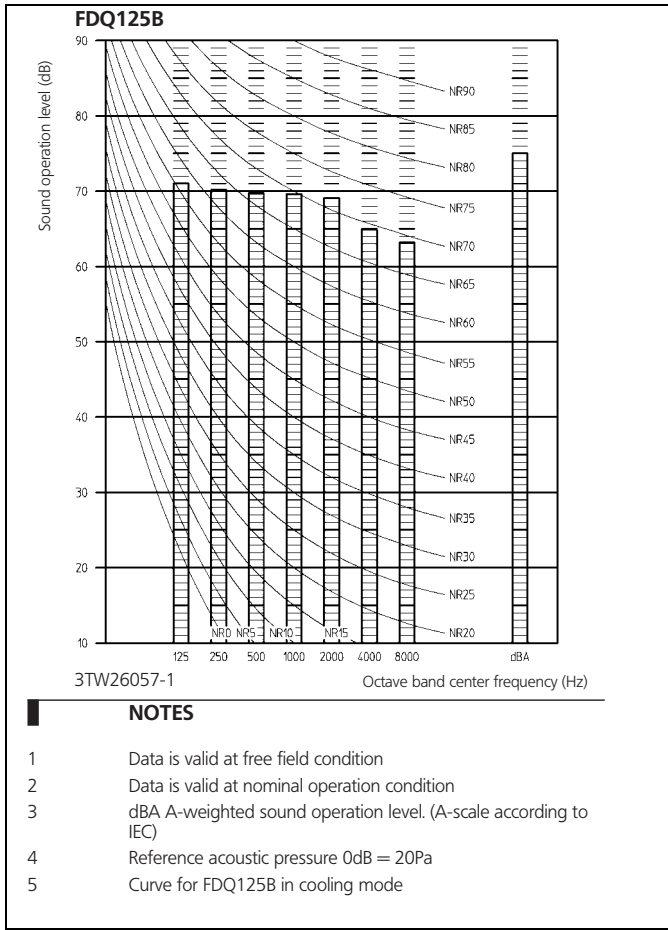
8 - 1 Sound pressure spectrum

8



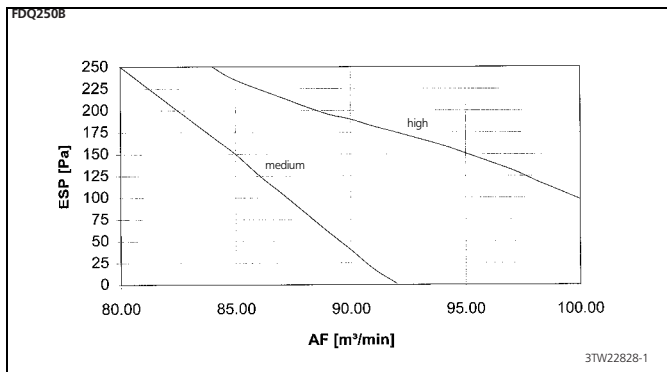
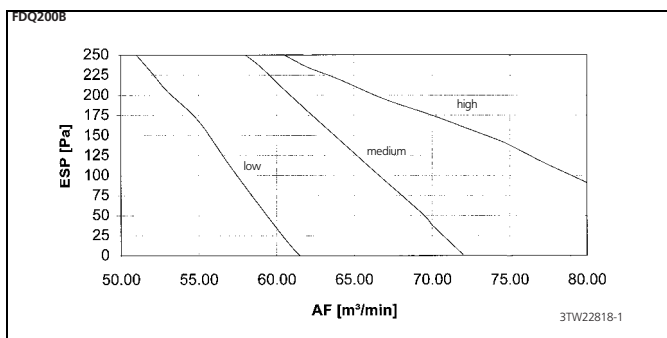
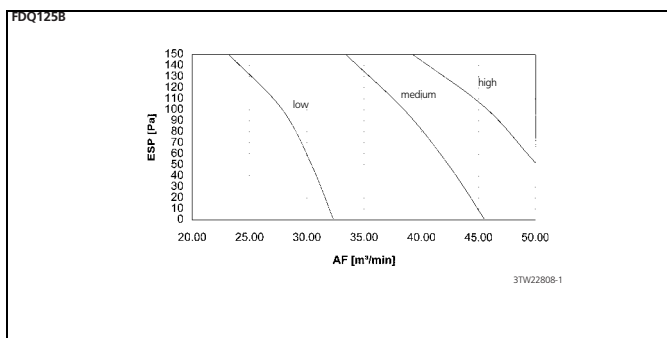
8 Sound data

8 - 2 Sound power spectrum



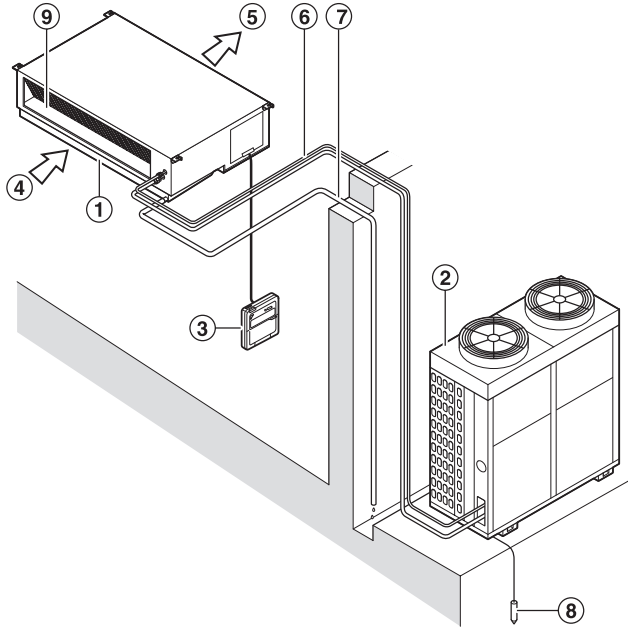
9 Fan characteristics

9



10 Installation

10 - 1 Installation method



Number	Description
1	Indoor unit
2	Outdoor unit
3	Remote control
4	Inlet air
5	Discharged air
6	Refrigerant piping, connection electric wire
7	Drain pipe
8	Ground wire Wire to ground from the outdoor unit to prevent electrical shocks.
9	Air filter

Split - Sky Air

The present publication is drawn up by way of information only and does not constitute an offer binding upon Daikin Europe N.V.. Daikin Europe N.V. has compiled the content of this publication to the best of its knowledge. No express or implied warranty is given for the completeness, accuracy, reliability or fitness for particular purpose of its content and the products and services presented therein. Specifications are subject to change without prior notice. Daikin Europe N.V. explicitly rejects any liability for any direct or indirect damage, in the broadest sense, arising from or related to the use and/or interpretation of this publication. All content is copyrighted by Daikin Europe N.V..



ISO14001 assures an effective environmental management system in order to help protect human health and the environment from the potential impact of our activities, products and services and to assist in maintaining and improving the quality of the environment.



Daikin Europe N.V. is approved by LRQA for its Quality Management System in accordance with the ISO9001 standard. ISO9001 pertains to quality assurance regarding design, development, manufacturing as well as to services related to the product.



Daikin units comply with the European regulations that guarantee the safety of the product.



Daikin Europe N.V. is participating in the EUROVENT Certification Programme. Products are as listed in the EUROVENT Directory of Certified Products.

DAIKIN EUROPE N.V.

Zandvoordestraat 300
B-8400 Ostend - Belgium
www.daikineurope.com

