



technical data

FT(Y)S-B

Wall Mounted Unit



air conditioning systems

Split Sky Air

Split - Sky Air



ISO14001 assures an effective environmental management system in order to help protect human health and the environment from the potential impact of our activities, products and services and to assist in maintaining and improving the quality of the environment



Daikin units comply with the European regulations that guarantee the safety of the product.



Daikin Europe N.V. is approved by LRQA for its Quality Management System in accordance with the ISO9001 standard. ISO9001 pertains to quality assurance regarding design, development, manufacturing as well as to services related to the product.



Daikin Europe N.V. is participating in the EUROVENT Certification Programme. Products are as listed in the EUROVENT Directory of Certified Products.

Specifications are subject to change without prior notice.

DAIKIN EUROPE N.V.

Zandvoordestraat 300
B - 8400 Ostend Belgium
Internet: <http://www.daikineurope.com>

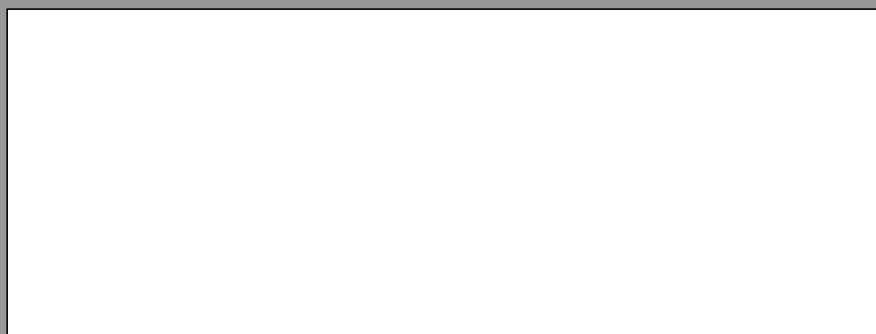




TABLE OF CONTENTS

FT(Y)S-B

1	Features	2
2	Specifications	3
	Nominal capacity, capacity steps and nominal input	
	Technical specifications	
3	Dimensional drawings	7
4	Piping diagrams	9
5	Wiring diagrams	10
6	Sound level	12
	Sound level data	
	Sound pressure spectrum	
7	Accessories	16
	Standard accessories	
	Optional accessories	
8	Control systems	17
9	Center of gravity	19
10	Installation	20

For capacity tables, please refer to part II: outdoor units





1 Features

1

- Lightweight and compact
- Extremely quiet in operation both indoors and outdoors
- Automatic air flow director ensures uniform air flow and temperature distribution
- Powerful mode can be selected for rapid cooling or heating.
- Air purification filter
 - deodorises the air
 - helps to prevent bacterial and viral propagation
- Photocatalytic deodorising air filter:
 - powerful decomposes cigarette and pet odours
 - removes house dust and pollen
 - deactivates bacteria and viruses
- Washable front panel
- The outdoor unit can easily be mounted on a roof, a terrace or placed against an outside wall.
- The remote control has a 24 hour timer
- The indoor model also has a start/stop button mounted on the front panel
- Up to 5 indoor units can be operated from a single centralised control
- Purpose designed holder provided for your remote control



Standard



Optional



FTYS



FTS



5 steps



50,60 class only



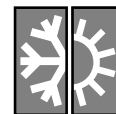


2 Specifications

NOMINAL CAPACITY and NOMINAL INPUT								
For indoor units only:								
INDOOR UNITS				FTS20BVMB	FTS25BVMB	FTS35BVMB	FTS50BVMB	FTS60BVMB
NOMINAL INPUT	Cooling	Nominal	kW	0.040	0.040	0.040	0.040	0.040

For combination indoor + outdoor units (air cooled):								
INDOOR UNITS				FTS20BVMB	FTS25BVMB	FTS35BVMB	FTS50BVMB	FTS60BVMB
OUTDOOR UNITS				RS20BVMB	RS25BVMB	RS35BVMB	RS50BVMB	RS60BVMB
NOMINAL CAPACITY (2-3)	Cooling (1)	Nominal	kW	2.00	2.50	3.15	5.00	6.00
NOMINAL INPUT	Cooling	Nominal	kW	0.69	0.89	1.12	1.66	2.12
EER				2.90	2.81	2.81	3.01	2.83
ENERGY LABEL	Cooling			C	C	C	B	C
ANNUAL ENERGY CONSUMPTION	Cooling		kWh	345	445	560	830	1,060

TECHNICAL SPECIFICATIONS								
For indoor units only:								
INDOOR UNITS				FTS20BVMB	FTS25BVMB	FTS35BVMB	FTS50BVMB	FTS60BVMB
DIMENSIONS	Unit	H	mm	273			290	290
		W	mm	784			795	1,050
		D	mm	185			230	230
			kg	7.5			9	12
WEIGHT	Unit							
COLOUR	Unit			White				
SOUND LEVEL	Sound pressure (cooling) (4)	high	dB(A)	38	39	39	44	45
		low	dB(A)	26	27	27	35	36
	Sound power (cooling) (5)	high	dB(A)	54	55	55	63	63
FAN	Air flow rate (cooling)	high	m ³ /min	7.5	7.8	8.0	11.5	16.4
		low	m ³ /min	3.9	4.2	4.5	8.3	11.6
	Speed	steps		5 steps, silent and auto				
		high	rpm	1,260	1,300	1,330	1,330	1,320
		medium	rpm	1,015	1,055	1,090	1,160	1,160
		low	rpm	770	810	850	980	1,000
Type			Cross flow fan					
Motor output		W	18			40		
HEAT EXCHANGER	Type		ML fin - ϕ 7Hi - XA tube					
	Rows x stages x fin pitch	mm	2 x 12 x 1.4	2 x 12 x 1.4	2 x 16 x 1.4	2 x 16 x 1.4	2 x 16 x 1.4	
AIR FILTER			Removable/washable/mildew proof					
TEMPERATURE CONTROL			Microprocessor control					
PIPING CONNECTIONS	liquid	mm	ϕ 6.4					
	gas	mm	ϕ 9.5			ϕ 12.7		
	drain	mm	ϕ 18.0					
INSULATION MATERIAL	Heat insulation tape		Both liquid and gas pipes					
For outdoor units	Pair application		See chapter RS-B					



2 Specifications

2

ELECTRICAL SPECIFICATIONS				FTS20BVMB	FTS25BVMB	FTS35BVMB	FTS50BVMB	FTS60BVMB
For indoor units only:								
CURRENT	Nominal running current	cooling	A	0.18	0.18	0.18	0.18	0.18
	Maximum running current	cooling	A	See chapter RS-B: electrical data				
For combination indoor units + outdoor units:								
				FTS20BVMB	FTS25BVMB	FTS35BVMB	FTS50BVMB	FTS60BVMB
				RS20BVMB	RS25BVMB	RS35BVMB	RS50BVMB	RS60BVMB
CURRENT	Nominal running current	cooling	A	3.4	4.5	6.0	7.3	9.3
	Maximum running current	cooling	A	See chapter RS-B: electrical data				
	Starting current	cooling	A					
For indoor units only:								
POWER SUPPLY				VM	VM	VM	VM	VM
NOMINAL DISTRIBUTION SYSTEM VOLTAGE	Phase			1~	1~	1~	1~	1~
	Frequency		Hz	50	50	50	50	50
	Voltage		V	230	230	230	230	230

NOTES

- 1 Nominal cooling capacities are based on: indoor temperature 27°CDB/19°CWB * outdoor temperature 35°CDB * refrigerant piping length: 7.5m * level difference: 0m.
- 2 Capacities are net, including a deduction for cooling (an addition for heating) for indoor fan motor heat.
- 3 Units should be selected on nominal capacity. Maximum capacity is limited to peak periods.
- 4 The sound pressure level is measured via a microphone at a certain distance from the unit. For measuring conditions: please refer to item 6 of this chapter.
- 5 The sound power level is an absolute value indicating the "power" which a sound source generates.
- 6 Energy label: scale from A (most efficient) to G (less efficient).
- 7 Annual energy consumption: based on average use of 500 running hours per year at full load (= nominal conditions)

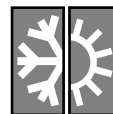


2 Specifications

NOMINAL CAPACITY and NOMINAL INPUT								
For indoor units only:								
INDOOR UNITS				FTYS20BVMB	FTYS25BVMB	FTYS35BVMB	FTYS50BVMB	FTYS60BVMB
NOMINAL INPUT	Cooling	Nominal	kW	0.040	0.040	0.040	0.040	0.040
	Heating	Nominal	kW	0.040	0.040	0.040	0.040	0.040

For combination indoor + outdoor units (air cooled):								
INDOOR UNITS				FTYS20BVMB	FTYS25BVMB	FTYS35BVMB	FTYS50BVMB	FTYS60BVMB
OUTDOOR UNITS				RYS20BVMB	RYS25BVMB	RYS35BVMB	RYS50BVMB	RYS60BVMB
NOMINAL CAPACITY (3-4)	Cooling (1)	Nominal	kW	2.00	2.50	3.15	5.00	6.00
	Heating (2)	Nominal	kW	2.60	3.30	4.10	5.80	7.00
NOMINAL INPUT	Cooling	Nominal	kW	0.69	0.89	1.12	1.66	2.12
	Heating	Nominal	kW	0.805	1.025	1.345	1.70	2.09
EER	Cooling			2.90	2.81	2.81	3.01	2.83
	Heating			3.23	3.22	3.05	3.41	3.35
ENERGY LABEL	Cooling			C	C	C	B	C
	Heating			C	C	D	B	C
ANNUAL ENERGY CONSUMPTION	Cooling		kWh	345	445	560	830	1,060

TECHNICAL SPECIFICATIONS								
For indoor units only:								
INDOOR UNITS				FTYS20BVMB	FTYS25BVMB	FTYS35BVMB	FTYS50BVMB	FTYS60BVMB
DIMENSIONS	Unit	H	mm	273			290	290
		W	mm	784			795	1,050
		D	mm	185			230	230
WEIGHT	Unit		kg	7.5			9	12
COLOUR	Unit			White				
SOUND LEVEL	Sound pressure (cooling/heating) (5)	high	dB(A)	38/38	39/39	39/39	44/42	45/44
		low	dB(A)	26/26	27/27	27/27	35/*	36/*
	Sound power (cooling/heating) (6)	high	dB(A)	54/54	55/*	55/*	63/60	63/62
FAN	Air flow rate (cooling/heating)	high	m ³ /min	7.5/7.6	7.8/7.9	8.0/7.9	11.5/12.2	16.4/17.5
		low	m ³ /min	3.9/5.0	4.2/5.3	4.5/5.4	8.3/8.8	11.6/12.8
	Speed (cooling/heating)	steps		5 steps, silent and auto				
		high	rpm	1,260/1,220	1,300/1,260	1,330/1,260	1,330/1,370	1,320/1,330
		medium	rpm	1,015/1,050	1,055/1,090	1,090/1,100	1,160/1,190	1,160/1,180
	low	rpm	770/880	810/920	850/940	980/1,000	1,000/1,020	
Type			Cross flow fan					
Motor output		W	18			40	43	
HEAT EXCHANGER	Type		ML fin - ϕ 7Hi - XA tube					
	Rows x stages x fin pitch	mm	2 x 12 x 1.4	2 x 12 x 1.4	2 x 12 x 1.4	2 x 16 x 1.4	2 x 16 x 1.4	
AIR FILTER			Removable/washable/mildew proof					
TEMPERATURE CONTROL			Microprocessor control					
PIPING CONNECTIONS	liquid	mm	ϕ 6.4					
	gas	mm	ϕ 9.5			ϕ 12.7		
	drain	mm	ϕ 18.0					
INSULATION MATERIAL	Heat insulation tape		Both liquid and gas pipes					
For outdoor units	Pair application		See chapter RYS-B					



2 Specifications

2

ELECTRICAL SPECIFICATIONS				FTYS20BVMB	FTYS25BVMB	FTYS35BVMB	FTYS50BVMB	FTYS60BVMB
For indoor units only:								
CURRENT	Nominal running current	cooling	A	0.18	0.18	0.18	0.18	0.18
		heating	A	0.18	0.18	0.18	0.18	0.18
	Maximum running current	cooling	A	See chapter RXS-B: electrical data				
		heating	A					

For combination indoor units + outdoor units:				FTYS20BVMB	FTYS25BVMB	FTYS35BVMB	FTYS50BVMB	FTYS60BVMB
				RYS20BVMB	RYS25BVMB	RYS35BVMB	RYS50BVMB	RYS60BVMB
CURRENT	Nominal running current	cooling	A	3.4	4.5	6.0	7.3	9.3
		heating	A	4.1	5.0	6.9	7.5	9.2
	Maximum running current	cooling	A	See chapter RYS-B: electrical data				
		heating	A					
	Starting current	cooling	A					
		heating	A					

For indoor units only:				FTYS20BVMB	FTYS25BVMB	FTYS35BVMB	FTYS50BVMB	FTYS60BVMB
POWER SUPPLY				VM	VM	VM	VM	VM
NOMINAL DISTRIBUTION SYSTEM VOLTAGE	Phase			1~	1~	1~	1~	1~
	Frequency		Hz	50	50	50	50	50
	Voltage		V	230	230	230	230	230

NOTES

- 1 Nominal cooling capacities are based on: indoor temperature 27°CDB/19°CWB * outdoor temperature 35°CDB * refrigerant piping length: 7.5m * level difference: 0m.
- 2 Nominal heating capacities are based on: indoor temperature 20°CDB * outdoor temperature 7°CDB/6°CWB * refrigerant piping length 7.5m (horizontal) * level difference 0m.
- 3 Capacities are net, including a deduction for cooling (an addition for heating) for indoor fan motor heat.
- 4 Units should be selected on nominal capacity. Maximum capacity is limited to peak periods.
- 5 The sound pressure level is measured via a microphone at a certain distance from the unit. For measuring conditions: please refer to item 6 of this chapter.
- 6 The sound power level is an absolute value indicating the "power" which a sound source generates.
- 7 Energy label: scale from A (most efficient) to G (less efficient).
- 8 Annual energy consumption: based on average use of 500 running hours per year at full load (= nominal conditions)



3 Dimensional drawings

3

FT(Y)S20-25-35B

The mark (→) shows piping direction

Bottom

Signal transmitter

Indoor unit ON/OFF switch

Home leave lamp

Signal receiver

Room temp. thermistor

Intelligent eye sensor

Timer lamp

Operation lamp

Flaps

Front grille fixing screws (inside)

Infrared remote control

FTYS---: (ARC433A27)
FTS---: (ARC433A24)

Blade angle

Up/down (automatic)
Cooling, dry

Heating

Right/left (manual)

50° 50°

Air flow (indoor) required space (for performance and maintenance)

(including installation plate)

187

185

273

Name plate

Terminal block with earth terminal

50 MIN (space for maintenance)

50 MIN (space for maintenance)

50 MIN (space for performance)

Gas pipe 9.5Cut (The length of pipe outside the unit: about 300)

Liquid pipe ϕ 6.4 CuT (the length of pipe outside the unit: about 350)

Drain hose (connecting part I.D. ϕ 14.0, O.D. ϕ 18.0)

(The hose length on the outside of the unit is approx. 410)

Standard locations of wall holes

Wall hole for embedded piping ϕ 65 hole

Wall hole ϕ 65 hole

(784)

637.5

60

14.5

177.5

41.5

60

110

155.5

30

41.5

(273)

unit (mm)

3D038629

FT(Y)S50B

The mark (→) shows piping direction

Bottom

Signal transmitter

Operation lamp

Signal receiver

Indoor unit ON/OFF switch

Intelligent eye sensor

Room temp. thermistor

Timer lamp

Home leave lamp

Flaps

Front grille fixing screws (inside)

Infrared remote control

FTYS---: (ARC433A23)
FTS---: (ARC433A24)

Blade angles

Horizontal blade (Automatic)
Cooling, dry

Heating (FTX --- only)

Dry

Vertical blade (Automatic)

10° 15° 5°

40° 10° 40° 55° 15° 55° 35° 5° 35°

FAN

5° 55° 55°

50° 50°

Air flow (indoor) required space (for performance and maintenance)

(including installation plate)

232

230

290

Name plate

Terminal block with earth terminal (inside)

MIN. 50 (space for maintenance)

Required space

MIN. 30 (space for performance)

MIN. 50 (space for maintenance)

Gas pipe 12.7Cut (The length of pipe outside the unit: about 340)

Liquid pipe ϕ 6.4 CuT (the length of pipe outside the unit: about 350)

Drain hose (connecting part I.D. ϕ 14.0, O.D. ϕ 18.0)

(The hose length on the outside of the unit is approx. 440)

Standard locations of wall holes

Wall hole for embedded piping ϕ 65 hole

Wall hole ϕ 65 hole

795

625.5

62.5

14.5

177.5

44.5

60

98

44.5

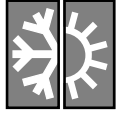
155.5

30

290

unit (mm)

3D040072



3 Dimensional drawings

3

FT(Y)S60B

The mark (→) shows piping direction

	A	B
FTX(K)S60-71-	64	
FTX(K)S60-		127
FTX(K)S71-		

Gas pipe ϕ B Cut (The length of pipe outside the unit: about 340)

Liquid pipe ϕ A Cut (The length of pipe outside the unit: about 390)

Drain hose (connecting part I.D. ϕ 14.0, O.D. ϕ 18.0) (The hose length on the outside of the unit is approx. 440)

Signal transmitter

Infrared remote control

FTYS---: (ARC433A23)
FTS---: (ARC433A24)

Standard locations of wall holes

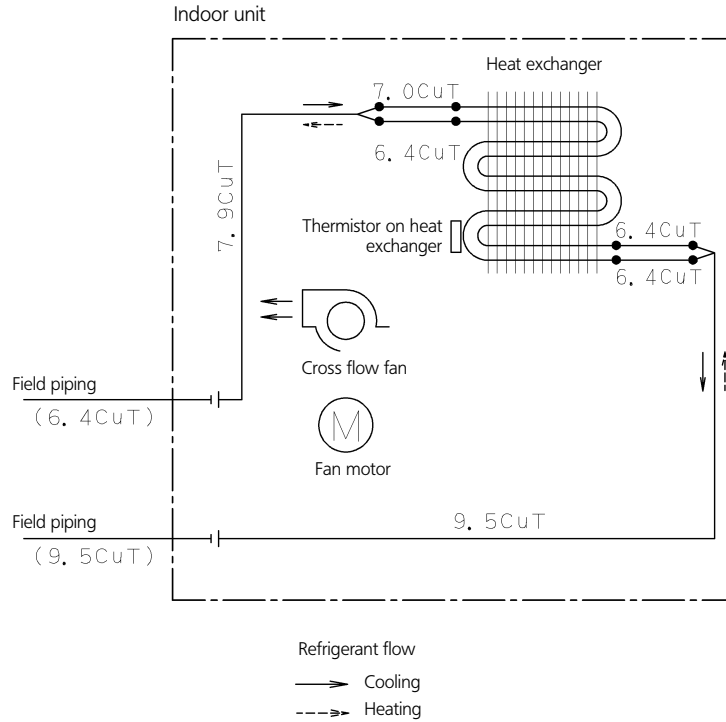
3D040080



4 Piping diagrams

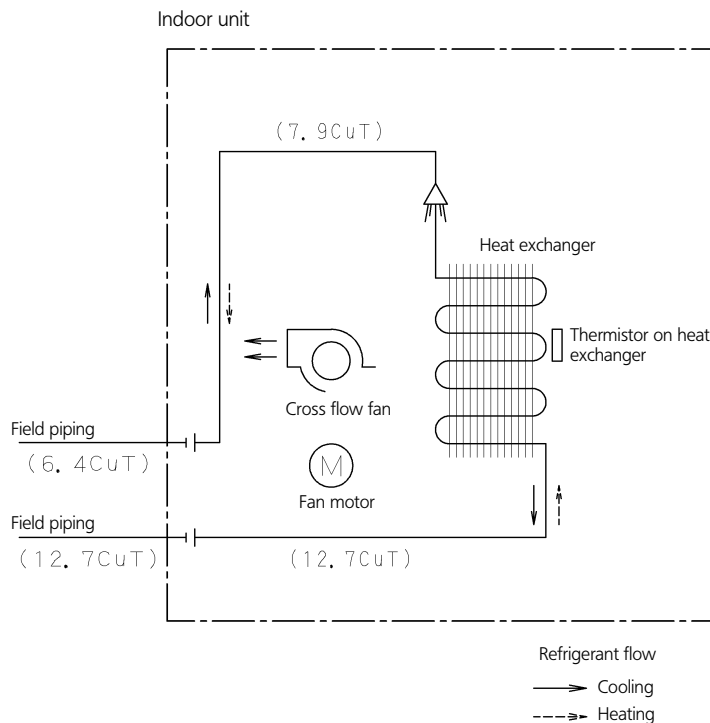
4

FT(Y)S20-25-35B



4D033698A

FT(Y)S50-60B



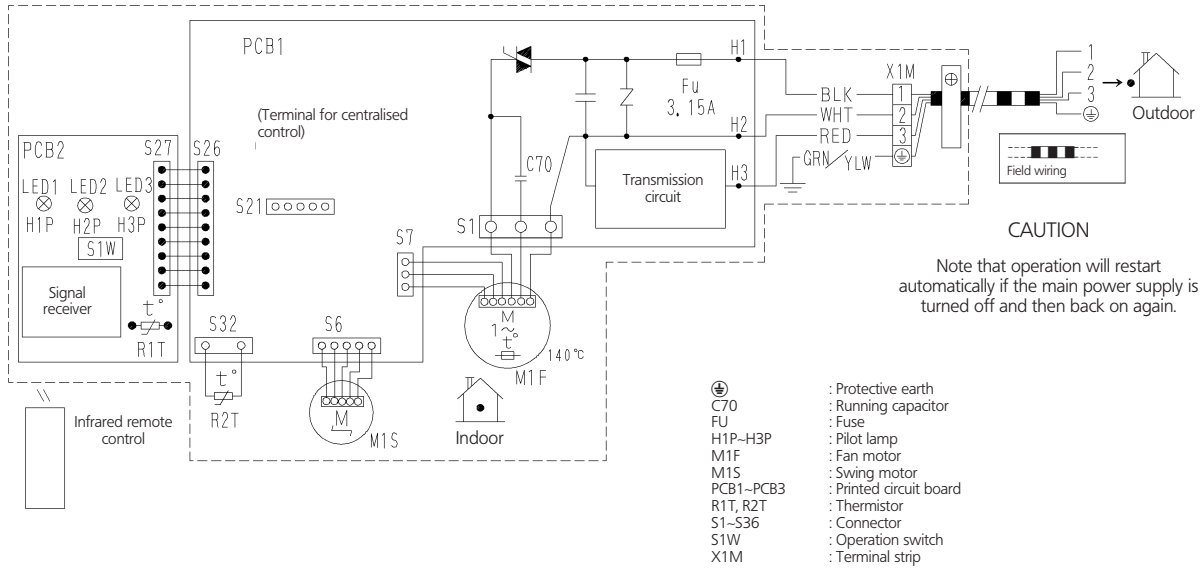
4D040081



5 Wiring diagrams

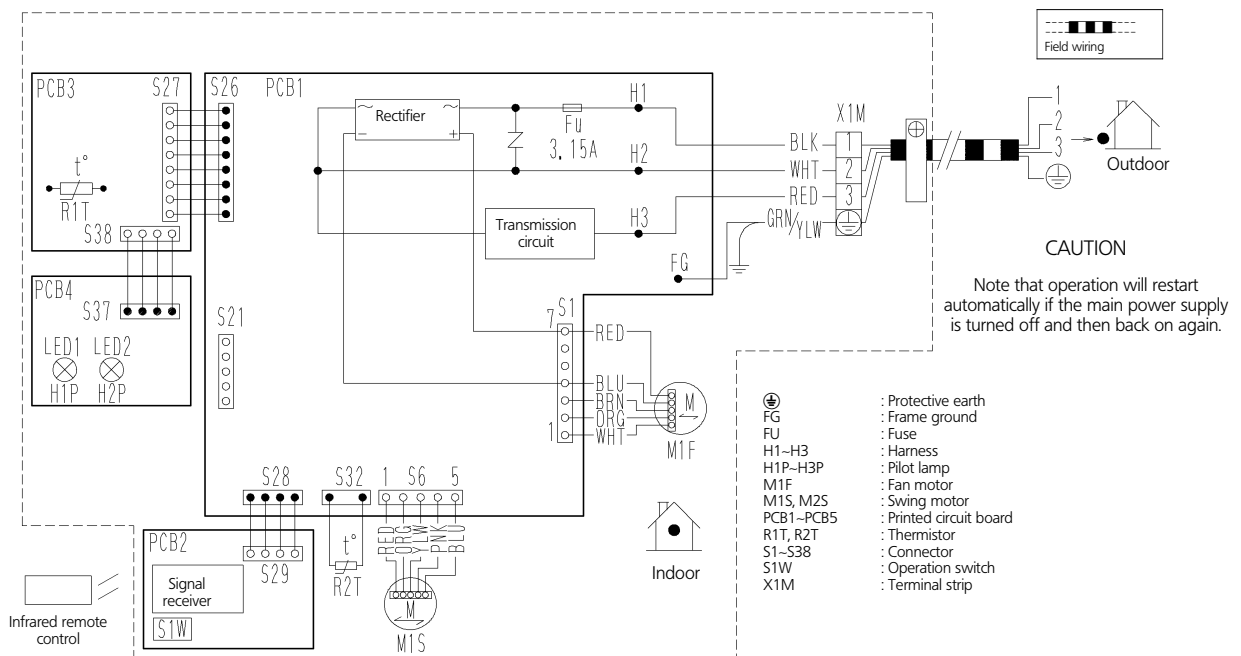
5

FT(Y)S20-25-35B

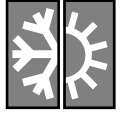


3D038629

FT(Y)S50B

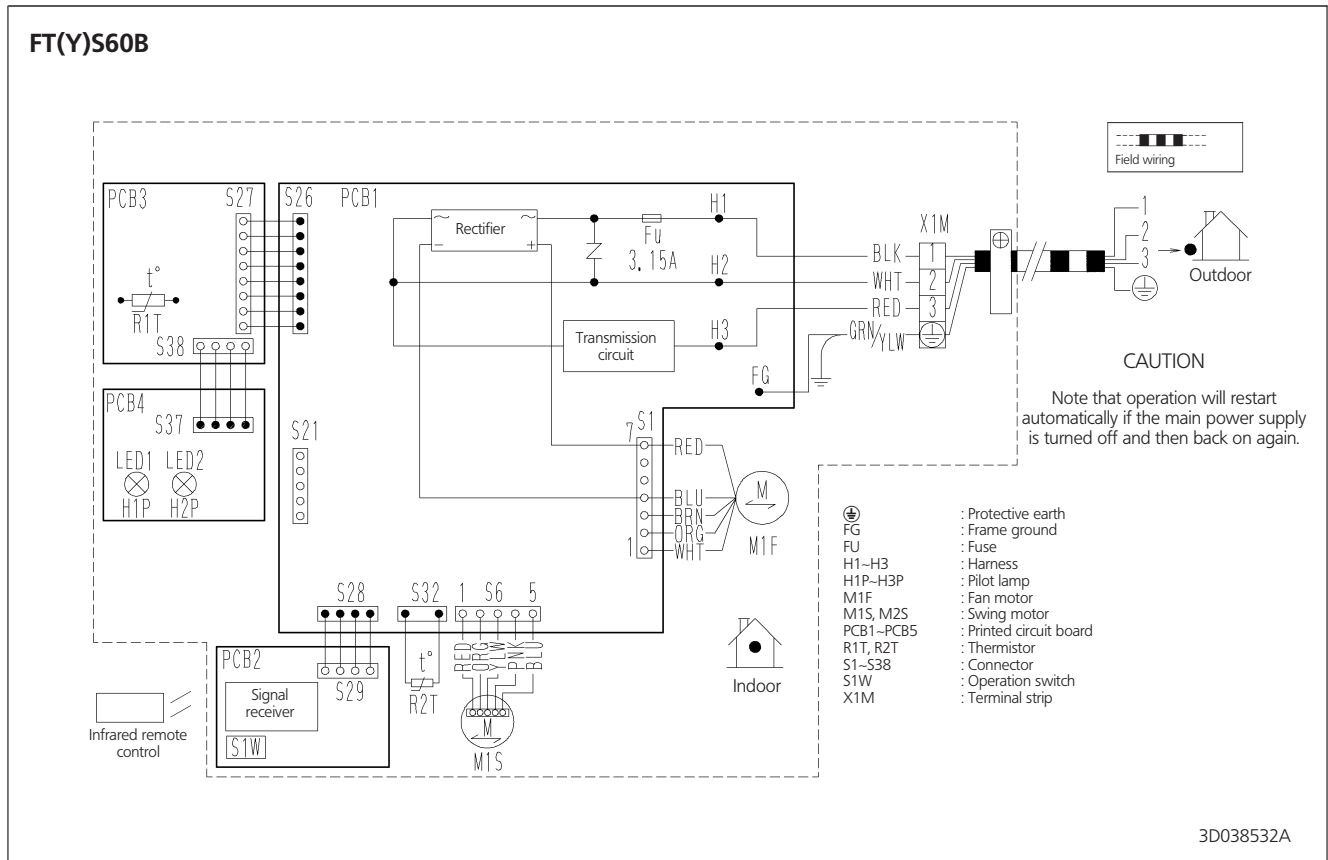


3D038466A



5 Wiring diagrams

5



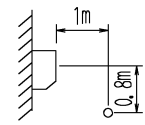
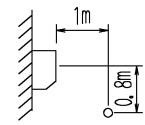


6 Sound level

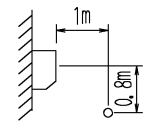
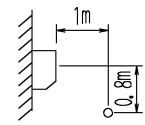
6-1 Sound level data

6 Cooling only

6-1

Model	Sound pressure level		Measuring location 	Sound power level (Cooling)
	230V, 50Hz			
	Cooling			
	H	L		
FTS25B	38	26	Location of microphone 	54
FTS25B	39	27		55
FTS35B	39	27		55
FTS50B	44	35		63
FTS60B	45	36		63

Heat pump

Model	Sound pressure level		Measuring location 	Sound power level (Cooling/Heating)
	230V, 50Hz			
	Cooling/Heating			
	H	L		
FTYS20B	38/38	26/26	Location of microphone 	54/54
FTYS25B	39/39	27/27		55/*
FTYS35B	39/39	27/27		55/*
FTYS50B	44/42	35/*		63/60
FTYS60B	45/44	36/*		63/62

* This information was not available at the time of publication.



6 Sound level

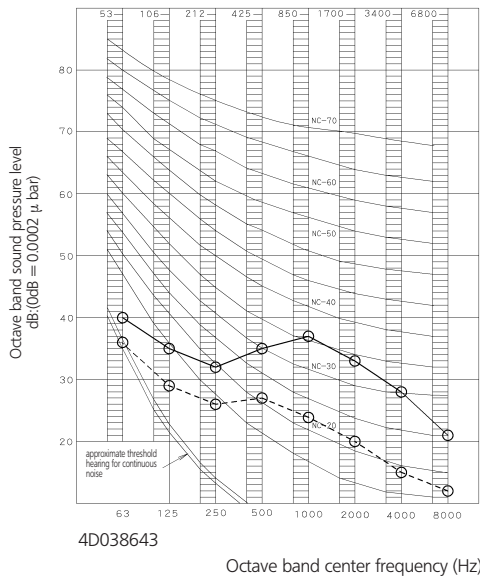
6-2 Sound pressure spectrum

Cooling only

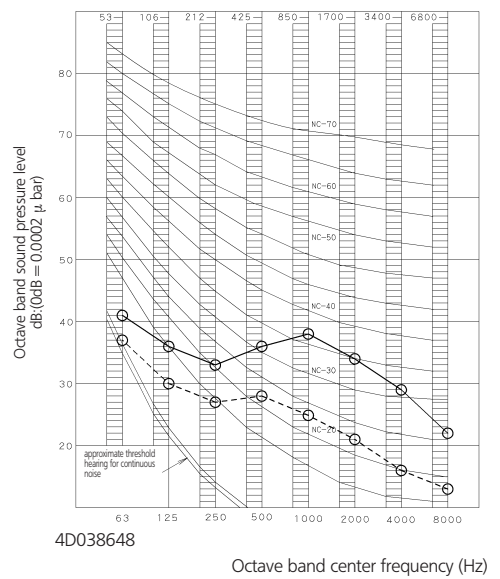
6

6-2

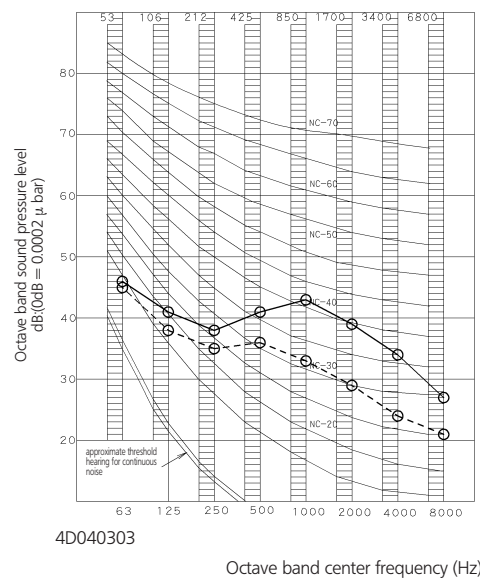
FTS20B



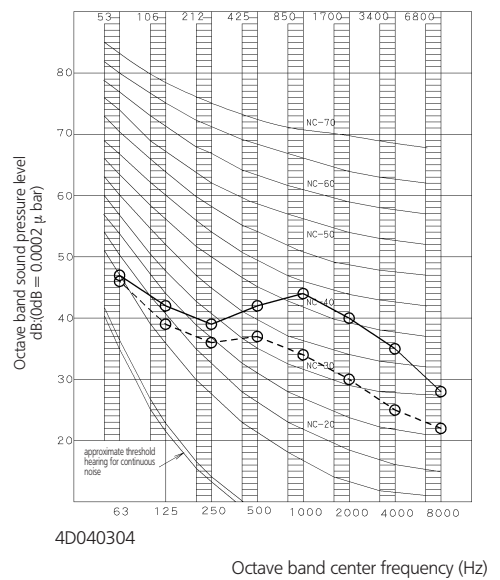
FTS25-35B



FTS50B



FTS60B

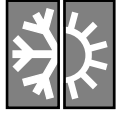


NOTE

1 Operation noise differs with operation and ambient conditions.

Legend

- 50/60Hz 220-240/220-230V(H)
- 50/60Hz 220-240/220-230V(L)



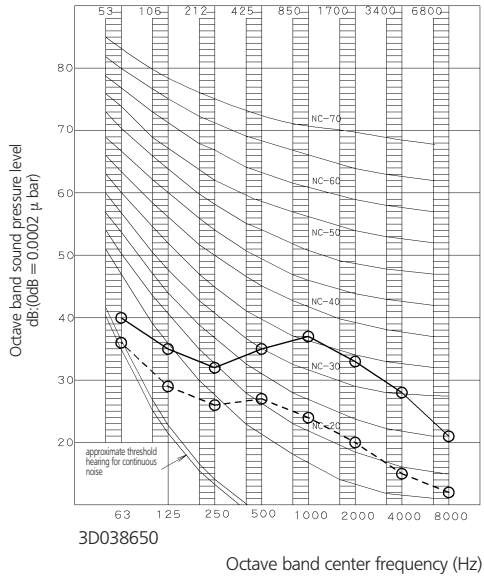
6 Sound level

6-2 Sound pressure spectrum

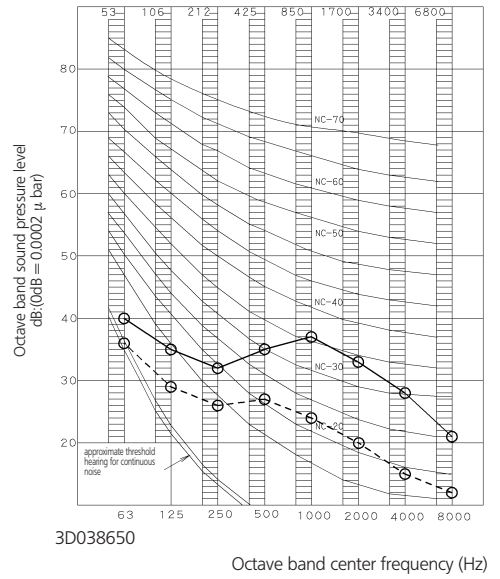
6 Heat pump

6-2

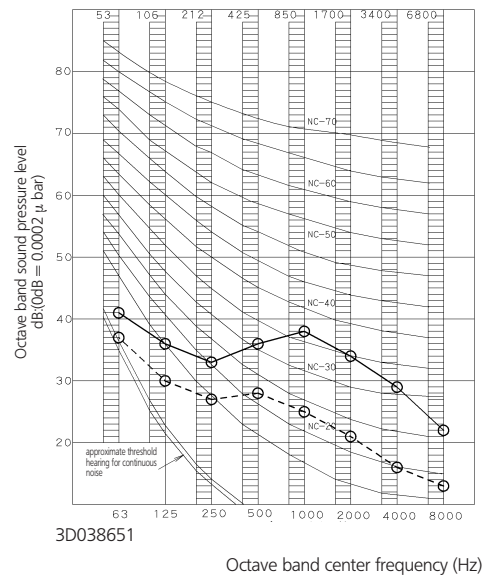
FTYS20B (Cooling)



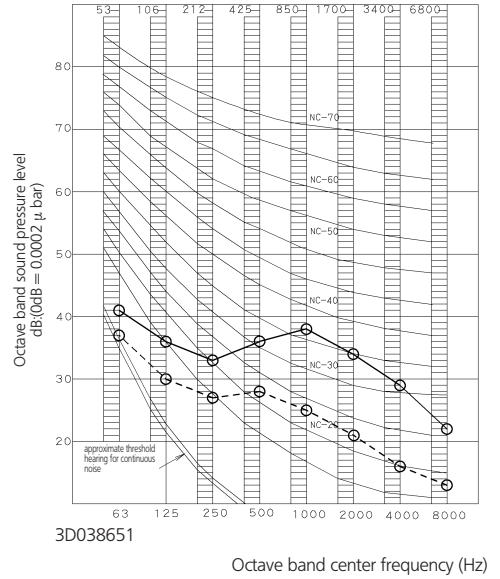
FTYS20B (Heating)



FTYS25-35B (Cooling)



FTYS25-35B (Heating)



NOTE

- 1 Operation noise differs with operation and ambient conditions.

Legend

- 50/60Hz 220-240/220-230V(H)
- 50/60Hz 220-240/220-230V(L)



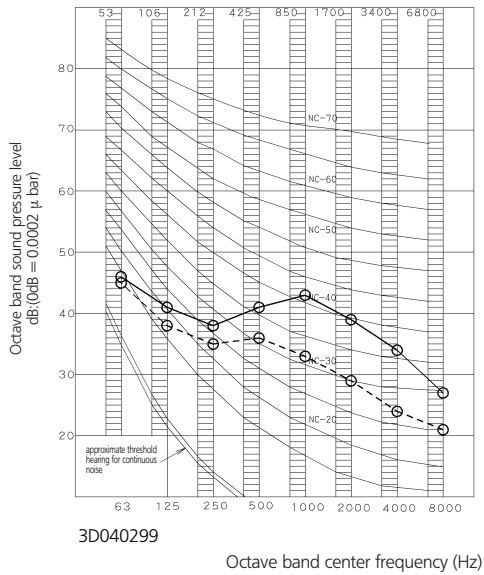
6 Sound level

6-2 Sound pressure spectrum

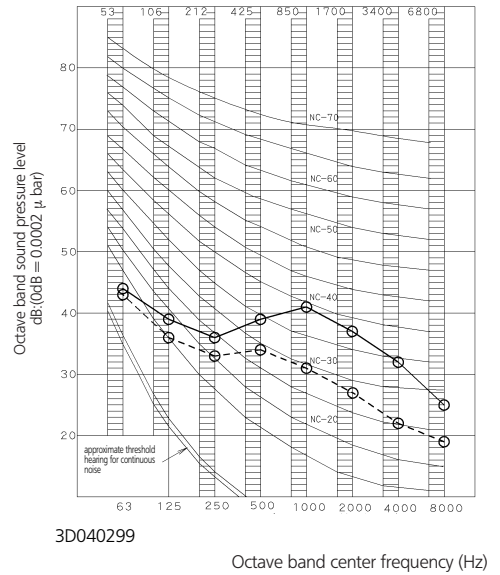
6

6-2

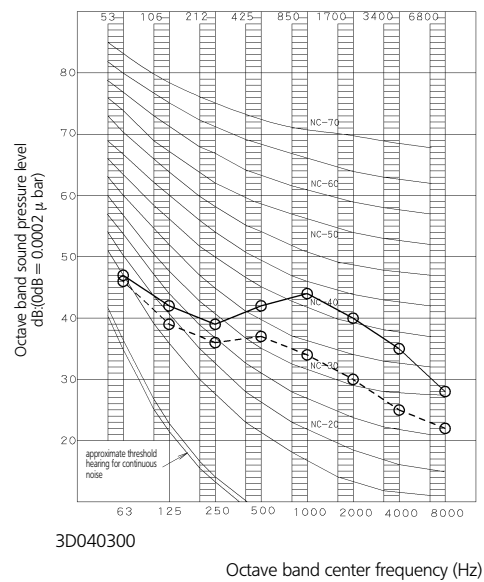
FTYS50B (Cooling)



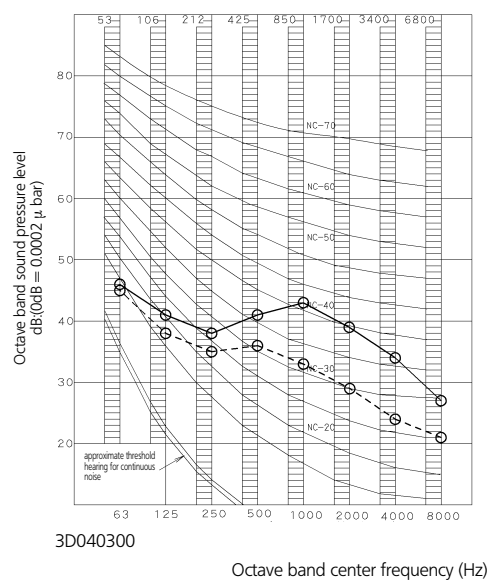
FTYS50B (Heating)



FTYS60B (Cooling)



FTYS60B (Heating)



NOTE

1 Operation noise differs with operation and ambient conditions.

Legend

- 50/60Hz 220-240/220-230V(H)
- 50/60Hz 220-240/220-230V(L)



7 Accessories

7-1 Standard accessories

7
7-1

FT(Y)S20-25-35B

Ⓐ Mounting plate	1	Ⓔ Remote control holder	1	Ⓚ Operation manual	1
Ⓒ Air purification filter	2	Ⓞ AAA dry-cell batteries	2	Ⓛ Installation manual	1
Ⓓ Infrared remote control	1	Ⓜ Indoor unit fixing screws M4x12L	2		

FT(Y)S50-60B

Ⓐ Mounting plate	1	Ⓔ Remote control holder	1	Ⓚ Operation manual	2
Ⓑ Air purification filter with photocatalytic deodorising function	2	Ⓞ AAA dry-cell batteries	1	Ⓛ Installation manual	1
Ⓓ Infrared remote control	1	Ⓜ Indoor unit fixing screws M4x12L	2		

7-2 Optional accessories

FT(Y)S-B

Option name		20	25	35	50	60
Wiring adapter for time clock / remote control (1)	Normal open contact			KRP413A1S		
	Normal open pulse contact			KRP413A1S		
Centralised control board	1 up to 5 rooms (2)			KRC72		
Central remote control				DCS302B51		
Unified ON/OFF control				DCS301B51		
Schedule timer				DST301B51		
Interface adapter (3)				KRP928A2S		
Air purification filter with frame			KAF925B41		—	
Air purification filter without frame			KAF925B42		—	
Air purification filter, with deodorising filter			—		KAF952A42	
Anti-theft protection for remote control				KKF910A4		

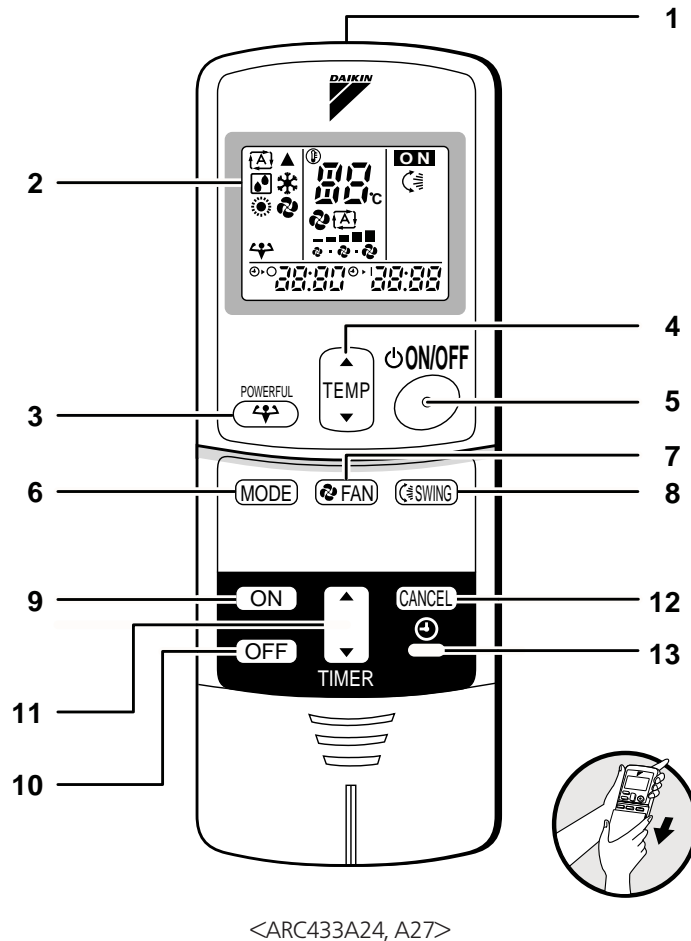
- (1) Wiring adapter is also required for each indoor unit.
- (2) Wiring adapter supplied by Daikin. Time clock and other devices: field supply.
- (3) For DIII-NET adapter



8 Control systems

8-1 Infrared remote control

FT(Y)S20-25-35B



<ARC433A24, A27>

- | | |
|--|---|
| <p>1 Signal transmitter:
• It sends signals to the indoor unit.</p> <p>2 Display:
• It displays the current settings. (In this illustration, each section is shown with all its displays ON for the purpose of explanation.)</p> <p>3 POWERFUL button:
for POWERFUL operation</p> <p>4 TEMPERATURE adjustment buttons:
• It changes the temperature setting</p> <p>5 ON/OFF button:
• Press this button once to start operation. Press once again to stop it.</p> <p>6 MODE selector button:
• It selects the operation mode
(Auto / Dry / Cool / Heat / Fan)</p> | <p>7 FAN setting button:
• It selects the air flow rate setting.</p> <p>8 SWING button</p> <p>9 ON TIMER button</p> <p>10 OFF TIMER button</p> <p>11 TIMER setting button:
• It changes the time setting</p> <p>12 TIMER CANCEL button:
It cancels the timer setting.</p> <p>13 CLOCK button</p> |
|--|---|



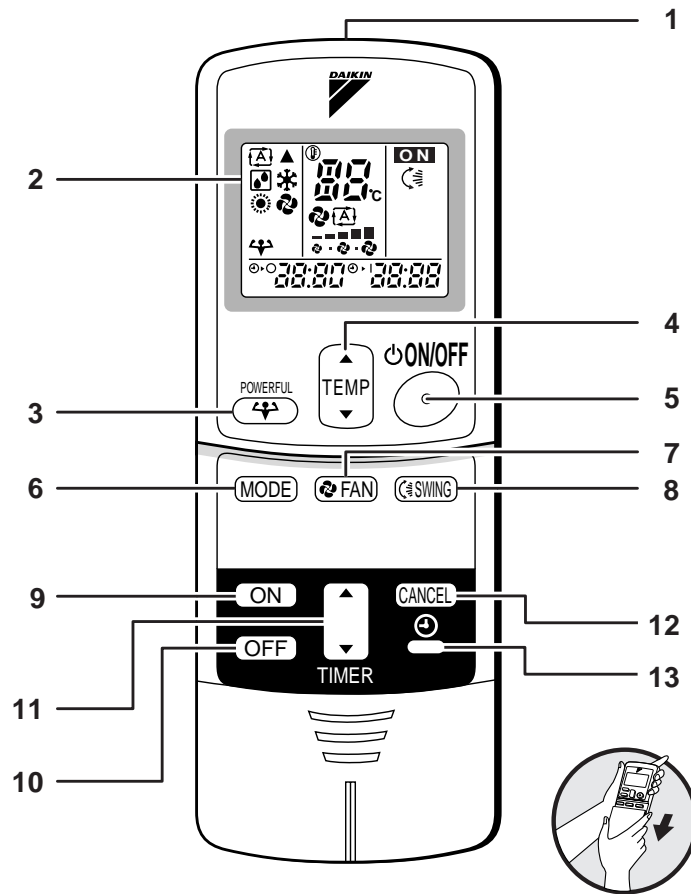
8 Control systems

8-1 Infrared remote control

8

8-1

FT(Y)S50-60B



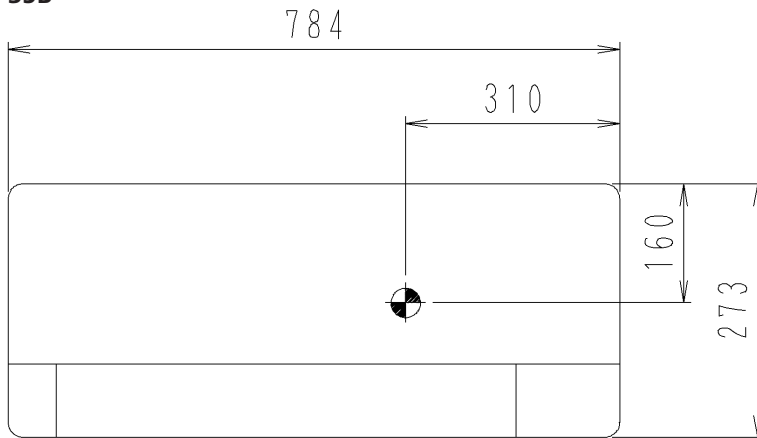
<ARC433A23, A24>

- | | |
|--|---|
| <p>1 Signal transmitter:
• It sends signals to the indoor unit.</p> <p>2 Display:
• It displays the current settings. (In this illustration, each section is shown with all its displays ON for the purpose of explanation.)</p> <p>3 POWERFUL button:
for POWERFUL operation</p> <p>4 TEMPERATURE adjustment buttons:
• It changes the temperature setting</p> <p>5 ON/OFF button:
• Press this button once to start operation. Press once again to stop it.</p> <p>6 MODE selector button:
• It selects the operation mode
(Auto / Dry / Cool / Heat / Fan)</p> | <p>7 FAN setting button:
• It selects the air flow rate setting.</p> <p>8 SWING button
• Flap (horizontal blade)</p> <p>9 ON TIMER button</p> <p>10 OFF TIMER button</p> <p>11 TIMER setting button:
• It changes the time setting</p> <p>12 TIMER CANCEL button:
It cancels the timer setting.</p> <p>13 CLOCK button</p> |
|--|---|



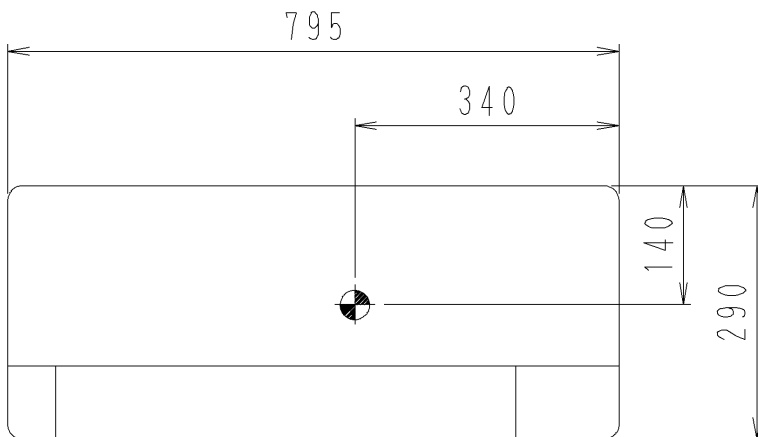
9 Center of gravity

FT(Y)S20-25-35B



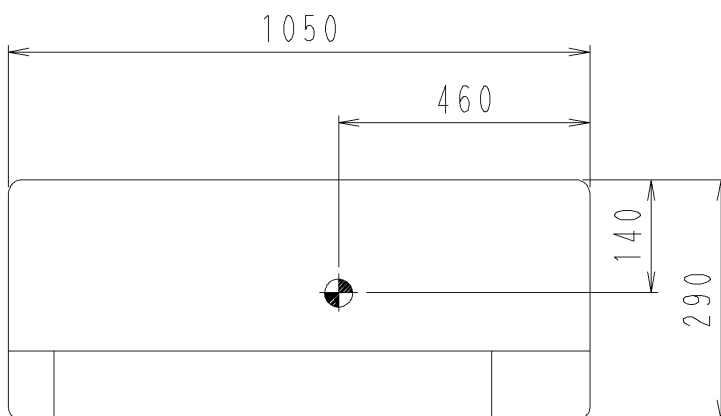
4D020686E

FT(Y)S50B



4D040312

FT(Y)S60B



4D040313

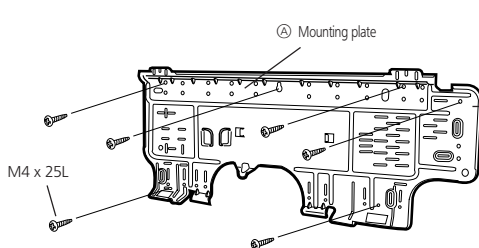


10 Installation

10

FT(Y)S20-25-35B

Indoor unit installation drawings

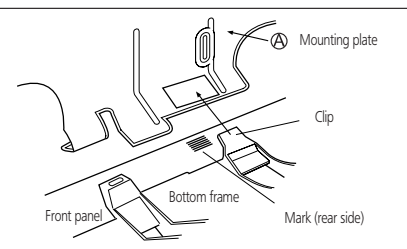


Ⓐ Mounting plate

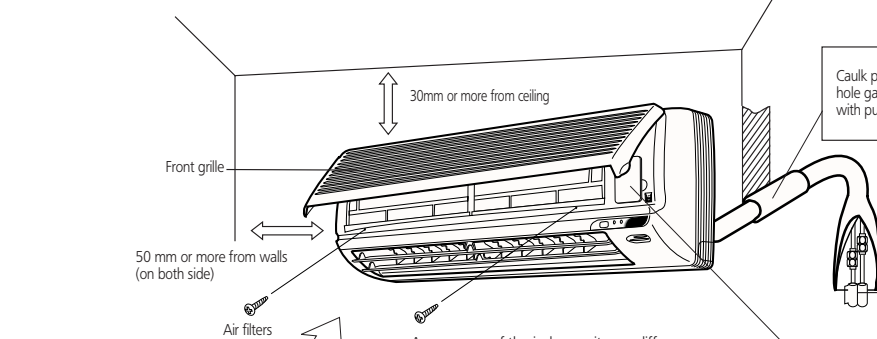
M4 x 25L

■ **How to attach the indoor unit.**
Hook the claws of the bottom frame to the mounting plate.
If the claws are difficult to hook, remove the front panel.

■ **How to remove the indoor unit.**
Push up the marked area (at the lower part of the front panel) to release the claws. If it is difficult to release, remove the front panel.



The mounting plate should be installed on a wall which can support the weight of the indoor unit.



30mm or more from ceiling

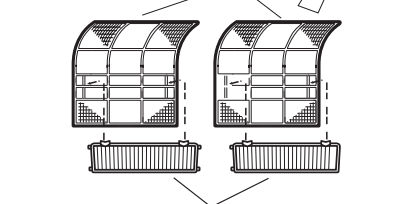
Front grille

50 mm or more from walls (on both side)

Air filters

Caulk pipe hole gap with putty.

Cut thermal insulation pipe to an appropriate length and wrap it with tape, making sure that no gap is left in the insulation pipe's cut line.




Air filters

Appearance of the indoor unit may differ from some models.

Service lid
This service lid is an open/close type.

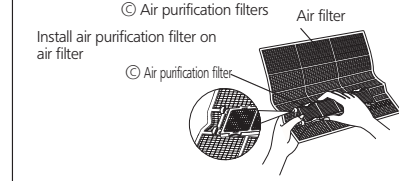
- Remove the screws on the service lid.
- Slide the service lid leftward.
- Rotate the service lid upward.



Ⓒ Air purification filters

Install air purification filter on air filter

Ⓒ Air purification filter

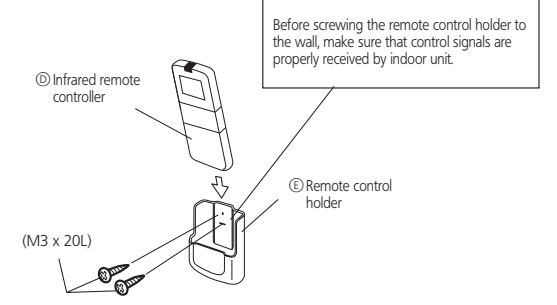


Ⓓ Infrared remote controller

Ⓔ Remote control holder

M3 x 20L

Before screwing the remote control holder to the wall, make sure that control signals are properly received by indoor unit.





10 Installation

FT(Y)S50-60B

Indoor unit installation drawings

