



technical data

FT(Y)N-C/FT(Y)S-B

Wall Mounted Unit



air conditioning systems

Split Sky Air

Split - Sky Air



ISO14001 assures an effective environmental management system in order to help protect human health and the environment from the potential impact of our activities, products and services and to assist in maintaining and improving the quality of the environment



Daikin units comply with the European regulations that guarantee the safety of the product.



Daikin Europe N.V. is approved by LRQA for its Quality Management System in accordance with the ISO9001 standard. ISO9001 pertains to quality assurance regarding design, development, manufacturing as well as to services related to the product.



Daikin Europe N.V. participates in the Eurovent Certification Programme for Air Conditioners (AC), Liquid Chilling Packages (LCP) and Fan Coil Units (FC); the certified data of certified models are listed in the Eurovent Directory.

Specifications are subject to change without prior notice.

DAIKIN EUROPE N.V.

Zandvoordestraat 300
B - 8400 Ostend Belgium
www.daikineurope.com



TABLE OF CONTENTS

FT(Y)N-C / FT(Y)S-B

1	Features	2
2	Specifications	3
	Nominal capacity, capacity steps and nominal input	
	Technical specifications	
3	Dimensional drawings	7
4	Piping diagrams	9
5	Wiring diagrams	10
6	Sound level	12
	Sound level data	
	Sound pressure spectrum	
7	Accessories	16
	Standard accessories	
	Optional accessories	
8	Control systems	17
9	Center of gravity	19
10	Installation	20

For capacity tables, please refer to part II: outdoor units



1 Features

1

- Lightweight and compact
- Extremely quiet in operation both indoors and outdoors
- Automatic air flow director ensures uniform air flow and temperature distribution
- Powerful mode can be selected for rapid cooling or heating.
- Air purification filter with photocatalytic deodorising function
 - deodorises the air
 - helps to prevent bacterial and viral propagation
 - powerful decomposes cigarette and pet odours
 - removes house dust and pollen
 - deactivates bacteria and viruses
- Washable front panel
- The outdoor unit can easily be mounted on a roof, a terrace or placed against an outside wall.
- The remote control has a 24 hour timer
- The indoor model also has a start/stop button mounted on the front panel
- Up to 5 indoor units can be operated from a single centralised control
- Purpose designed holder provided for your remote control



Standard



Optional



FTYN/FTYS



FTN/FTS



5 steps





2 Specifications

2

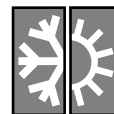
NOMINAL CAPACITY and NOMINAL INPUT								
For indoor units only:								
INDOOR UNITS				FTN20CVMB	FTN25CVMB	FTN35CVMB	FTS50BVMB	FTS60BVMB
NOMINAL INPUT	Cooling	nominal	kW	0.04	0.04	0.04	0.04	0.04

For combination indoor + outdoor units (air cooled):								
INDOOR UNITS				FTN20CVMB	FTN25CVMB	FTN35CVMB	FTS50BVMB	FTS60BVMB
OUTDOOR UNITS				RN20CVMB	RN25CVMB	RN35CVMB	RS50BVMB	RS60BVMB
NOMINAL CAPACITY (2-3)	Cooling (1)	nominal	kW	2.00	2.25	3.15	5.00	6.00
NOMINAL INPUT	Cooling	nominal	kW	0.62	0.70	1.045	1.66	2.12
EER				3.23	3.21	3.01	3.01	2.83
ENERGY LABEL	Cooling			A	A	B	B	C
ANNUAL ENERGY CONSUMPTION	Cooling		kWh	310	350	522.5	830	1,060

TECHNICAL SPECIFICATIONS								
For indoor units only:								
INDOOR UNITS				FTN20CVMB	FTN25CVMB	FTN35CVMB	FTS50BVMB	FTS60BVMB
DIMENSIONS	Unit	H	mm	273			290	290
		W	mm	784			795	1,050
		D	mm	185			230	230
			kg	7.5			9	12
WEIGHT	Unit							
COLOUR	Unit			White				
SOUND LEVEL	Sound pressure (cooling) (4)	high	dB(A)	38	38	39	44	45
		low	dB(A)	26	26	26	35	36
	Sound power (cooling) (5)	high	dB(A)	56	56	57	63	63
FAN	Air flow rate (cooling)	high	m ³ /min	7.7	7.7	7.7	11.5	16.4
		low	m ³ /min	4.2	4.2	4.4	8.3	11.6
	Speed	steps		5 steps and auto				
		high	rpm	1,280	1,280	1,280	1,330	1,320
		medium	rpm	1,040	1,040	1,060	1,160	1,160
		low	rpm	810	810	840	980	1,000
Type			Cross flow fan					
Motor output	W		18	18	18	40		
HEAT EXCHANGER	Type		ML fin - ϕ 7Hi - XA tube					
	Rows x stages x fin pitch	mm	2 x 12 x 1.4	2 x 12 x 1.4	2 x 12 x 1.4	2 x 16 x 1.4	2 x 16 x 1.4	
AIR FILTER			Removable/washable/mildew proof					
TEMPERATURE CONTROL			Microprocessor control					
PIPING CONNECTIONS	liquid	mm	ϕ 6.4					
	gas	mm	ϕ 9.5			ϕ 12.7		
	drain	mm	ϕ 18.0					
INSULATION MATERIAL	Heat insulation tape		Both liquid and gas pipes					
For outdoor units	Pair application		See chapter: RN-C			See chapter: RS-B		

3D044461
3D044462
3D044463
3D040786A
3D040787A

3



2 Specifications

2

ELECTRICAL SPECIFICATIONS								
For indoor units only:				FTN20CVMB	FTN25CVMB	FTN35CVMB	FTS50BVMB	FTS60BVMB
CURRENT	Nominal running current	cooling	A	0.18	0.18	0.18	0.18	0.18
	Maximum running current	cooling	A	See chapter RN-C: electrical data			See chapter RS-B: electrical data	

For combination indoor units + outdoor units:				FTN20CVMB	FTN25CVMB	FTN35CVMB	FTS50BVMB	FTS60BVMB
				RN20CVMB	RN25CVMB	RN35CVMB	RS50BVMB	RS60BVMB
CURRENT	Nominal running current	cooling	A	3.3	3.7	4.9	7.3	9.3
	Maximum running current	cooling	A	See chapter RN-C: electrical data			See chapter RS-B: electrical data	
	Starting current	cooling	A					

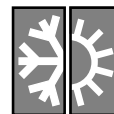
For indoor units only:				FTN20CVMB	FTN25CVMB	FTN35CVMB	FTS50BVMB	FTS60BVMB
POWER SUPPLY				VM	VM	VM	VM	VM
NOMINAL DISTRIBUTION SYSTEM VOLTAGE	Phase			1~	1~	1~	1~	1~
	Frequency		Hz	50	50	50	50	50
	Voltage		V	230	230	230	230	230

3D044461
3D044462
3D044463

3D040786A
3D040787A

NOTES

- Nominal cooling capacities are based on: indoor temperature 27°CDB/19°CWB * outdoor temperature 35°CDB * refrigerant piping length: 7.5m * level difference: 0m.
- Capacities are net, including a deduction for cooling (an addition for heating) for indoor fan motor heat.
- Units should be selected on nominal capacity. Maximum capacity is limited to peak periods.
- The sound pressure level is measured via a microphone at a certain distance from the unit. For measuring conditions: please refer to item 6 of this chapter.
- The sound power level is an absolute value indicating the "power" which a sound source generates.
- Energy label: scale from A (most efficient) to G (less efficient).
- Annual energy consumption: based on average use of 500 running hours per year at full load (= nominal conditions)



2 Specifications

2

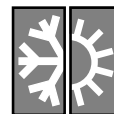
NOMINAL CAPACITY and NOMINAL INPUT								
For indoor units only:								
INDOOR UNITS				FTYN20CVMB	FTYN25CVMB	FTYN35CVMB	FTYS50BVMB	FTYS60BVMB
NOMINAL INPUT	Cooling	nominal	kW	0.04	0.04	0.04	0.04	0.04
	Heating	nominal	kW	0.04	0.04	0.04	0.04	0.04

For combination indoor + outdoor units (air cooled):								
INDOOR UNITS				FTYN20CVMB	FTYN25CVMB	FTYN35CVMB	FTYS50BVMB	FTYS60BVMB
OUTDOOR UNITS				RYN20CVMB	RYN25CVMB	RYN35CVMB	RYSS50BVMB	RYSS60BVMB
NOMINAL CAPACITY (3-4)	Cooling (1)	nominal	kW	2.00	2.25	3.15	5.00	6.00
	Heating (2)	nominal	kW	2.60	2.85	3.60	5.80	7.00
NOMINAL INPUT	Cooling	nominal	kW	0.62	0.70	1.045	1.66	2.12
	Heating	nominal	kW	0.76	0.835	1.055	1.70	2.09
EER	Cooling			3.23	3.21	3.01	3.01	2.83
	Heating			3.42	3.41	3.41	3.41	3.35
ENERGY LABEL	Cooling			A	A	B	B	C
	Heating			C	C	C	B	C
ANNUAL ENERGY CONSUMPTION	Cooling		kWh	310	350	522.5	830	1,060

TECHNICAL SPECIFICATIONS								
For indoor units only:								
INDOOR UNITS				FTYN20CVMB	FTYN25CVMB	FTYN35CVMB	FTYS50BVMB	FTYS60BVMB
DIMENSIONS	Unit	H	mm	273			290	290
		W	mm	784			795	1,050
		D	mm	195			230	230
WEIGHT	Unit		kg	7.5			9	12
COLOUR	Unit			White				
SOUND LEVEL	Sound pressure (cooling/heating) (5)	high	dB(A)	38/38	38/38	39/39	44/42	45/44
		low	dB(A)	26/28	26/28	26/29	35/*	36/*
	Sound power (cooling/heating) (6)	high	dB(A)	56/56	56/56	57/57	63/60	63/62
FAN	Air flow rate (cooling/heating)	high	m ³ /min	7.7/7.8	7.7/7.8	7.7/8.1	11.5/12.2	16.4/17.5
		low	m ³ /min	4.2/5.3	4.2/5.3	4.4/5.3	8.3/8.8	11.6/12.8
	Speed (cooling/heating)	steps		5 steps and auto				
		high	rpm	1,280/1,240	1,280/1,240	1,280/1,280	1,330/1,370	1,320/1,330
		medium	rpm	1,040/1,080	1,040/1,080	1,060/1,100	1,160/1,190	1,160/1,180
	low	rpm	810/920	810/920	840/920	980/1,000	1,000/1,020	
Type			Cross flow fan					
Motor output		W	18	18	18	40	43	
HEAT EXCHANGER	Type		ML fin - ϕ 7Hi - XA tube					
	Rows x stages x fin pitch	mm	2 x 12 x 1.4	2 x 12 x 1.4	2 x 12 x 1.4	2 x 16 x 1.4	2 x 16 x 1.4	
AIR FILTER			Removable/washable/mildew proof					
TEMPERATURE CONTROL			Microprocessor control					
PIPING CONNECTIONS	liquid	mm	ϕ 6.4					
	gas	mm	ϕ 9.5			ϕ 12.7		
	drain	mm	ϕ 18.0					
INSULATION MATERIAL	Heat insulation tape		Both liquid and gas pipes					

For outdoor units	Pair application	See chapter: RN-C	See chapter: RS-B
-------------------	------------------	-------------------	-------------------

3D044452
3D044453
3D044454
3D040784A
3D040785



2 Specifications

2

ELECTRICAL SPECIFICATIONS									
For indoor units only:				FTYN20CVMB	FTYN25CVMB	FTYN35CVMB	FTYS50BVMB	FTYS60BVMB	
CURRENT	Nominal running current	cooling	A	0.18	0.18	0.18	0.18	0.18	
		heating	A	0.18	0.18	0.18	0.18	0.18	
	Maximum running current	cooling	A	See chapter RN-C: electrical data				See chapter RS-B: electrical data	
		heating	A						

For combination indoor units + outdoor units:				FTYN20CVMB	FTYN25CVMB	FTYN35CVMB	FTYS50BVMB	FTYS60BVMB	
				RYN20CVMB	RYN25CVMB	RYN35CVMB	RYS50BVMB	RYS60BVMB	
CURRENT	Nominal running current	cooling	A	3.3	3.7	4.9	7.3	9.3	
		heating	A	4.0	4.4	4.9	7.5	9.2	
	Maximum running current	cooling	A	See chapter RN-C: electrical data				See chapter RS-B: electrical data	
		heating	A						
	Starting current	cooling	A	See chapter RN-C: electrical data				See chapter RS-B: electrical data	
		heating	A						

For indoor units only:				FTYN20CVMB	FTYN25CVMB	FTYN35CVMB	FTYS50BVMB	FTYS60BVMB
POWER SUPPLY				VM	VM	VM	VM	VM
NOMINAL DISTRIBUTION SYSTEM VOLTAGE	Phase			1~	1~	1~	1~	1~
	Frequency		Hz	50	50	50	50	50
	Voltage		V	230	230	230	230	230

3D044452
3D044453
3D044454

3D040784A
3D040785

NOTES

- Nominal cooling capacities are based on: indoor temperature 27°CDB/19°CWB * outdoor temperature 35°CDB * refrigerant piping length: 7.5m * level difference: 0m.
- Nominal heating capacities are based on: indoor temperature 20°CDB * outdoor temperature 7°CDB/6°CWB * refrigerant piping length 7.5m (horizontal) * level difference 0m.
- Capacities are net, including a deduction for cooling (an addition for heating) for indoor fan motor heat.
- Units should be selected on nominal capacity. Maximum capacity is limited to peak periods.
- The sound pressure level is measured via a microphone at a certain distance from the unit. For measuring conditions: please refer to item 6 of this chapter.
- The sound power level is an absolute value indicating the "power" which a sound source generates.
- Energy label: scale from A (most efficient) to G (less efficient).
- Annual energy consumption: based on average use of 500 running hours per year at full load (= nominal conditions)



3 Dimensional drawings

3

FT(Y)N20-25-35C

The mark (→) shows piping direction

FTYN--: (ARC433A27)
FTN--: (ARC433A24)

Blade angle

Up/down (automatic)
Cooling, dry

Heating

Right/left (manual)

Standard locations of wall holes

3D044029

unit (mm)

Air flow (indoor) required space (for performance and maintenance)

(including installation plate)

50 MIN (space for maintenance)

30 MIN (space for performance)

50 MIN (space for maintenance)

Name plate

Terminal block with earth terminal

Gas pipe 9.5Cut (The length of pipe outside the unit: about 300)

Drain hose (connecting part I.D. ϕ 14.0, O.D. ϕ 18.0)

Liquid pipe ϕ 6.4 CuT (the length of pipe outside the unit: about 350)

(The hose length on the outside of the unit is approx. 410)

784

637.5

60

30

41.5

177.5

14.5

60

41.5

155.5

110

Wall hole for embedded piping ϕ 65 hole

Wall hole ϕ 65 hole

FT(Y)S50B

The mark (→) shows piping direction

FTYS---: (ARC433A23)
FTS---: (ARC433A24)

Blade angles

Horizontal blade (Automatic)
Cooling, dry

Heating (FTX -- only)

Dry

Vertical blade (Automatic)

Standard locations of wall holes

3D040072

unit (mm)

Air flow (indoor) required space (for performance and maintenance)

(including installation plate)

MIN. 50 (space for maintenance)

Required space

MIN. 30 (space for performance)

MIN. 50 (space for maintenance)

Name plate

Terminal block with earth terminal (Inside)

Gas pipe 12.7Cut (The length of pipe outside the unit: about 340)

Drain hose (connecting part I.D. ϕ 14.0, O.D. ϕ 18.0)

Liquid pipe ϕ 6.4 CuT (the length of pipe outside the unit: about 350)

(The hose length on the outside of the unit is approx. 440)

795

625.5

62.5

30

44.5

14.5

60

98

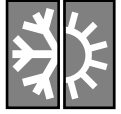
44.5

155.5

290

Wall hole for embedded piping ϕ 65 hole

Wall hole ϕ 65 hole



3 Dimensional drawings

3

FT(Y)S60B

The mark (→) shows piping direction

Left Rear 1050 Right

Operation lamp
Signal receiver
Indoor unit ON/OFF switch
Room temp. thermistor
Intelligent movement sensor
Timer lamp
Home leave lamp
Flaps
Front grille fixing screws (Inside)

(space for maintenance) MIN. 50 (including installation plate)
232
230
290
Name plate
Terminal block with earth terminal

Air flow (indoor) required space (for performance and maintenance)
unit (mm)
MIN. 30
MIN. 50 (space for performance)
Required space (space for maintenance)

	A	B
FTX(K)S60-71--	64	127
FTX(K)S60--		127
FTX(K)S71--		127

Gas pipe ϕ B Cut (The length of pipe outside the unit: about 340)
Liquid pipe ϕ A Cut (The length of pipe outside the unit: about 390)
Drain hose (connecting part I.D. ϕ 14.0, O.D. ϕ 18.0)
(The hose length on the outside of the unit is approx. 440)

Signal transmitter
58
18
163

Infrared remote control
FTYS---: (ARC433A23)
FTS---: (ARC433A24)

Blade angle

Horizontal blade (Automatic)
Cooling
Heating (FTX -- only)
Dry
Vertical blade (Automatic)

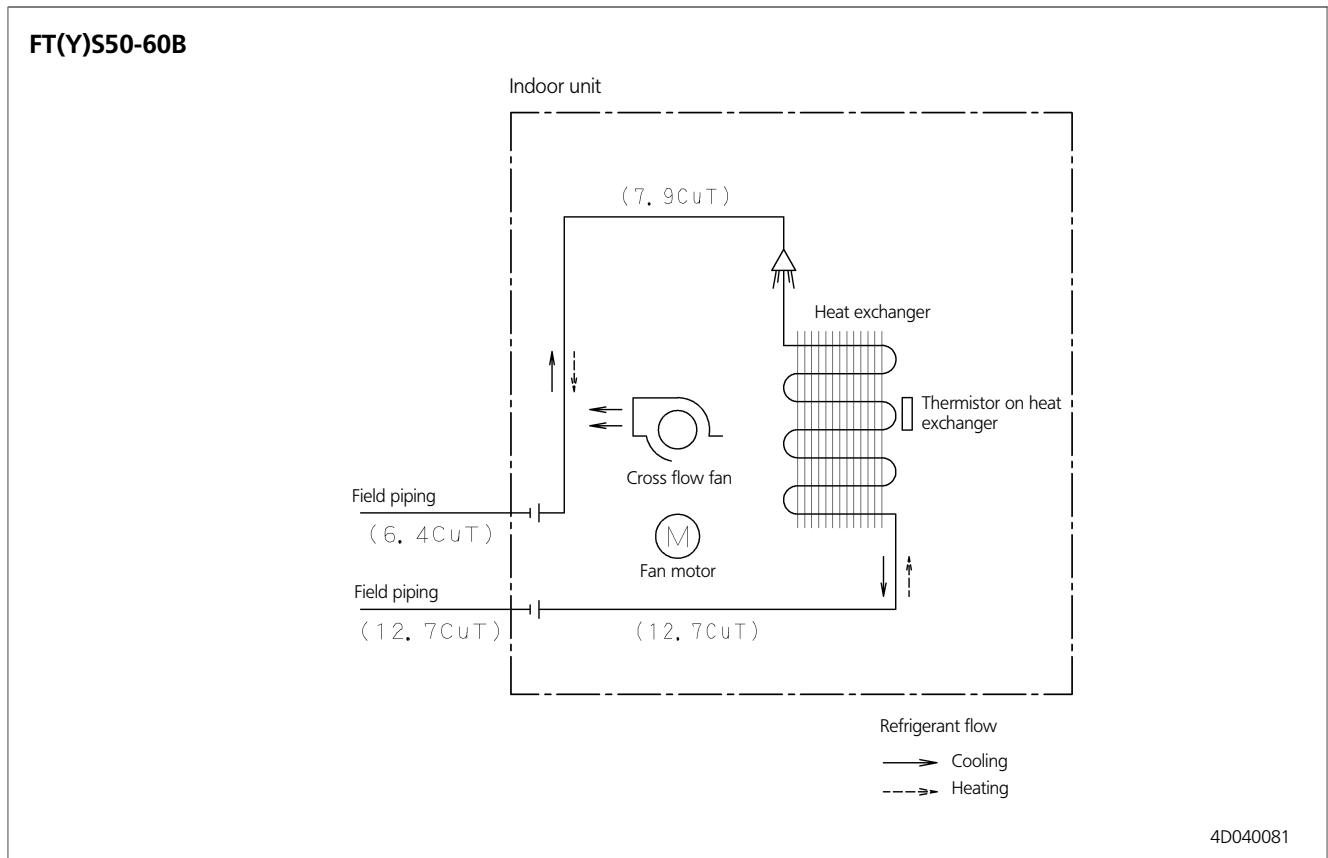
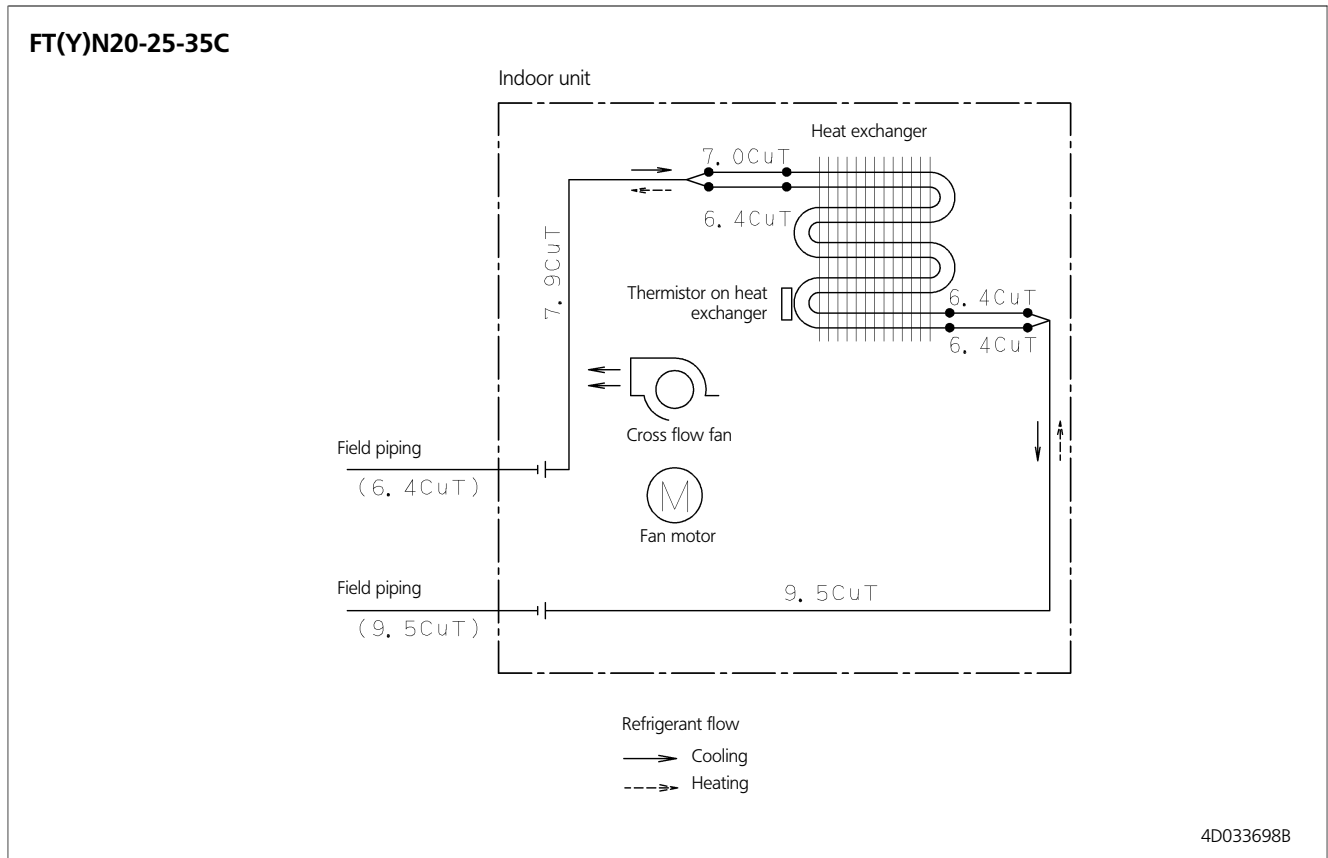
Standard locations of wall holes
Wall hole for embedded piping ϕ 80 hole
Wall hole ϕ 80 hole

3D040080



4 Piping diagrams

4

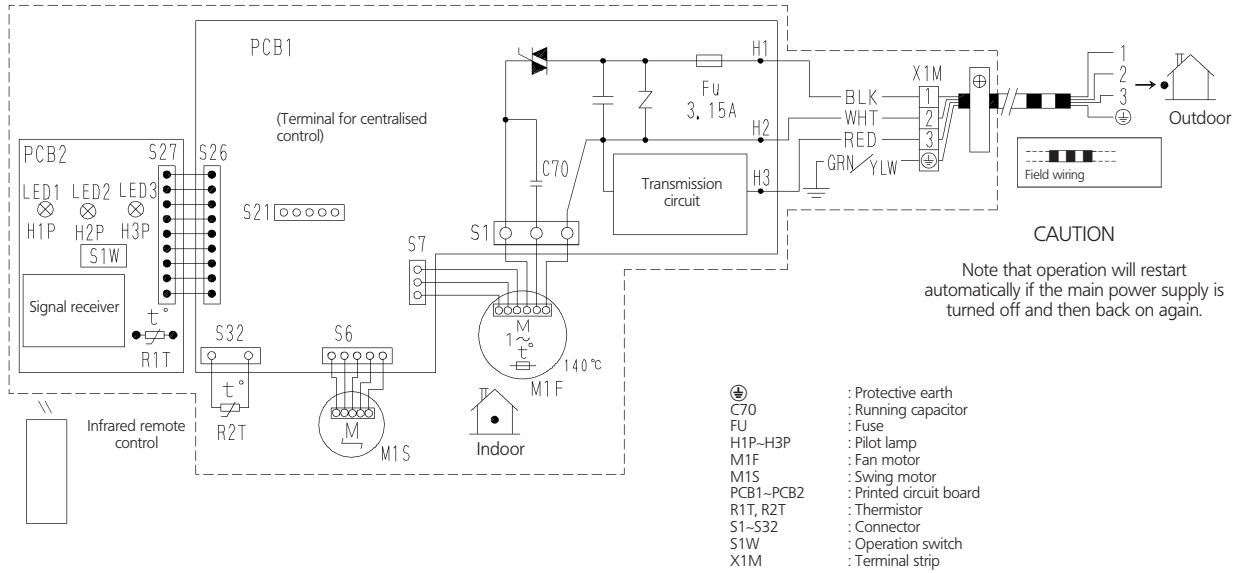




5 Wiring diagrams

5

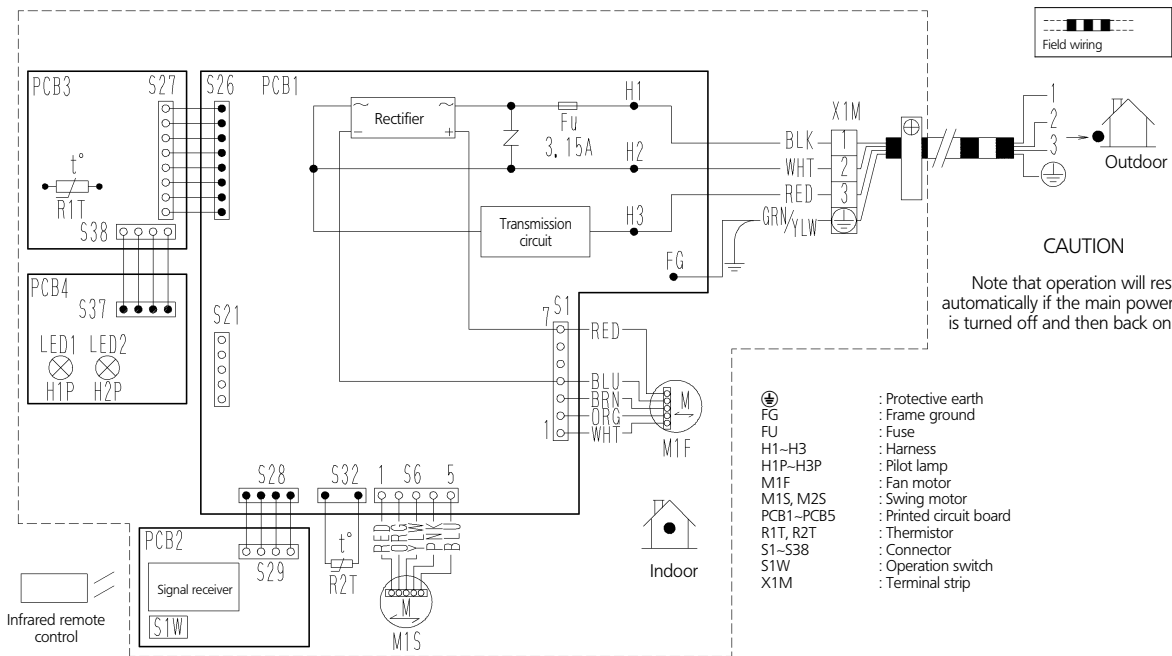
FT(Y)N20-25-35C



- ⊕ : Protective earth
- C70 : Running capacitor
- FU : Fuse
- H1P-H3P : Pilot lamp
- M1F : Fan motor
- M1S : Swing motor
- PCB1-PCB2 : Printed circuit board
- R1T, R2T : Thermistor
- S1-S32 : Connector
- S1W : Operation switch
- X1M : Terminal strip

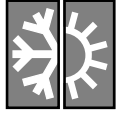
3D038710A

FT(Y)S50B



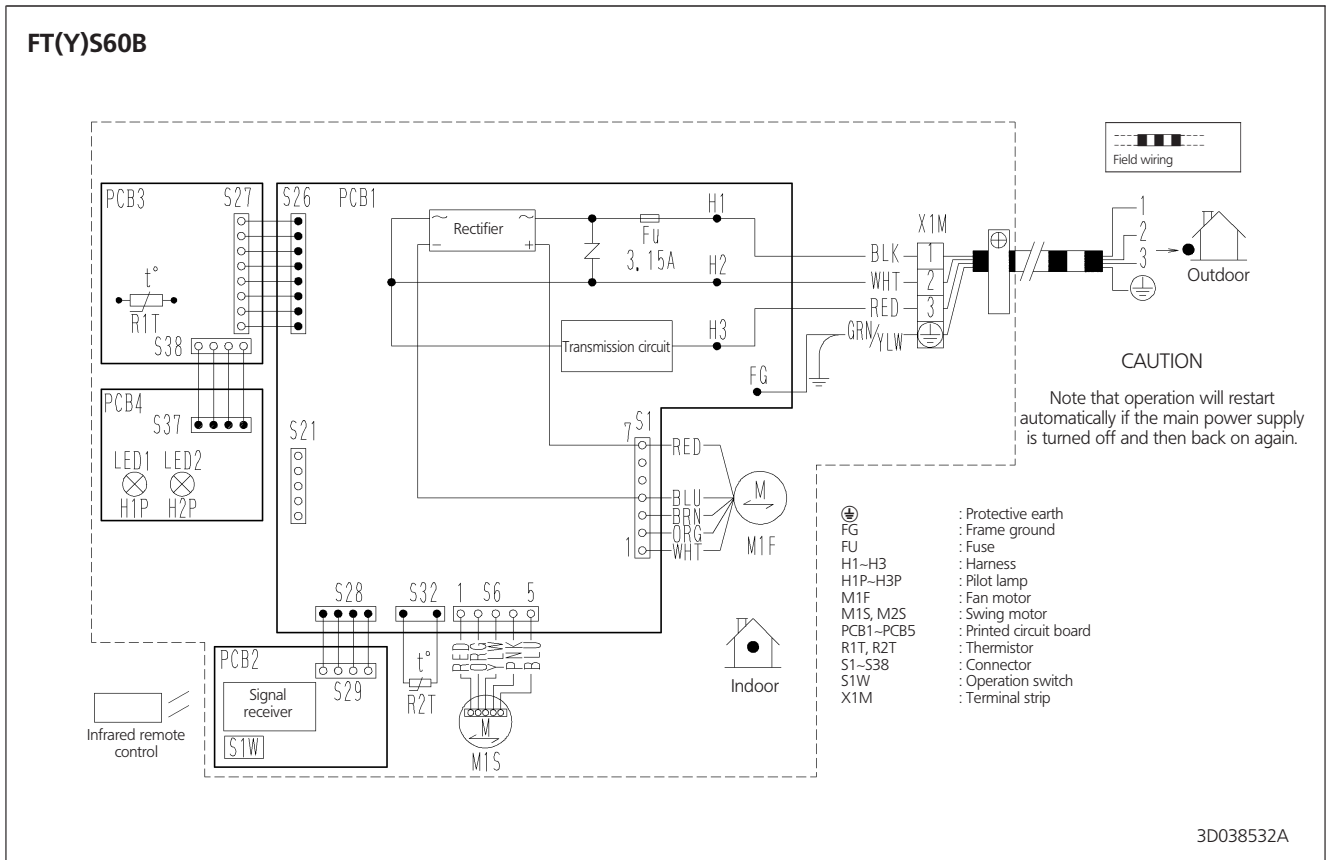
- ⊕ : Protective earth
- FG : Frame ground
- FU : Fuse
- H1-H3 : Harness
- H1P-H3P : Pilot lamp
- M1F : Fan motor
- M1S, M2S : Swing motor
- PCB1-PCB5 : Printed circuit board
- R1T, R2T : Thermistor
- S1-S38 : Connector
- S1W : Operation switch
- X1M : Terminal strip

3D038466A



5 Wiring diagrams

5



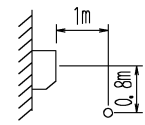


6 Sound level

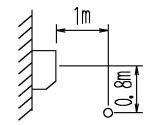
6-1 Sound level data

6 Cooling only

6-1

Model	Sound pressure level		Measuring location 	Sound power level (Cooling)
	230V, 50Hz			
	Cooling			
	H	L		
FTN20C	38	26		56
FTN25C	38	26		56
FTN35C	39	26		57
FTS50B	44	35		63
FTS60B	45	36		63

Heat pump

Model	Sound pressure level		Measuring location 	Sound power level (Cooling/Heating)
	230V, 50Hz			
	Cooling/Heating			
	H	L		
FTYN20C	38/38	26/28		56/56
FTYN25C	38/38	26/28		56/56
FTYN35C	39/39	26/29		57/57
FTYS50B	44/42	35/*		63/60
FTYS60B	45/44	36/*		63/62

* This information was not available at the time of publication.



6 Sound level

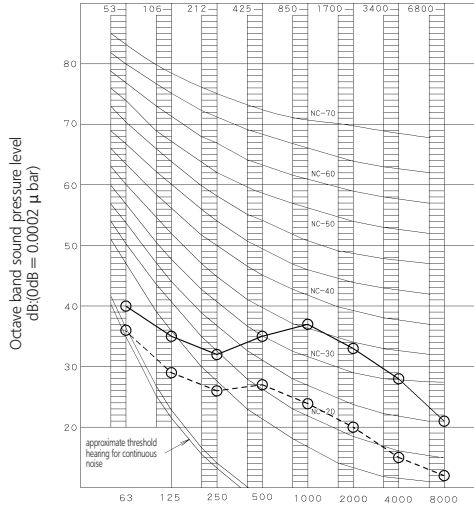
6-2 Sound pressure spectrum

Cooling only

6

6-2

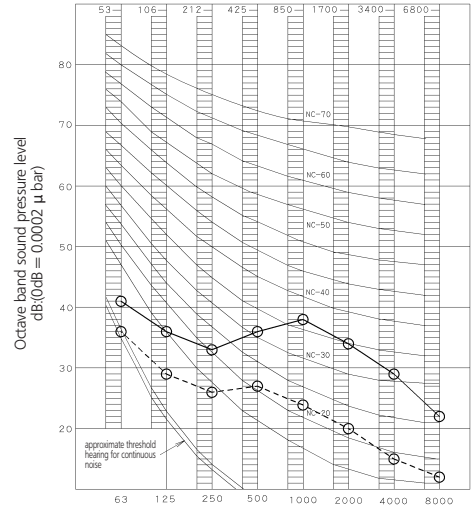
FTN20-25C



4D038643A

Octave band center frequency (Hz)

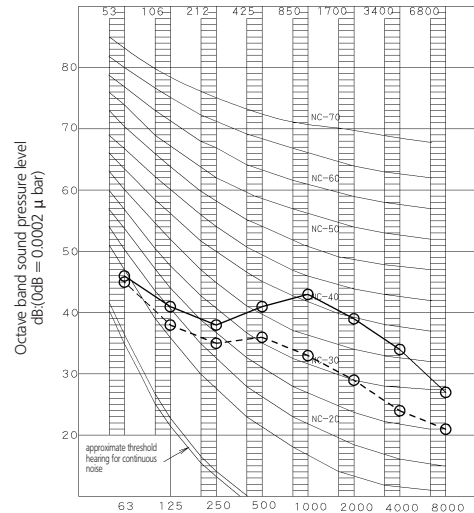
FTN35C



4D044239

Octave band center frequency (Hz)

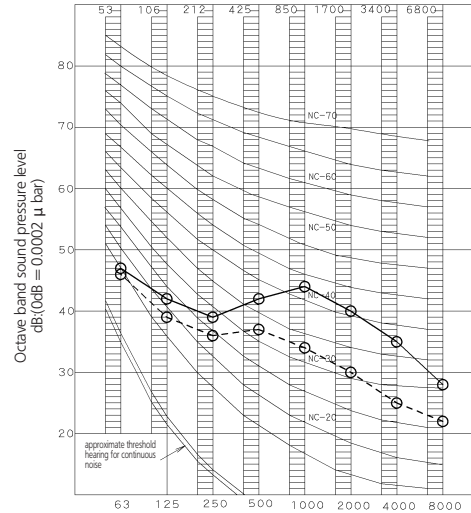
FTS50B



4D040303

Octave band center frequency (Hz)

FTS60B



4D040304

Octave band center frequency (Hz)

NOTE

- 1 Operation noise differs with operation and ambient conditions.

Legend

- 50/60Hz 220-240/220-230V(H)
- 50/60Hz 220-240/220-230V(L)



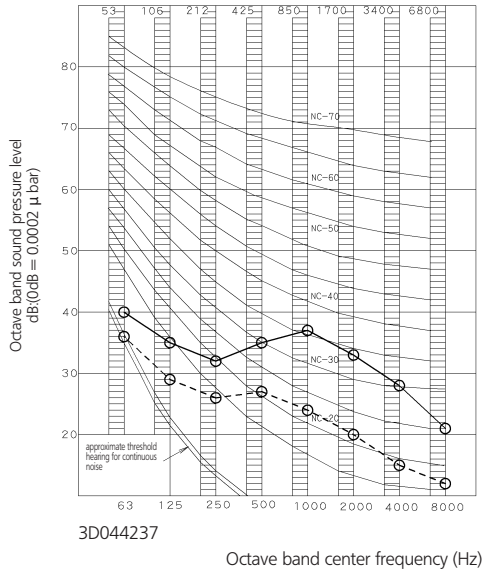
6 Sound level

6-2 Sound pressure spectrum

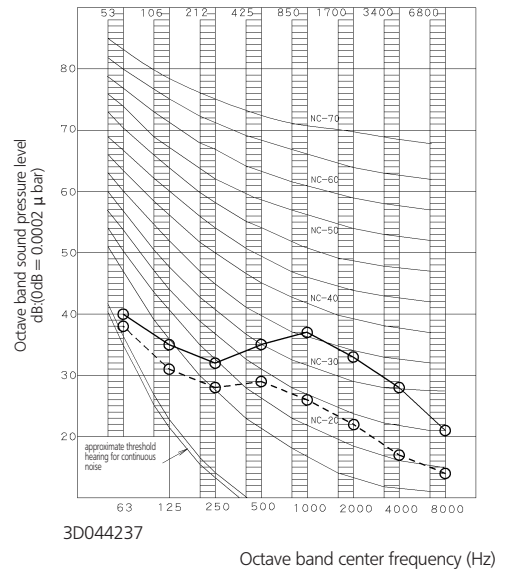
6 Heat pump

6-2

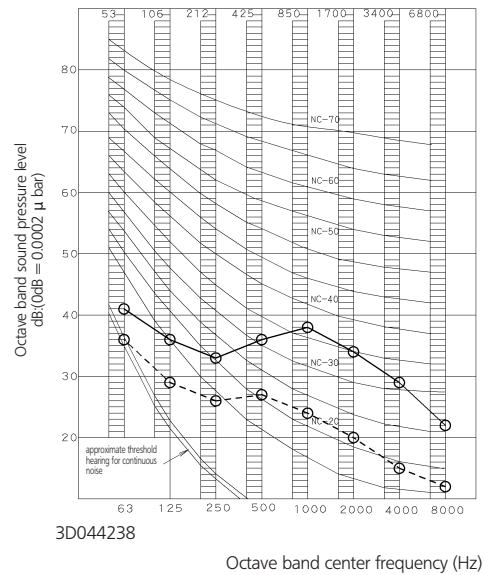
FTYN20-25C (Cooling)



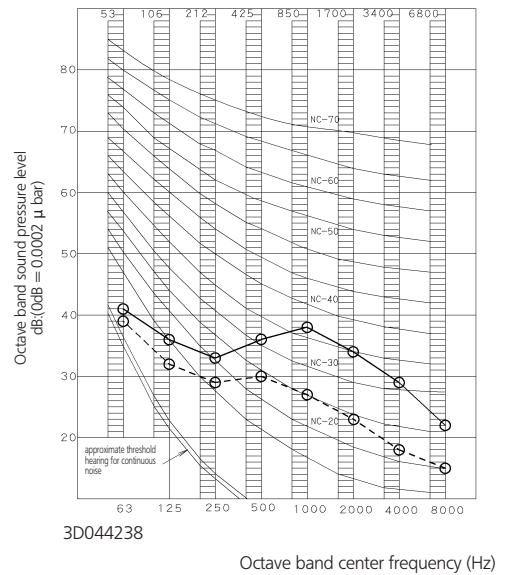
FTYN20-25C (Heating)



FTYN35C (Cooling)



FTYN35C (Heating)



NOTE

- 1 Operation noise differs with operation and ambient conditions.

Legend

- 50/60Hz 220-240/220-230V(H)
- -○ 50/60Hz 220-240/220-230V(L)



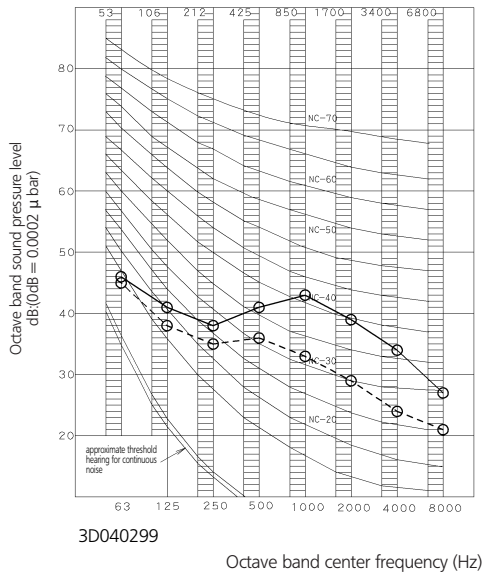
6 Sound level

6-2 Sound pressure spectrum

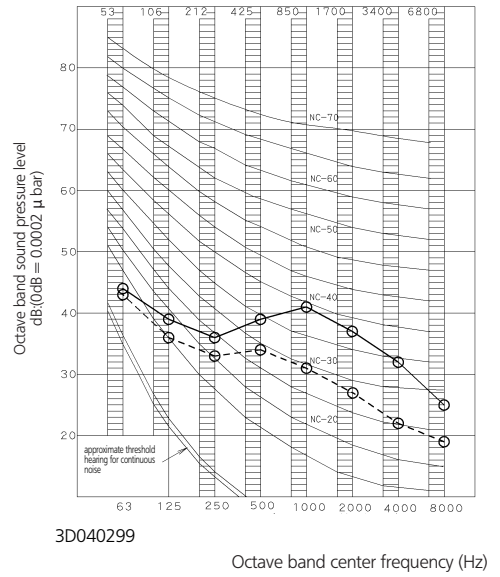
6

6-2

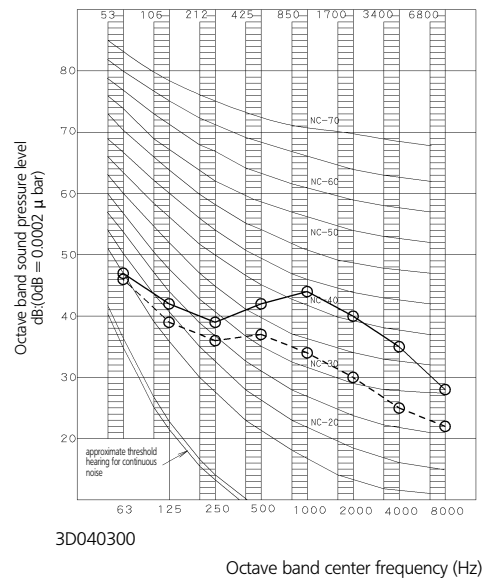
FTYS50B (Cooling)



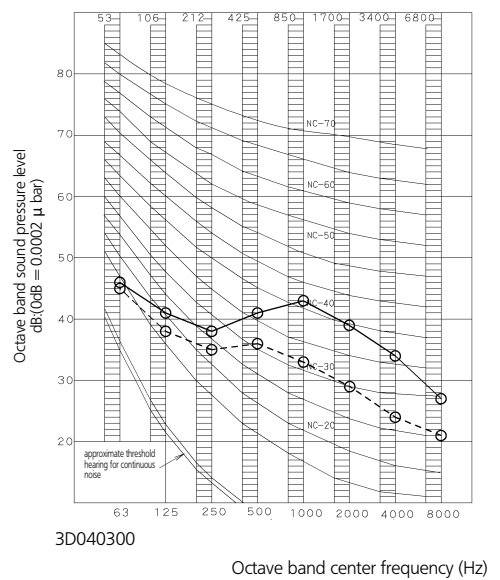
FTYS50B (Heating)



FTYS60B (Cooling)



FTYS60B (Heating)



NOTE

- 1 Operation noise differs with operation and ambient conditions.

Legend

- 50/60Hz 220-240/220-230V(H)
- 50/60Hz 220-240/220-230V(L)



7 Accessories

7-1 Standard accessories

7
7-1

FT(Y)N20-25-35C

Ⓐ Mounting plate	1	Ⓔ Remote control holder	1	Ⓚ Operation manual	1
Ⓑ Air purification filter with photocatalytic deodorising function	2	Ⓞ AAA dry-cell batteries	2	Ⓛ Installation manual	1
Ⓒ Infrared remote control	1	Ⓜ Indoor unit fixing screws M4x12L	2		

FT(Y)S50-60B

Ⓐ Mounting plate	1	Ⓔ Remote control holder	1	Ⓚ Operation manual	2
Ⓑ Air purification filter with photocatalytic deodorising function	2	Ⓞ AAA dry-cell batteries	1	Ⓛ Installation manual	1
Ⓒ Infrared remote control	1	Ⓜ Indoor unit fixing screws M4x12L	2		

7-2 Optional accessories

FT(Y)N/S-C/B

Option name		20	25	35	50	60
Wiring adapter for time clock / remote control (1)	Normal open contact			KRP413A1S		
	Normal open pulse contact			KRP413A1S		
Centralised control board	1 up to 5 rooms (2)			KRC72		
Central remote control				DCS302C51		
Unified ON/OFF control				DCS301B51		
Schedule timer				DST301B51		
Interface adapter (3)				KRP928A2S		
Air purification filter with photocatalytic deodorising function (with frame)				KAF918A43		
Air purification filter with photocatalytic deodorising function (without frame)				KAF918A44		
Anti-theft protection for remote control				KKF917A4		

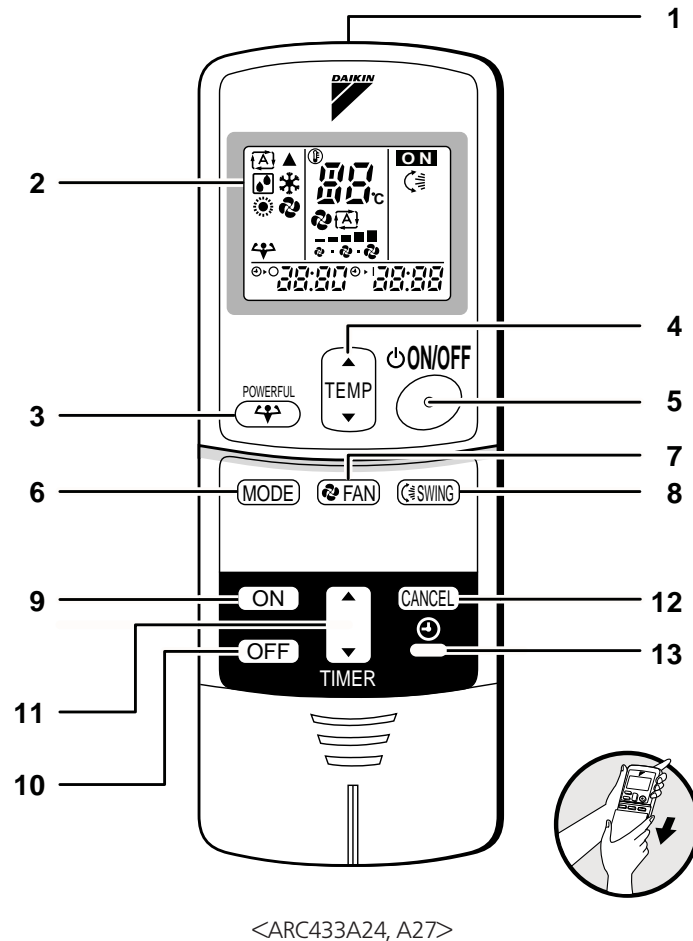
- (1) Wiring adapter is also required for each indoor unit.
- (2) Wiring adapter supplied by Daikin. Time clock and other devices: field supply.
- (3) For DIII-NET adapter



8 Control systems

8-1 Infrared remote control

FT(Y)N20-25-35C



<ARC433A24, A27>

- | | |
|----------------------------------------------------------------------------------------------------------------------------------------------------------------------------------------------------------------------------------------------------------------------------------------------------------------------------------------------------------------------------------------------------------------------------------------------------------------------------------------------------------------------------------------------------------------------------------------------------------------------------------------------|---------------------------------------------------------------------------------------------------------------------------------------------------------------------------------------------------------------------------------------------------------------------------------------------------------------------------------------------------------------|
| <p>1 Signal transmitter:
• It sends signals to the indoor unit.</p> <p>2 Display:
• It displays the current settings. (In this illustration, each section is shown with all its displays ON for the purpose of explanation.)</p> <p>3 POWERFUL button:
for POWERFUL operation</p> <p>4 TEMPERATURE adjustment buttons:
• It changes the temperature setting</p> <p>5 ON/OFF button:
• Press this button once to start operation. Press once again to stop it.</p> <p>6 MODE selector button:
• It selects the operation mode
(Auto / Dry / Cool / Heat / Fan)</p> | <p>7 FAN setting button:
• It selects the air flow rate setting.</p> <p>8 SWING button</p> <p>9 ON TIMER button</p> <p>10 OFF TIMER button</p> <p>11 TIMER setting button:
• It changes the time setting</p> <p>12 TIMER CANCEL button:
It cancels the timer setting.</p> <p>13 CLOCK button</p> |
|----------------------------------------------------------------------------------------------------------------------------------------------------------------------------------------------------------------------------------------------------------------------------------------------------------------------------------------------------------------------------------------------------------------------------------------------------------------------------------------------------------------------------------------------------------------------------------------------------------------------------------------------|---------------------------------------------------------------------------------------------------------------------------------------------------------------------------------------------------------------------------------------------------------------------------------------------------------------------------------------------------------------|



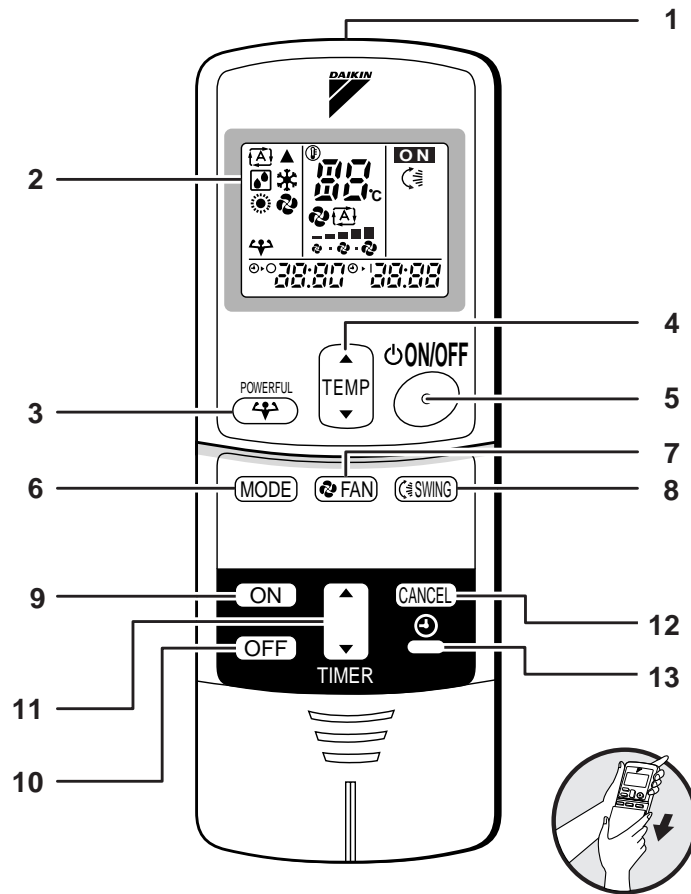
8 Control systems

8-1 Infrared remote control

8

8-1

FT(Y)S50-60B



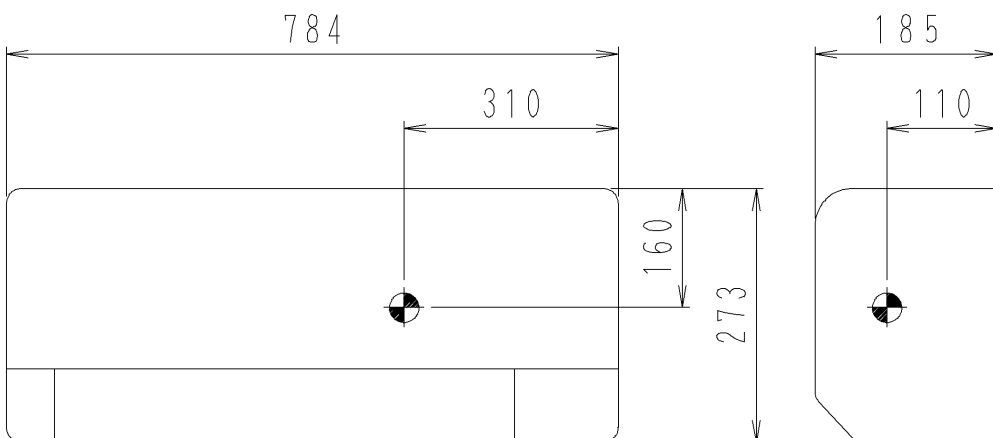
<ARC433A23, A24>

- | | |
|----------------------------------------------------------------------------------------------------------------------------------------------------------------------------------------------------------------------------------------------------------------------------------------------------------------------------------------------------------------------------------------------------------------------------------------------------------------------------------------------------------------------------------------------------------------------------------------------------------------------------------------------|---------------------------------------------------------------------------------------------------------------------------------------------------------------------------------------------------------------------------------------------------------------------------------------------------------------------------------------------------------------------------------------------|
| <p>1 Signal transmitter:
• It sends signals to the indoor unit.</p> <p>2 Display:
• It displays the current settings. (In this illustration, each section is shown with all its displays ON for the purpose of explanation.)</p> <p>3 POWERFUL button:
for POWERFUL operation</p> <p>4 TEMPERATURE adjustment buttons:
• It changes the temperature setting</p> <p>5 ON/OFF button:
• Press this button once to start operation. Press once again to stop it.</p> <p>6 MODE selector button:
• It selects the operation mode
(Auto / Dry / Cool / Heat / Fan)</p> | <p>7 FAN setting button:
• It selects the air flow rate setting.</p> <p>8 SWING button
• Flap (horizontal blade)</p> <p>9 ON TIMER button</p> <p>10 OFF TIMER button</p> <p>11 TIMER setting button:
• It changes the time setting</p> <p>12 TIMER CANCEL button:
It cancels the timer setting.</p> <p>13 CLOCK button</p> |
|----------------------------------------------------------------------------------------------------------------------------------------------------------------------------------------------------------------------------------------------------------------------------------------------------------------------------------------------------------------------------------------------------------------------------------------------------------------------------------------------------------------------------------------------------------------------------------------------------------------------------------------------|---------------------------------------------------------------------------------------------------------------------------------------------------------------------------------------------------------------------------------------------------------------------------------------------------------------------------------------------------------------------------------------------|



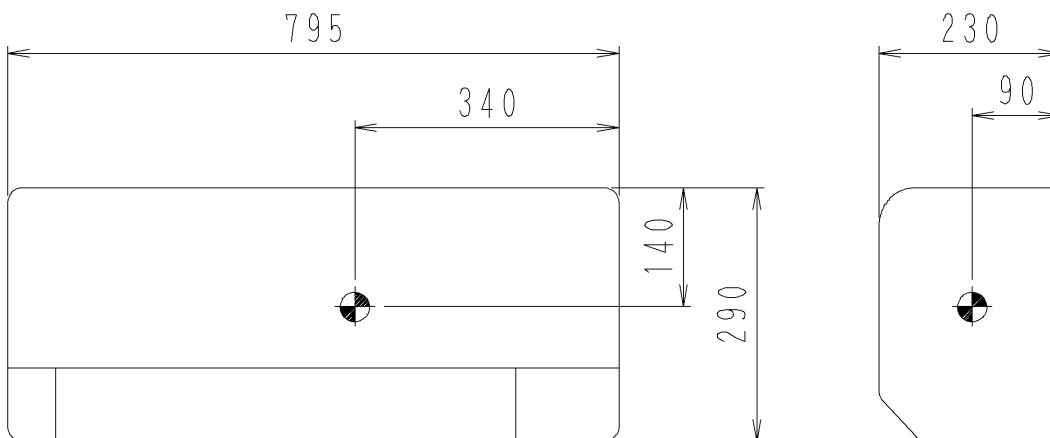
9 Center of gravity

FT(Y)N20-25-35C



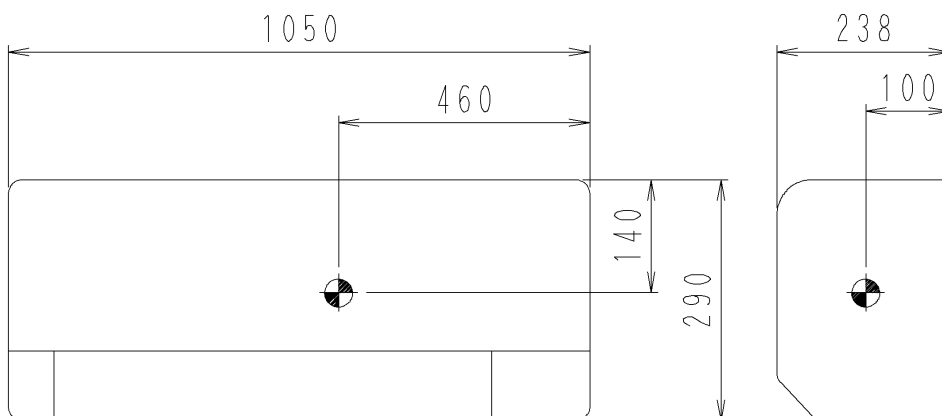
4D020686H

FT(Y)S50B



4D040312

FT(Y)S60B



4D040313

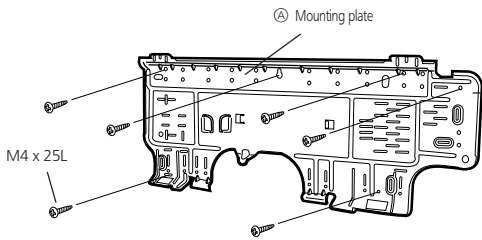


10 Installation

10

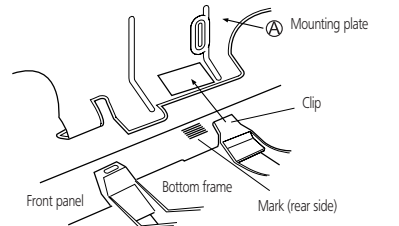
FT(Y)N20-25-35C

Indoor unit installation drawings

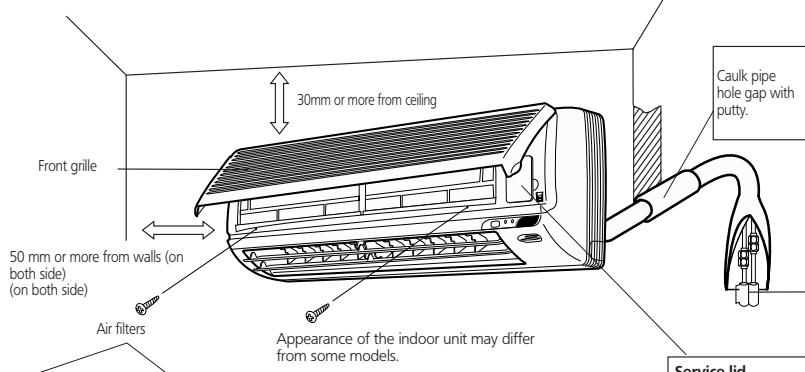


■ **How to attach the indoor unit.**
Hook the claws of the bottom frame to the mounting plate.
If the claws are difficult to hook, remove the front panel.

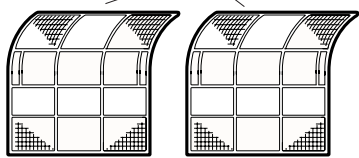
■ **How to remove the indoor unit.**
Push up the marked area (at the lower part of the front panel) to release the claws. If it is difficult to release, remove the front panel.



The mounting plate should be installed on a wall which can support the weight of the indoor unit.



Cut thermal insulation pipe to an appropriate length and wrap it with tape, making sure that no gap is left in the insulation pipe's cut line.



Ⓢ Air purification filter with photocatalytic deodorising function
20,25,35 class
Tabs (upper 3 locations)

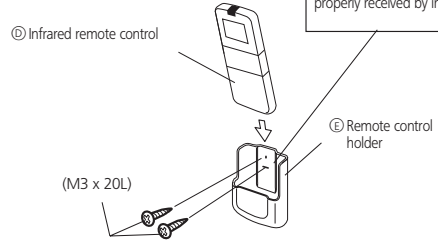
Ⓢ Air purification filter without photocatalytic deodorising function
Tabs (lower 2 locations)

Insert the upper side of the Ⓢ Air purification filter with photocatalytic deodorising function into the tabs (upper 3 locations), push the lower side of the filters up a little and into the tabs (lower 2 locations).

Service lid
This service lid is an open/close type.

- Remove the screws on the service lid.
- Slide the service lid leftward.
- Rotate the service lid upward.

Before screwing the remote control holder to the wall, make sure that control signals are properly received by indoor unit.





10 Installation

FT(Y)S50-60B

Indoor unit installation drawings

