

technical data



FTKS-CAVMB

**Wall Mounted,
Inverter Controlled Unit**

air conditioning systems

Split
Sky Air

TABLE OF CONTENTS

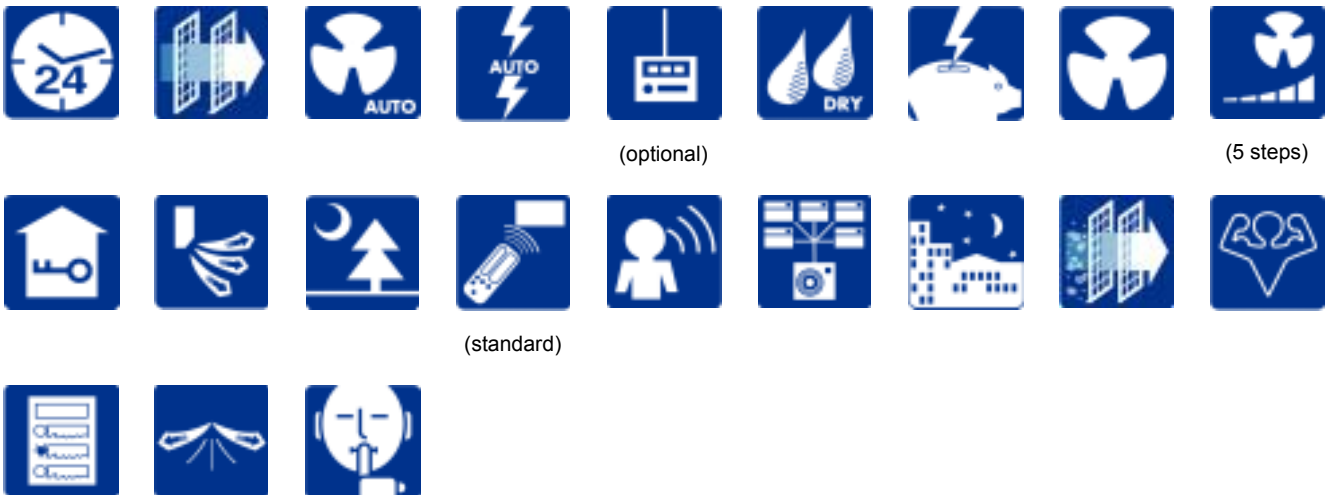
FTKS-CAVMB

1	Features	2
2	Specifications	3
	For indoor units only	3
	Technical Specifications	3
	Electrical Specifications	4
3	Options	5
4	Control systems	6
5	Dimensional drawing & centre of gravity	7
	Dimensional drawing	7
	Centre of gravity	8
6	Piping diagram	9
7	Wiring diagram	10
	Wiring diagram	10
8	Sound data	11
	Sound pressure spectrum	11
9	Installation	12
	Installation method	12

1 Features

- Compact&stylish
- Flat front panel: its stylish appearance blends easily within any interior décor and is more easy to clean.
- Lightweight and compact
- The movement sensor saves power consumption in unoccupied rooms
- The home leave operation saves energy during absence
- Horizontal and vertical auto-swing function ensures efficient air and temperature distribution.
- Powerful mode can be selected for rapid cooling
- Air purification filter with photocatalytic deodorising function: deodorises the air, powerfully decomposes cigarette and pet odours, removes house dust and pollen, deactivates bacteria and viruses
- Indoor unit silent operation: "Silent" button on the remote control lowers the operation sound of the indoor unit by 3dB(A).
- Easy to install
- Up to 4 indoor units can be connected to 1 Multi outdoor unit. All indoor units are individually controllable with remote control and do not need to be installed in the same room or at the same time. They operate simultaneously within the same cooling m
- Daikin remote controls give you easy control at your fingertips.
- The remote control has a 24-hour timer
- The indoor unit also has a start/stop button mounted on the front panel
- Up to 5 indoor units can be operated from a single centralised control
- Purpose-designed holder provided for your remote control

1



2 Specifications

2-1 FOR INDOOR UNITS ONLY			FTKS20CAVMB	FTKS25CAVMB	FTKS35CAVMB
Nominal Input	Cooling	kW	0.040	0.040	0.040

2-2 TECHNICAL SPECIFICATIONS				FTKS20CAVMB	FTKS25CAVMB	FTKS35CAVMB	
Casing	Colour			White			
Dimensions	Packing	Height	mm	325	325	325	
		Width	mm	834	834	834	
		Depth	mm	285	258	258	
	Unit	Height	mm	273	273	273	
		Width	mm	784	784	784	
		Depth	mm	195	195	195	
Weight	Unit		kg	7.5	7.5	7.5	
	Packed Unit		kg	11.0	11.0	11.0	
Heat Exchanger	Dimensions	Length	mm	577	577	577	
		Nr of Rows			2	2	2
		Fin Pitch	mm	1.40	1.40	1.40	
		Nr of Stages			12	12	12
	Tube type		Hi-XA (7)				
	Fin	Type		ML fin (Multi louver)			
Fan	Type			Cross flow fan			
Air Flow Rate	Cooling	High	m ³ /min	7.70	7.70	7.70	
		Medium	m ³ /min	5.90	5.90	6.00	
		Low	m ³ /min	4.20	4.20	4.40	
		Silent Operation	m ³ /min	3.60	3.60	3.80	
		Fan		Motor	Quantity	1	1
			Model	18F-22			
			Number of steps	5 steps, silent and auto			
Motor	Speed (cooling)	High	rpm	1340	1340	1340	
		Medium	rpm	1090	1090	1100	
		Low	rpm	840	840	870	
		Silent Operation	rpm	760	760	790	
		Fan	Motor	Output (high)	W	18	18
Cooling	Sound Power	High	dBA	56.0	56.0	57.0	
		Sound Pressure	High	dBA	38.0	38.0	39.0
			Medium	dBA	32.0	32.0	33.0
			Low	dBA	25.0	25.0	26.0
			Silent Operation	dBA	22.0	22.0	23.0
Refrigerant	Type			R-410A			
Piping connections	Liquid (OD)	Diameter (OD)	mm	6.4	6.4	6.35	
		Gas	Diameter (OD)	mm	9.5	9.5	9.5
	Drain	Diameter (OD)	mm	18	18	18	
	Heat Insulation			Both liquid and gas pipes			
Air Filter	Removable/washable/Mildew proof						
Air direction control	Left, right, up and downwards						
Temperature control	Microcomputer control						

2 Specifications

2-2 TECHNICAL SPECIFICATIONS		FTKS20CAVMB	FTKS25CAVMB	FTKS35CAVMB
Standard Accessories	Item	Installation manual		
	Quantity	1	1	1
	Item	Operation manual		
	Quantity	1	1	1
	Item	Infrared remote control		
	Quantity	1	1	1
	Item	Batteries		
	Quantity	2	2	2
	Item	Remote control holder		
	Quantity	1	1	1
	Item	Air purification filter with photocatalytic function		
	Quantity	2	2	2
	Item	Mounting plate		
	Quantity	1	1	1
Item	Indoor unit fixing screws			
Quantity	2	2	2	
Notes	Sound values are measured in an anechoic room.			
	Sound pressure level is a relative value, depending on the distance and acoustic environment. For more details, please refer to sound level drawings of this chapter.			
	The sound power level is an absolute value indicating the power which a sound source generates.			

2-3 ELECTRICAL SPECIFICATIONS				FTKS20CAVMB	FTKS25CAVMB	FTKS35CAVMB
Power Supply	Name			VM		
	Phase			1	1	1
	Frequency	Hz	50/60			
	Voltage	V	220-240/220-230			
Current	Nominal running current (RLA)	Cooling	A	0.180	0.180	0.180
Wiring connections	For Power Supply	Quantity	3			
		Remark	4 for interunit wiring (included earth wiring)			
Voltage range	Minimum			-10%		
	Maximum			+10%		
Power Supply Intake				Outdoor unit only		

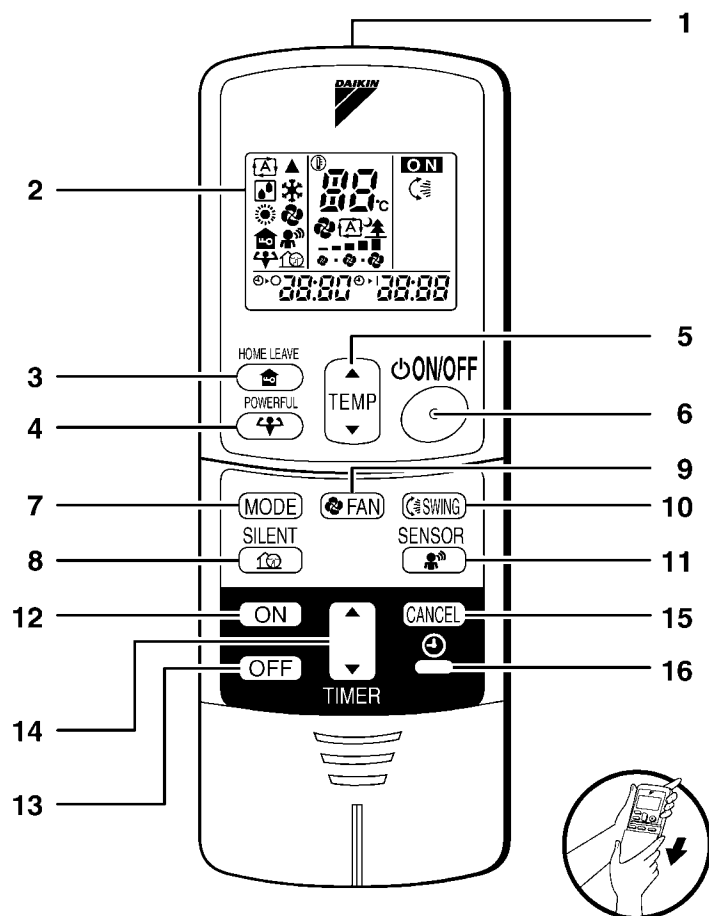
3 Options

FTK/XS-C/E		20	25	35	50	60	71
Wiring adapter for time clock / remote control (1)	Normal open contact	KRP413A1S					
	Normal open pulse contact	KRP413A1S					
Centralised control board	1 up to 5 rooms (2)	KRC72					
Central remote control		DCS302C51					
Unified ON/OFF control		DCS301B51					
Schedule timer		DST301B51					
Interface adapter (3)		KRP928A2S					
Air purification filter with photocatalytic deodorising function (with frame)		KAF918A43					
Air purification filter with photocatalytic deodorising function (without frame)		KAF918A44					
Anti-theft protection for remote control		KRF917AA4					

(1) Wiring adapter is also required for each indoor unit.
 (2) Wiring adapter supplied by Daikin. Time clock and other devices: field supply.
 (3) Interface adapter for room air conditioners (DIII-NET)

4 Control systems

FTK/XS20-25-35C



<ARC433A1, A2>

- | | |
|--|--|
| <p>1 Signal transmitter:
• It sends signals to the indoor unit.</p> <p>2 Display:
• It displays the current settings. (In this illustration, each section is shown with all its displays ON for the purpose of explanation.)</p> <p>3 HOME LEAVE button:
for HOME LEAVE operation</p> <p>4 POWERFUL button:
for POWERFUL operation</p> <p>5 TEMPERATURE adjustment buttons:
• It changes the temperature setting</p> <p>6 ON/OFF button:
• Press this button once to start operation. Press once again to stop it.</p> <p>7 MODE selector button:
• It selects the operation mode
(Auto / Dry / Cool / Heat / Fan)</p> | <p>8 OUTDOOR UNIT SILENT button:
SILENT operation</p> <p>9 FAN setting button:
• It selects the air flow rate setting.</p> <p>10 SWING button</p> <p>11 SENSOR button: for INTELLIGENT EYE
Operation</p> <p>12 ON TIMER button</p> <p>13 OFF TIMER button</p> <p>14 TIMER setting button:
• It changes the time setting</p> <p>15 TIMER CANCEL button:
It cancels the timer setting.</p> <p>16 CLOCK button</p> |
|--|--|

5 Dimensional drawing & centre of gravity

5 - 1 Dimensional drawing

FTK/XS20-25-35C unit (mm)

The mark (→) shows piping direction

Rear ↑
Left ← Right →

Bottom ↓

Infrared remote control

FTXS--: (ARC433A1)
FTKS--: (ARC433A2)

Air flow (indoor) required space (for performance and maintenance)

(including installation plate)

500mm (space for maintenance)

300mm (space for performance)

500mm (space for maintenance)

Gas pipe 9.5CuT (The length of pipe outside the unit: about 300)

Drain hose (connecting part I.D. ϕ 14.0, O.D. ϕ 18.0)

Liquid pipe ϕ 6.4 CuT (the length of pipe outside the unit: about 350)

(The hose length on the outside of the unit is approx. 410)

Blade angle

Up/down (automatic)
Cooling, dry

Heating

Right/left (manual)

Standard locations of wall holes

Wall hole for embedded piping ϕ 65 hole

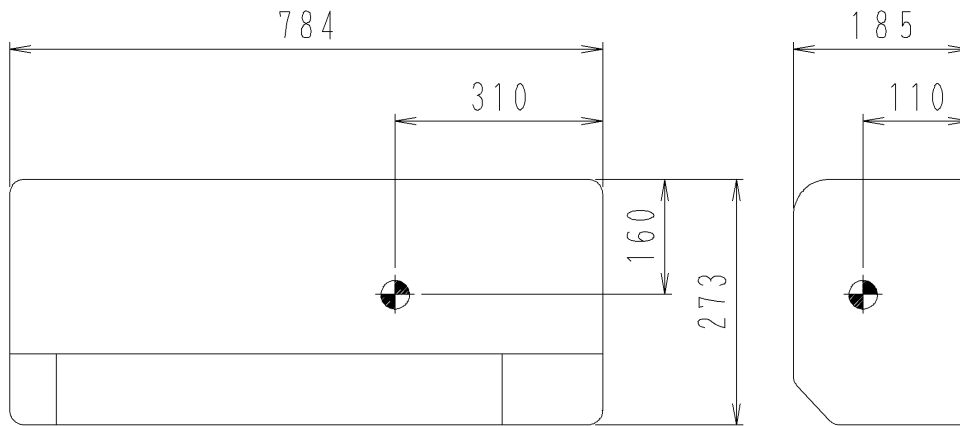
Wall hole ϕ 65 hole

3D044026

5 Dimensional drawing & centre of gravity

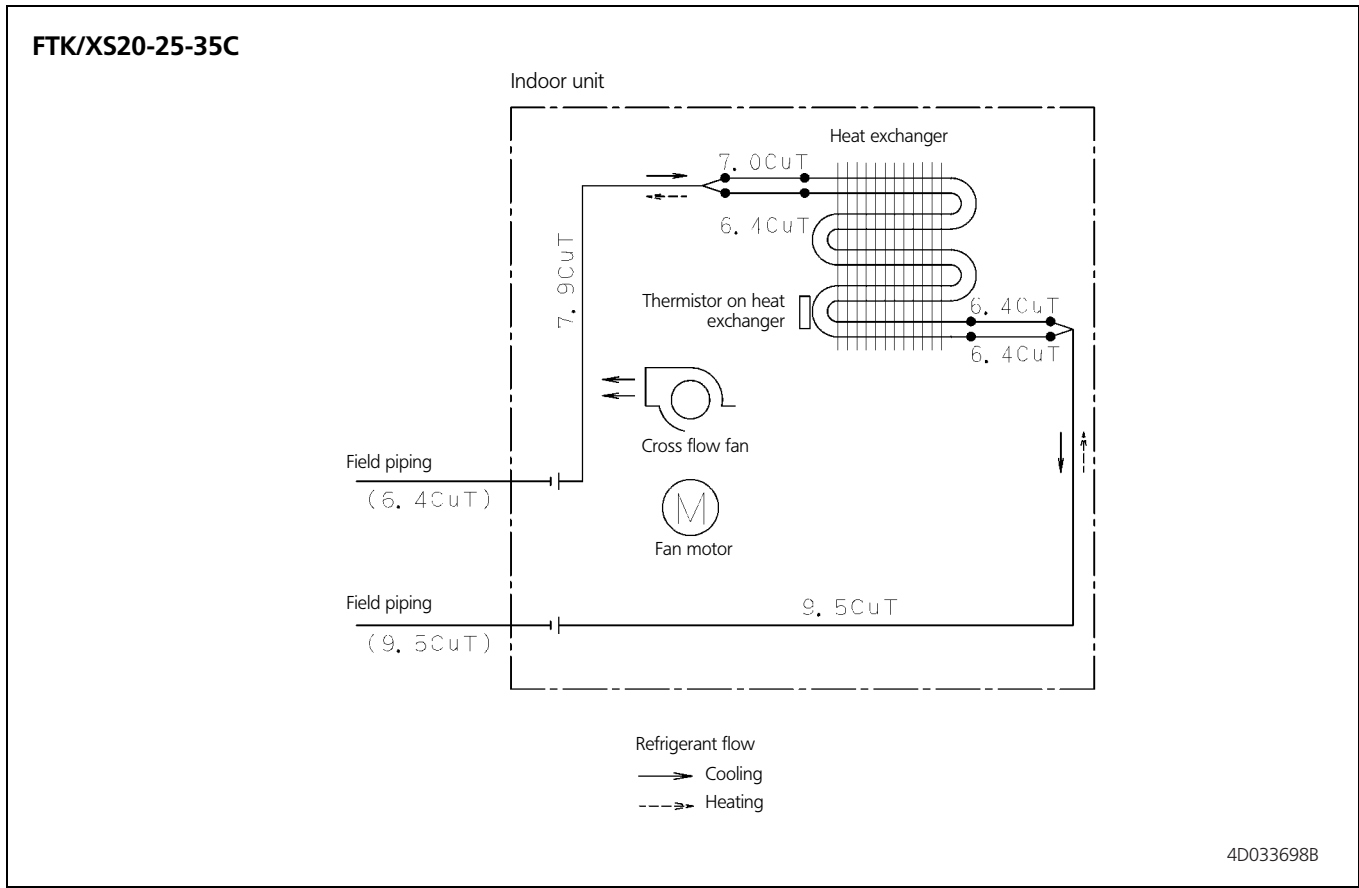
5 - 2 Centre of gravity

FTK/XS20-25-35C



4D020686H

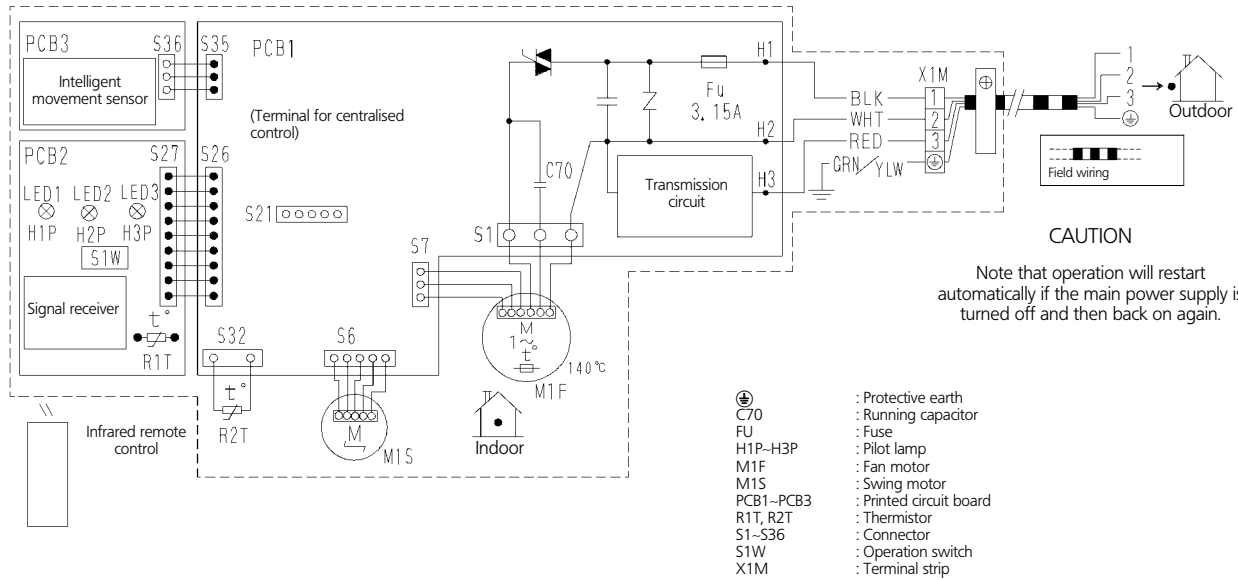
6 Piping diagram



7 Wiring diagram

7 - 1 Wiring diagram

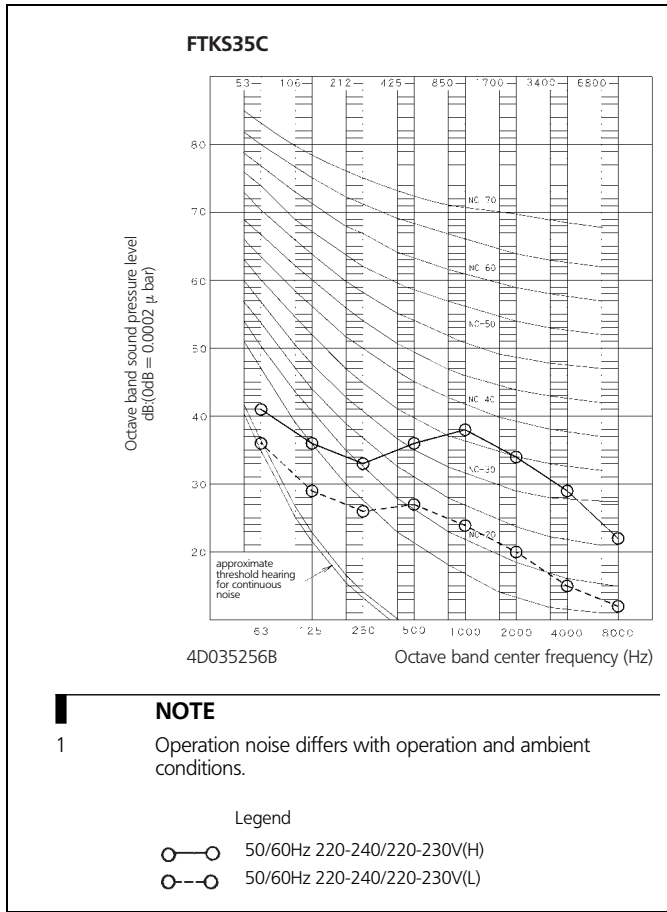
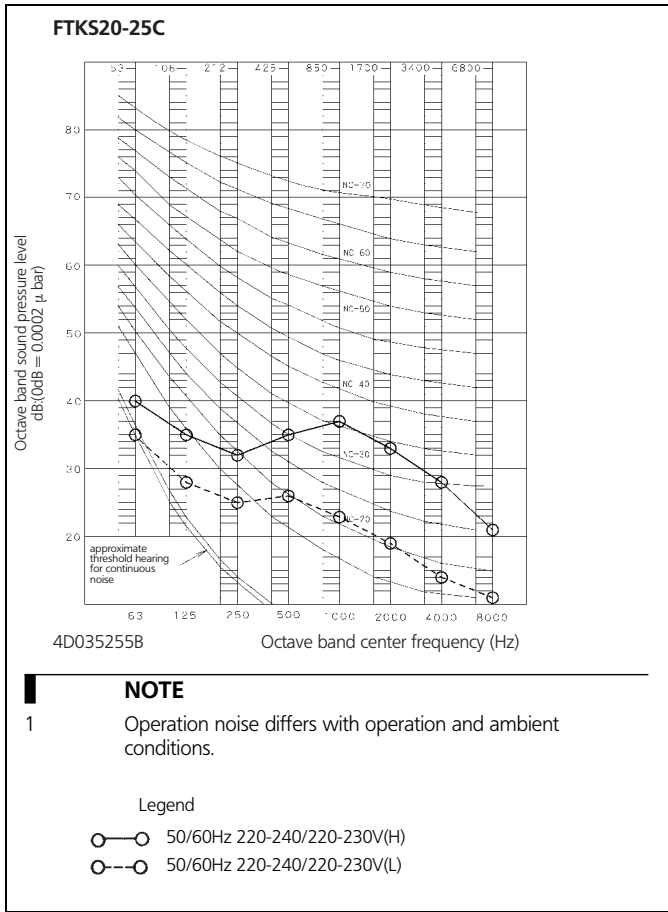
FTK/XS20-25-35C



3D033599C

8 Sound data

8 - 1 Sound pressure spectrum

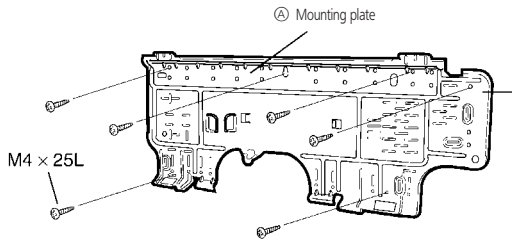


9 Installation

9 - 1 Installation method

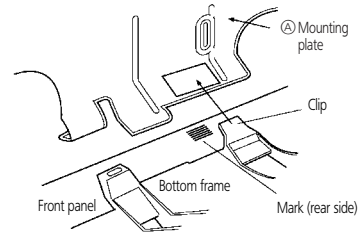
FTK/XS20-25-35C

Indoor unit installation drawings



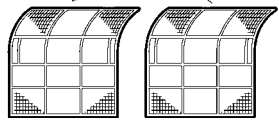
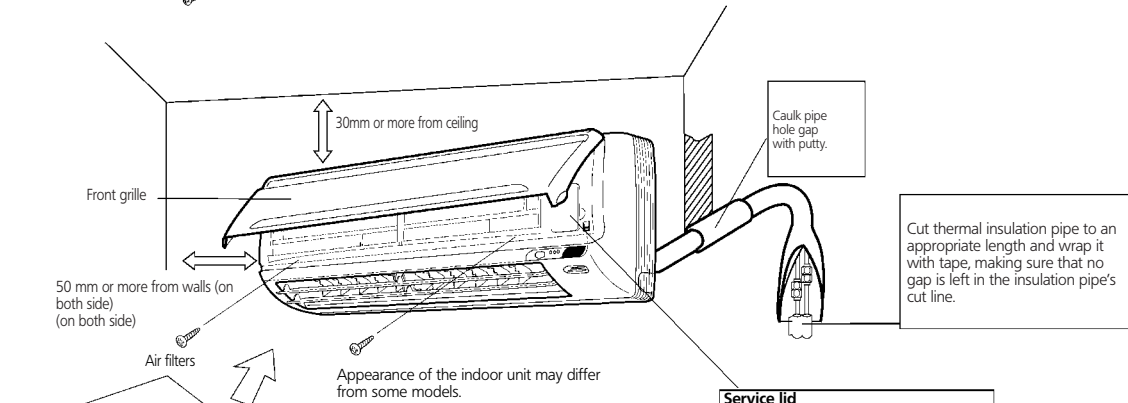
■ **How to attach the indoor unit.**
Hook the claws of the bottom frame to the mounting plate.
If the claws are difficult to hook, remove the front panel.

■ **How to remove the indoor unit.**
Push up the marked area (at the lower part of the front panel) to release the claws. If it is difficult to release, remove the front panel.



The mounting plate should be installed on a wall which can support the weight of the indoor unit.

9



Ⓔ Air purification filter with photocatalytic deodorising function

① Tabs (upper 3 locations)

② Tabs (lower 2 locations)

Insert the upper side of the Ⓔ Air purification filter with photocatalytic deodorising function into the tabs (upper 3 locations), push the lower side of the filters up a little and into the tabs (lower 2 locations).

Service lid
This service lid is an open/close type.

- Remove the screws on the service lid.
- Slide the service lid leftward.
- Rotate the service lid upward.

Ⓕ Infrared remote control

Ⓖ Remote control holder

(M3 x 20L)

Before screwing the remote control holder to the wall, make sure that control signals are properly received by indoor unit.

Split - Sky Air

The present publication is drawn up by way of information only and does not constitute an offer binding upon Daikin Europe N.V.. Daikin Europe N.V. has compiled the content of this publication to the best of its knowledge. No express or implied warranty is given for the completeness, accuracy, reliability or fitness for particular purpose of its content and the products and services presented therein. Specifications are subject to change without prior notice. Daikin Europe N.V. explicitly rejects any liability for any direct or indirect damage, in the broadest sense, arising from or related to the use and/or interpretation of this publication. All content is copyrighted by Daikin Europe N.V..



ISO14001 assures an effective environmental management system in order to help protect human health and the environment from the potential impact of our activities, products and services and to assist in maintaining and improving the quality of the environment.



Daikin units comply with the European regulations that guarantee the safety of the product.



Daikin Europe N.V. is approved by LRQA for its Quality Management System in accordance with the ISO9001 standard. ISO9001 pertains to quality assurance regarding design, development, manufacturing as well as to services related to the product.



Daikin Europe N.V. is participating in the EUROVENT Certification Programme. Products are as listed in the EUROVENT Directory of Certified Products.

DAIKIN EUROPE N.V.

Zandvoordestraat 300
B-8400 Ostend - Belgium
www.daikineurope.com

