

1 Features

- Flat front panel: its stylish appearance blends easily within any interior décor and is more easy to clean.
- Lightweight and compact
- Consumes up to 30% less energy than non-inverter units
- Dual air discharge flow for better air distribution
- ECONO mode decreases power consumption so that other appliances that need large power supply can be used
- Indoor unit On/Off switch
- Indoor unit silent operation
- Titanium apatite photocatalytic air purification filter
- Anticorrosion treatment of outdoor heat exchanger fin
- Powerful mode can be selected for rapid cooling or heating
- Energy saving during stand by mode: reduction of energy from 10W to 2W



optional



5 steps

standard



2 Specifications

2-1 FOR INDOOR UNITS ONLY			FTX20GV1B	FTX25GV1B	FTX35GV1B
Nominal input (Indoor only)	Cooling	kW	0.04	0.04	0.04
	Heating	kW	0.04	0.04	0.04

2-2 TECHNICAL SPECIFICATIONS				FTX20GV1B	FTX25GV1B	FTX35GV1B	
Casing	Colour			White			
Dimensions	Packing	Height	mm	344	344	344	
		Width	mm	840	840	840	
		Depth	mm	263	263	263	
	Unit	Height	mm	283	283	283	
		Width	mm	770	770	770	
		Depth	mm	198	198	198	
Weight	Unit		kg	7	7	7	
	Packed Unit		kg	11	11	11	
Heat Exchanger	Dimensions	Length	mm	610	610	610	
		Nr of Rows			2	2	2
		Fin Pitch	mm	1.4	1.4	1.4	
		Nr of Stages			14	14	14
	Tube type		Hi-XA (7)				
Fin		Type	ML fin (Multi louvre)				
Fan	Type			Cross flow fan			
	Quantity			1	1	1	
Air Flow Rate	Cooling	High	m ³ /min	9.1	9.2	9.3	
		Medium	m ³ /min	7.4	7.6	7.7	
		Low	m ³ /min	5.9	6.0	6.1	
		Silent Operation	m ³ /min	4.7	4.8	4.9	
	Heating	High	m ³ /min	9.4	9.7	10.1	
		Medium	m ³ /min	7.8	8.0	8.4	
		Low	m ³ /min	6.3	6.3	6.7	
		Silent Operation	m ³ /min	5.5	5.5	5.7	
	Cooling	High	cfm	321	325	328	
		Medium	cfm	261	268	272	
		Low	cfm	208	212	215	
		Silent Operation	cfm	166	169	173	
	Heating	High	cfm	331	342	356	
		Medium	cfm	276	283	295	
		Low	cfm	222	222	235	
		Silent Operation	cfm	194	194	201	
Fan	Motor	Quantity		1	1	1	
		Model		MM6C02J2V			
		Number of steps		5 steps, quiet, auto			
Motor	Speed (cooling)	High	rpm	1,210	1,250	1,300	
		Medium	rpm	990	1,030	1,070	
		Low	rpm	780	820	850	
		Silent Operation	rpm	630	630	680	
	Speed (heating)	High	rpm	1,260	1,300	1,340	
		Medium	rpm	1,090	1,110	1,150	
		Low	rpm	920	920	960	
		Silent Operation	rpm	820	820	850	
Fan	Motor	Output (high)	W	16	16	16	

2 Specifications

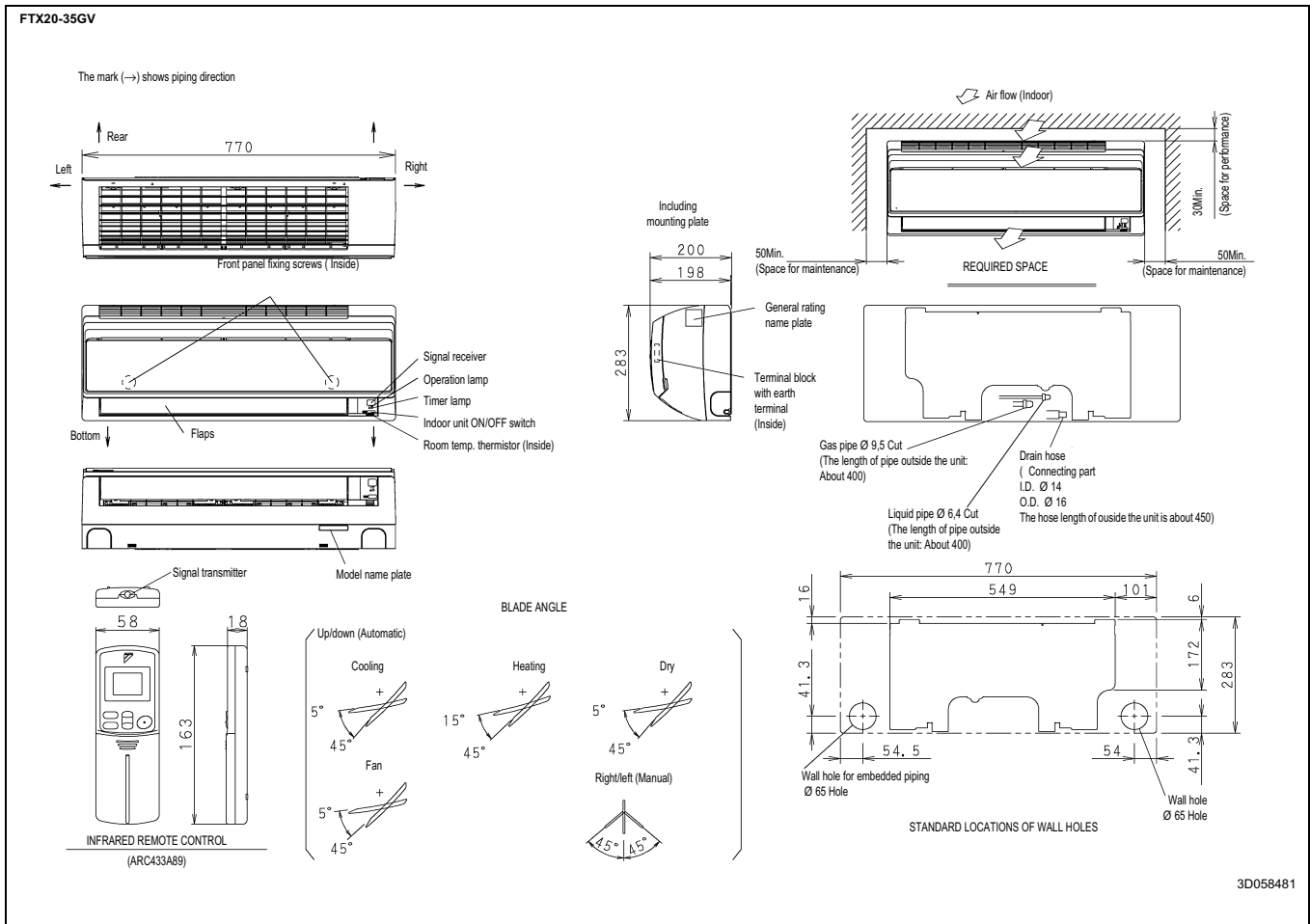
1
2

2-2 TECHNICAL SPECIFICATIONS				FTX20GV1B	FTX25GV1B	FTX35GV1B
Cooling	Sound Power	High	dBA	55	56	57
	Sound Pressure	High	dBA	39	40	41
		Medium	dBA	33	33	34
		Low	dBA	25	26	27
		Silent Operation	dBA	22	22	23
Heating	Sound Power	High	dBA	55	56	57
	Sound Pressure	High	dBA	39	40	41
		Medium	dBA	34	34	35
		Low	dBA	28	28	29
		Silent Operation	dBA	25	25	26
Refrigerant	Type			R-410A		
Piping connections	Liquid (OD)	Diameter (OD)	mm	6.35	6.35	6.35
	Gas	Diameter (OD)	mm	9.52	9.52	9.52
	Drain	Diameter (OD)	mm	18	18	18
	Heat Insulation			Both liquid and gas pipes		
Air Filter				Removable/washable/Mildew proof		
Air direction control				Right, Left, Horizontal, Downward		
Temperature control				Microcomputer control		
Standard Accessories	Item			Installation manual		
	Quantity			1	1	1
	Item			Operation manual		
	Quantity			1	1	1
	Item			Wireless remote control		
	Quantity			1	1	1
	Item			Batteries		
	Quantity			2	2	2
	Item			Remote control holder		
	Quantity			1	1	1
	Item			Mounting plate		
	Quantity			1	1	1
	Item			Fixing screw for indoor unit		
	Quantity			2	2	2
	Item			Titanium apatite photocatalytic air purification filter		
	Quantity			2	2	2

2-3 ELECTRICAL SPECIFICATIONS				FTX20GV1B	FTX25GV1B	FTX35GV1B
Power Supply	Name			V1		
	Phase			1~		
	Frequency	Hz		50	50	50
	Voltage	V		220-230-240		
Current	Nominal running current (RLA)	Cooling	A	0.18	0.18	0.18
		Heating	A	0.18	0.18	0.18
Wiring connections	For Power Supply	Quantity		3	3	3

3 Dimensional drawing & centre of gravity

3 - 1 Dimensional drawing



1
3

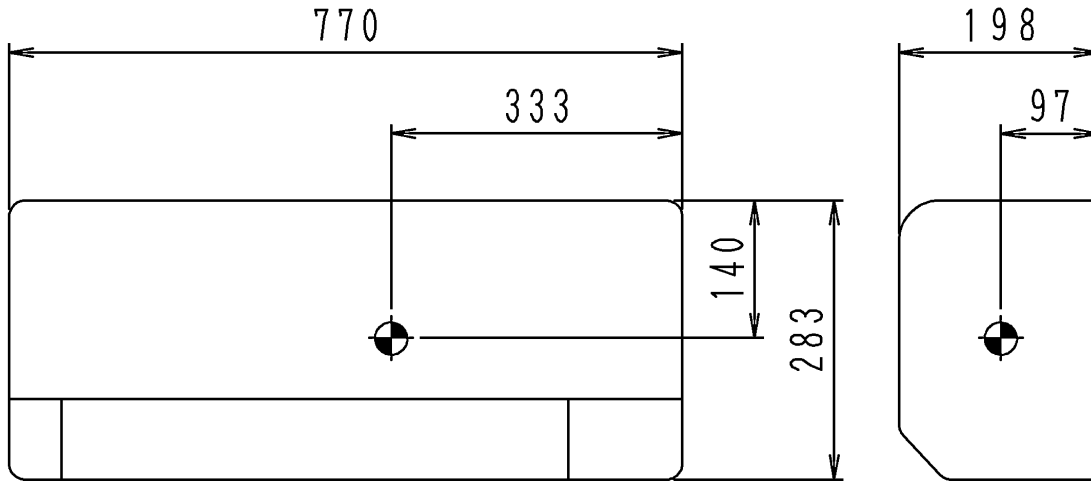
3 Dimensional drawing & centre of gravity

3 - 2 Centre of gravity

FTX20-35GV

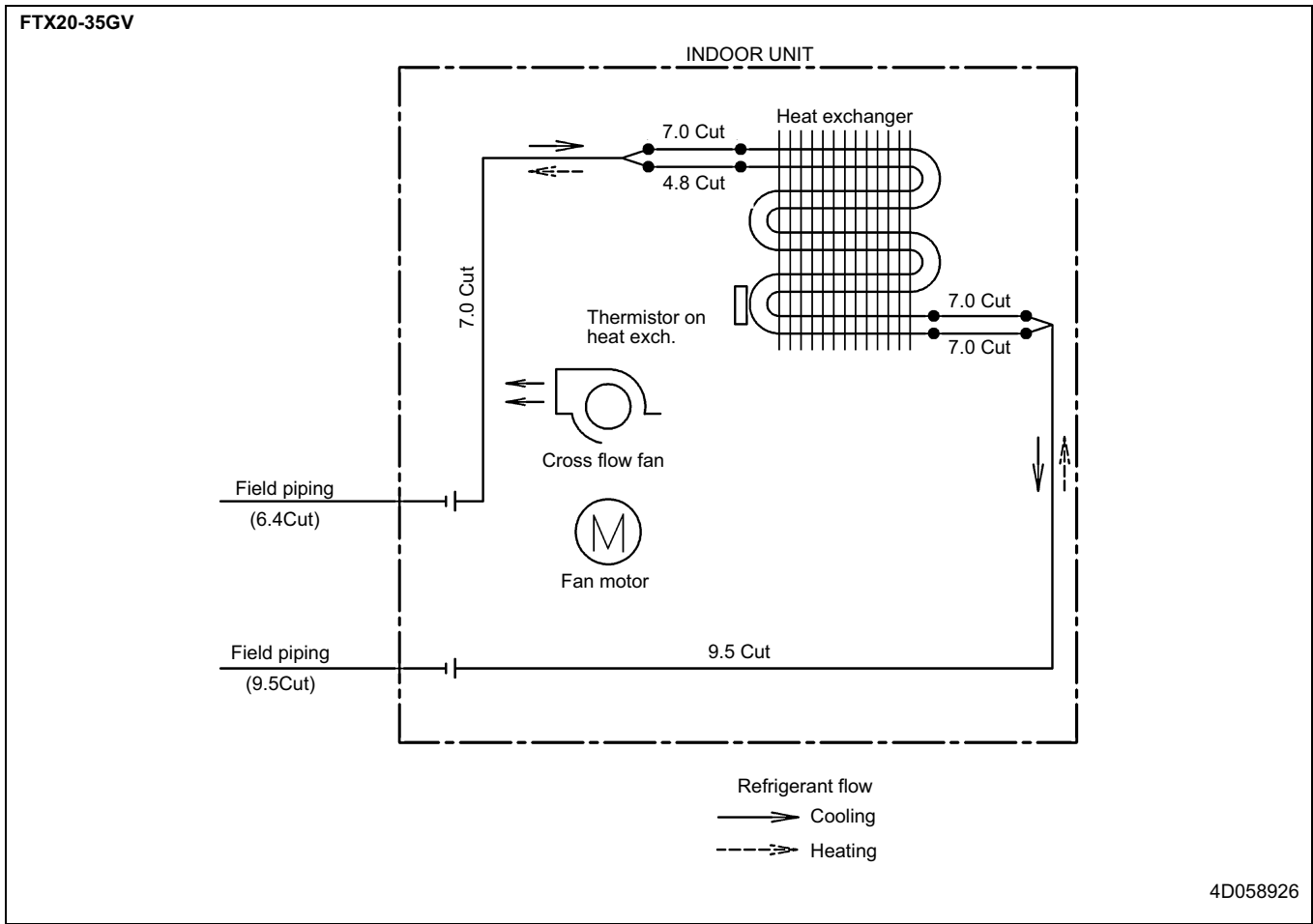
1

3



4D059099

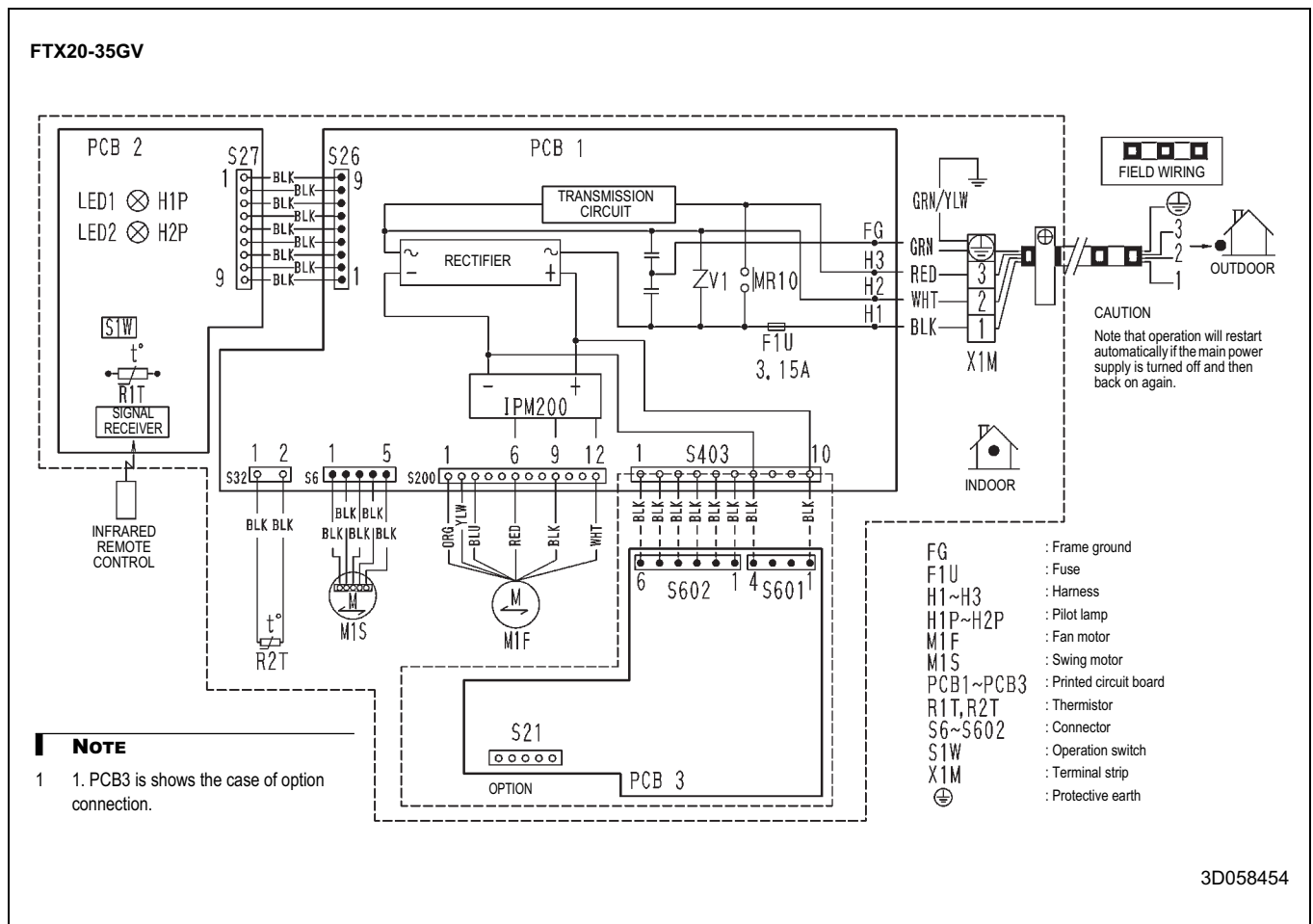
4 Piping diagram



5 Wiring diagram

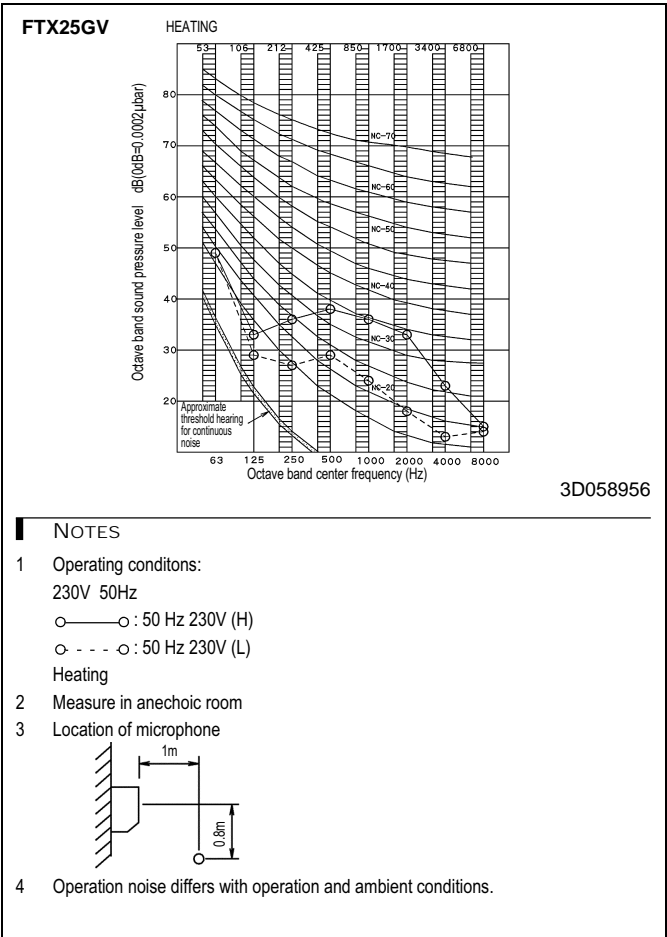
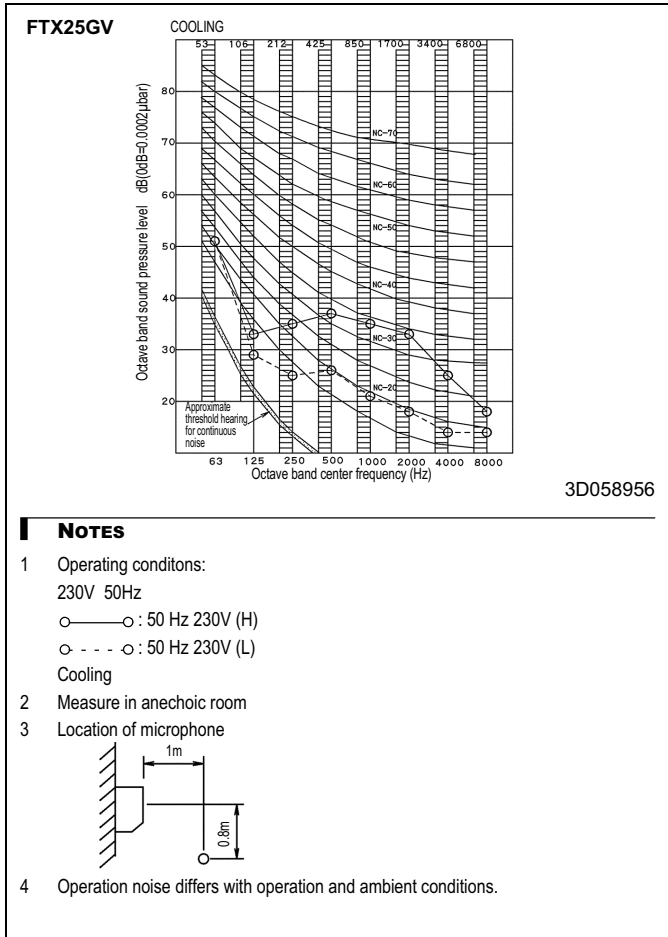
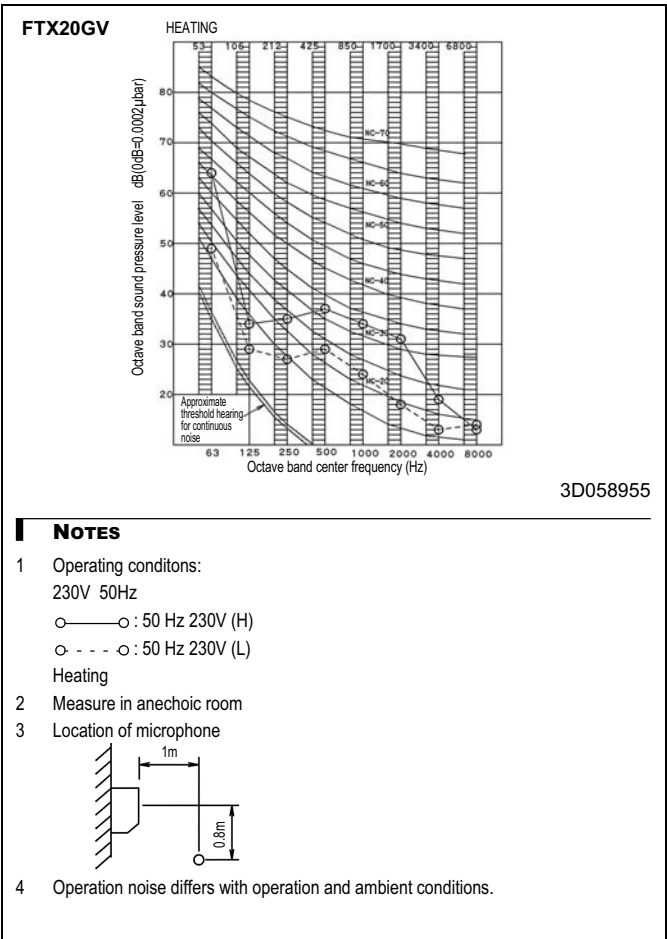
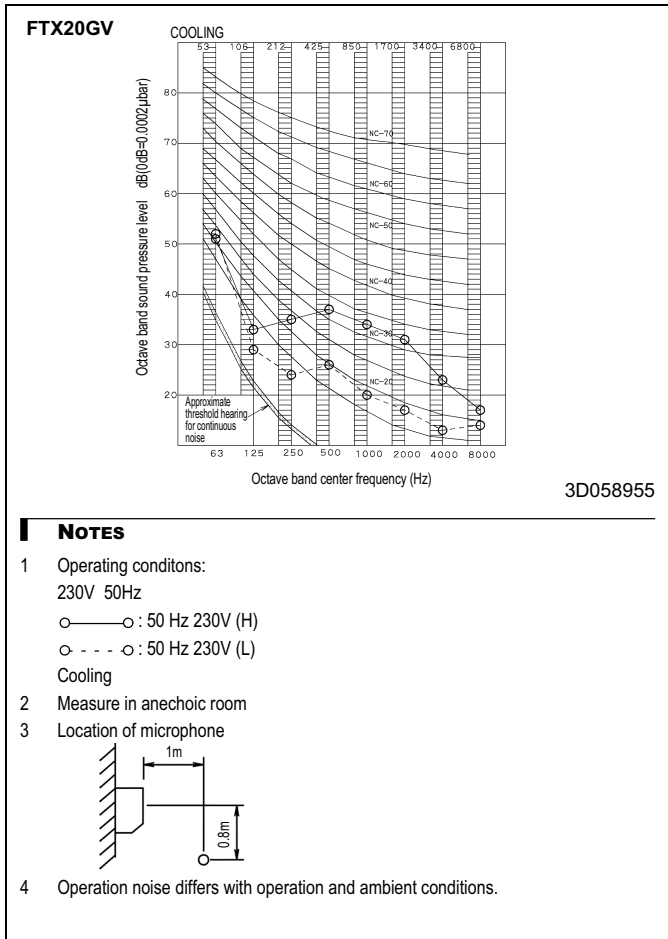
5 - 1 Wiring diagram

1
5



6 Sound data

6 - 1 Sound pressure spectrum



6 Sound data

6 - 1 Sound pressure spectrum

1
6

