

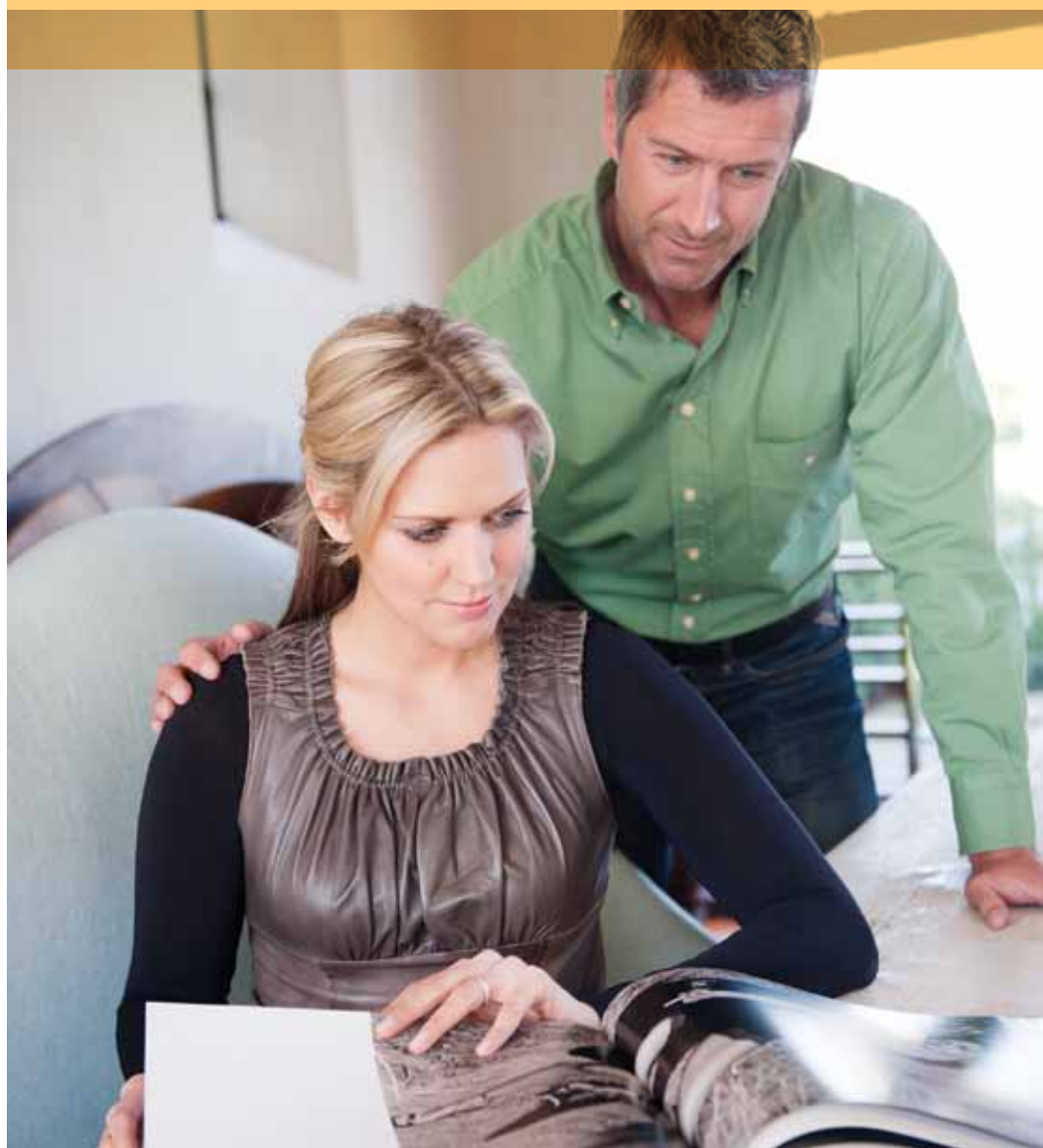


Air conditioners

Heating & Cooling

Multi model application

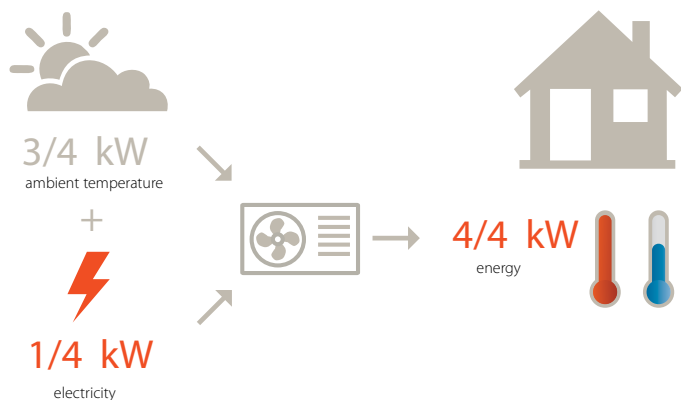
- » **Energy efficient heating & cooling**
- » **For residential and light commercial applications**
- » **Heating and cooling of 2 to 9 separate rooms with only 1 outdoor unit**
- » **Combine different types of indoor units**
- » **Individual control per room**
- » **Operation range up to -20°C in heating**



www.daikin.eu



Energy efficient heating and cooling



Did you know that ...

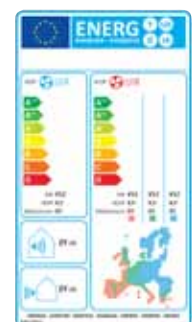
Air-to-air heat pumps obtain 75% of their output energy from a renewable source: the ambient air, which is both renewable and inexhaustible. Of course, heat pumps also require electricity to run the system, but increasingly this electricity can also be generated from renewable energy sources (solar energy, wind energy, hydropower, biomass). For heat pumps up to 12kW, efficiency is measured in SCOP (Seasonal Coefficient Of Performance) for heating and SEER (Seasonal Energy Efficiency Ratio) for cooling.

Seasonal efficiency: raising the bar on energy efficiency

To realise its challenging 20-20-20 environmental goals, Europe is imposing minimum efficiency requirements for energy related projects. These minimum requirements came into effect on 1 January 2013, and will be revised upward in subsequent years.

Not only does the Eco-Design Directive systematically raise the minimum requirements with respect to environmental performance, the method used to measure this performance has also been changed to better reflect real-life conditions. The new seasonal performance rating provides a much more accurate picture of actual expected energy efficiency over an entire heating or cooling season.

Completing the picture is a new energy label for EU. The present label, introduced in 1992 and modified in the meantime, allows consumers to compare and make purchasing decisions based on uniform labelling criteria. The new label includes multiple classifications from A+++ to D reflected in colour shadings ranging from dark green (most energy efficient) to red (least efficient). Information on the new label includes not only the new seasonal efficiency ratings for heating (SCOP) and cooling (SEER), but also annual energy consumption and sound levels. It will allow end-users to make even better informed choices, since seasonal efficiency reflects air conditioner or heat pump efficiency over an entire season.



For residential and light commercial applications

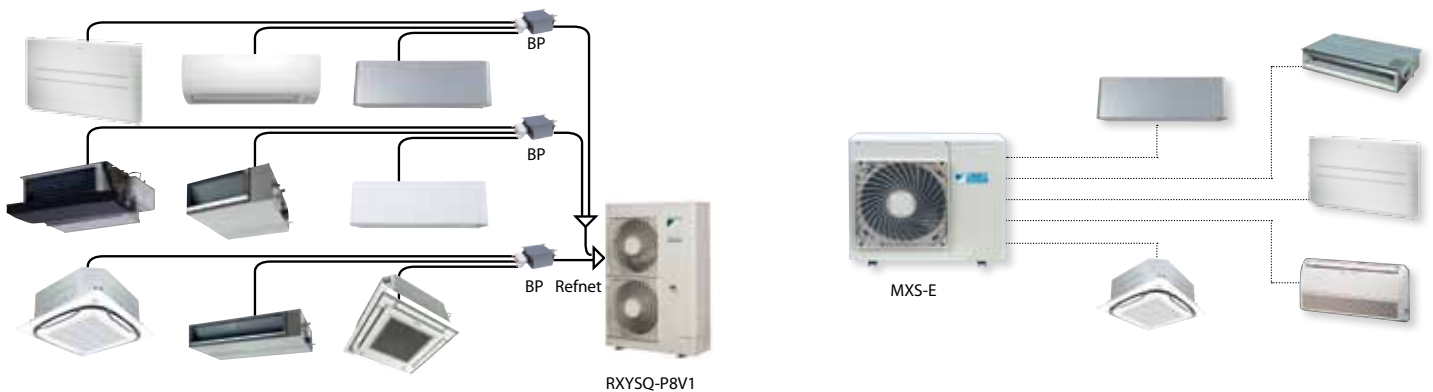
For heating or cooling multiple rooms, the Daikin Multi system is ideal for smaller applications, while the Daikin VRV system is perfect for bigger projects.



The Benefits of a Daikin Multi system

› Heating and cooling in up to 9 rooms

A Daikin Multi system allows up to 9 indoor units to operate from a single outdoor unit, thereby reducing installation space and costs. All indoor units can be individually controlled and do not need to be installed in the same room or at the same time - extra units (up to 5 for MXS Multi system, up to 9 for RXYSQ-P8V1 VRV system) can be added later.



› An ideal indoor climate

A single outdoor unit can heat up or cool down a complete house, office or small shop at different times. Our Multi system delivers a pleasant climate whilst working at your desk in the afternoon, as well as delivering a constant temperature in the living room and cool bedroom in the evening. The MXS operates efficiently down to -15°C outdoors temperature, whilst the RXYSQ-P8V1 delivers perfect climate control with outside temperatures of -20°C .

Daikin is the market leader for innovation in climate control technology



With more than 85 years experience in air conditioning and 50 years in heat pumps, Daikin's passion for innovation led it to invent and then develop the variable refrigerant flow concept (the Daikin VRV system) more than a quarter of a century ago and we are now the leading exponents of this type of integrated climate control.

Combine different types of indoor units

A wide range of stylish indoor units can be combined and you can control each of them individually.

Different types of indoor units — wall mounted, concealed ceiling, floor standing etc - in different capacities can be mixed together in multi system applications. Thus the ideal indoor unit can be selected for the bedroom, living room, office or wherever, according to the installation surface or personal requirements.



› **Daikin Emura:** remarkable blend of iconic design and engineering excellence is finished in brushed aluminium or matt crystal white. Daikin Emura received a good design award, IF product design award 2010 and reddot design award honourable mention 2010.

› **Nexura:** the first stylish floor standing unit with a unique radiant heat panel. This panel radiates additional heat to improve your comfort on cold days.

› **Fully flat cassette :** unique design in the market. Integrates fully flat into the ceiling and fits flush into architectural ceiling modules.

› **Round flow cassette with auto cleaning decoration panel:** Daikin is the first to introduce the auto cleaning cassette to the European market. This function ensures easy removal of dust with a vacuum cleaner without opening the unit resulting in lower maintenance costs. The round flow cassette received a good design award.

Even more benefits with our RXYSQ-P8V1 VRV heat pump...



› **Up to nine indoor units for heating and cooling multiple rooms**

› **Silent at night**

The sound level of the RXYSQ-P8V1 outdoor unit can be reduced at night by choosing a start and end time for this function when selecting either the automatic or customized mode:

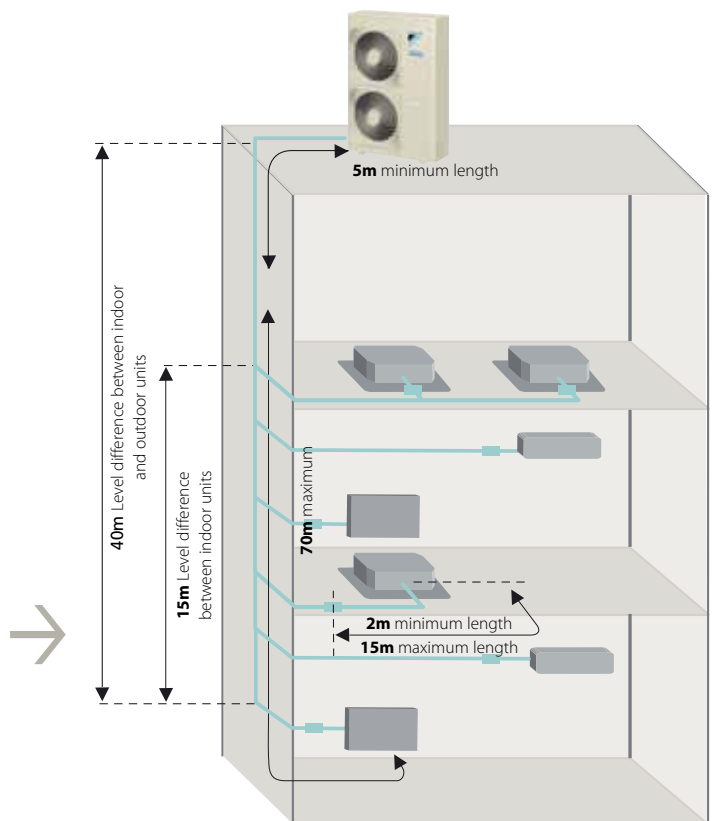
- › Mode 1: automatic mode. Time of maximum temperature is memorised.
- › Mode 2: customized mode. Starting and ending times can be input.

› **Flexible piping design**

Ideal for large or more complex projects, the RXYSQ-P8V1 allows for a flexible piping length of up to 250 meters (total length) with a 40 meter height difference between the indoor and outdoor units and a maximum of 70 meter distance between them.

› **Energy saving**

The power consumption can be limited so that other appliances that need large power consumption can be used.





Connectable indoor units

CONNECTABLE INDOOR UNITS	Wall mounted												Floor standing						Flexi type				Round flow cassette			Fully flat cassette				Concealed ceiling						Ceiling suspended										
	FTXG-J			CTXS-K			FTXS-K			FTXS-G			FTX-JV			FVXG-K			FVXS-F			FLXS-B				FCQG-F			FFQ-C				FDXS-F						FDBQ-B/FBQ-C8			FHQ-C				
	25	35	50	15	35	20	25	35	42	50	60	71	20	25	35	25	35	50	25	35	50	25	35	50	60	35	50	60	25	35	50	60	25	35	50	60	25	35	50	60	35	50	60			
2MXS40H	●	●		●	●	●	●	●	●				●	●	●	●	●	●	●	●	●	●	●	●					●	●																
2MXS50H	●	●		●	●	●	●	●	●				●	●	●	●	●	●	●	●	●	●	●	●					●	●	●	●	●	●												
3MXS40K	●	●		●	●	●	●	●	●							●	●	●	●	●	●	●	●	●					●	●		●	●	●							●					
3MXS52E	●	●		●	●	●	●	●	●				●	●	●	●	●	●	●	●	●	●	●	●					●	●	●	●	●	●							●	●	●			
3MXS68G	●	●		●	●	●	●	●	●				●	●	●	●	●	●	●	●	●	●	●	●					●	●	●	●	●	●							●	●	●			
4MXS68F	●	●		●	●	●	●	●	●				●	●	●	●	●	●	●	●	●	●	●	●					●	●	●	●	●	●							●	●	●			
4MXS80E	●	●		●	●	●	●	●	●				●	●	●	●	●	●	●	●	●	●	●	●					●	●	●	●	●	●							●	●	●			
5MXS90E	●	●		●	●	●	●	●	●				●	●	●	●	●	●	●	●	●	●	●	●					●	●	●	●	●	●							●	●	●			
RXYSQ-P8V1	●	●		●	●	●	●	●	●				●	●	●	●	●	●	●	●	●	●	●	●					●	●	●	●	●	●							●	●	●			



Connectable indoor units

INDOOR UNIT				FTXG25JA	FTXG35JA	FTXG50JA	FTXG25JW	FTXG35JW	FTXG50JW
Casing	Colour			Brushed aluminium			White		
Dimensions	Unit	HeightxWidthxDepth	mm	295x915x155			295x915x155		
Weight	Unit		kg	11			11		
Fan - Air flow rate	Cooling	High/Nom./Low/Silent operation	m ³ /min	8.8/8.8/4.7/3.8	10.1/10.1/4.6/3.9	10.3/10.3/6.7/5.7	8.8/8.8/4.7/3.8	10.1/10.1/4.6/3.9	10.3/10.3/6.7/5.7
	Heating	High/Nom./Low/Silent operation	m ³ /min	9.6/7.9/6.2/5.4	10.8/8.6/6.4/5.6	11.4/9.8/8.1/7.1	9.6/7.9/6.2/5.4	10.8/8.6/6.4/5.6	11.4/9.8/8.1/7.1
Sound power level	Cooling	Nom.	dB(A)	56	60		56	60	
	Heating	High	dB(A)	55	58	60	55	58	60
Sound pressure level	Cooling	High/Nom./Low/Silent operation	dB(A)	38/32/25/22	42/34/26/23	44/40/35/32	38/32/25/22	42/34/26/23	44/40/35/32
	Heating	High/Nom./Low/Silent operation	dB(A)	39/34/28/25	42/36/29/26	44/40/35/32	39/34/28/25	42/36/29/26	44/40/35/32
Piping connections	Liquid	OD	mm	6.35			6.35		
	Gas	OD	mm	9.52		12.7	9.52		12.7
	Drain	OD	mm	16 or 18		18.0	16 or 18		18.0
Power supply	Phase / Frequency / Voltage			Hz / V			1~ / 50 / 220-240		



INDOOR UNIT				CTXS15K	CTXS35K	FTXS20K	FTXS25K	FTXS35K	FTXS42K	FTXS50K	FTXS60G	FTXS71G	
Casing	Colour			White			White			White			
Dimensions	Unit	HeightxWidthxDepth	mm	289x780x215			289x780x215			298x900x215			290x1,050x250
Weight	Unit		kg	8			8			11			12
Fan - Air flow rate	Cooling	High/Nom./Low/Silent operation	m ³ /min	7.9/6.3/4.7/3.9	9.2/7.2/5.2/3.9	8.8/8.8/4.7/3.9	9.1/9.1/5.0/3.9	11.2/11.2/5.8/4.1	11.2/11.2/7.0/4.1	11.9/11.9/7.4/4.5	16.0/16.0/11.3/10.1	17.2/17.2/11.5/10.5	
	Heating	High/Nom./Low/Silent operation	m ³ /min	9.0/7.5/6.0/4.3	10.1/8.1/6.3/4.3	9.5/7.8/6.0/4.3	10.0/8.0/6.0/4.3	12.1/9.3/6.5/4.2	12.4/10.0/7.8/5.2	13.3/10.8/8.4/5.5	17.2/14.9/12.6/11.3	19.5/16.7/14.2/12.6	
Sound power level	Cooling	High/Nom.	dB(A)	-/55	-/59	-/58		-/59		-/60	61/60	-/63	
	Heating	High/Nom.	dB(A)	-/56	-/58	-/58		-/59		-/60	60/-	62/-	
Sound pressure level	Cooling	High/Nom./Low/Silent operation	dB(A)	37/31/25/21	42/35/28/21	40/32/24/19	41/33/25/19	45/37/29/19	45/39/33/21	46/40/34/23	45/41/36/33	46/42/37/34	
	Heating	High/Nom./Low/Silent operation	dB(A)	38/33/28/21	41/36/30/21	40/34/27/19	41/34/27/19	45/39/29/19	45/39/33/22	47/40/34/24	44/40/35/32	46/42/37/34	
Piping connections	Liquid	OD	mm	6.35			6.35			6.35			
	Gas	OD	mm	9.5			9.5			12.7		15.9	
	Drain		mm	18			18.0			18.0			
Power supply	Phase / Frequency / Voltage			Hz / V			1~ / 50 / 220-240			1~ / 50 / 220-240			



INDOOR UNIT				FTX20JV	FTX25JV	FTX35JV	
Casing	Colour			White			
Dimensions	Unit	HeightxWidthxDepth	mm	283x770x198			
Weight	Unit		kg	7			
Fan - Air flow rate	Cooling	High/Nom./Low/Silent operation	m ³ /min	9.1/9.1/5.9/4.7		9.2/9.2/6.0/4.8	9.3/9.3/6.1/4.9
	Heating	High/Nom./Low/Silent operation	m ³ /min	9.4/7.8/6.3/5.5		9.7/8.0/6.3/5.5	
Sound power level	Cooling	Nom.	dB(A)	55		55	
	Heating	High	dB(A)	55		56	
Sound pressure level	Cooling	High/Nom./Low/Silent operation	dB(A)	39/33/25/22		40/33/26/22	
	Heating	High/Nom./Low/Silent operation	dB(A)	39/34/28/25		40/34/28/25	
Piping connections	Liquid	OD	mm	6.35			
	Gas	OD	mm	9.52			
	Drain	OD	mm	18			
Power supply	Phase / Frequency / Voltage			Hz / V			
				1~ / 50 / 220-240			



nexura



INDOOR UNIT				FVXG25K	FVXG35K	FVXG50K
Casing	Colour			Fresh white (6.5Y 9.5/0.5)		
Dimensions	Unit	HeightxWidthxDepth	mm	600x950x215		
Weight	Unit		kg	22		
Fan - Air flow rate	Cooling	High/Nom./Low/Silent operation	m ³ /min	8.9/8.9/5.3/4.5	9.1/9.1/5.3/4.5	10.6/10.3/7.3/6.0
	Heating	High/Nom./Low/Silent operation	m ³ /min	9.9/7.8/5.7/4.7	10.2/8.0/5.8/5.0	12.2/10.0/7.8/6.8
Sound power level	Cooling	Nom.	dB(A)	52	52	58
	Heating	Nom.	dB(A)	55	56	58
Sound pressure level	Cooling	High/Nom./Low/Silent operation	dB(A)	38/32/26/23	39/33/27/24	44/40/36/32
	Heating	High/Nom./Low/Silent operation	dB(A)	39/32/26/22	40/33/27/23	46/40/34/30
Piping connections	Liquid	OD	mm	6.35		
	Gas	OD	mm	9.5	9.5	12.7
	Drain	OD	mm	18		
Power supply	Phase / Frequency / Voltage			Hz / V		
				1~ / 50 / 220-240		



INDOOR UNIT				FVXS25F	FVXS35F	FVXS50F
Casing	Colour			White		
Dimensions	Unit	HeightxWidthxDepth	mm	600x700x210		
Weight	Unit		kg	14		
Fan - Air flow rate	Cooling	High/Nom./Low/Silent operation	m ³ /min	8.2/8.2/4.8/4.1	8.5/8.5/4.9/4.5	10.7/10.7/7.8/6.6
	Heating	High/Nom./Low/Silent operation	m ³ /min	8.8/6.9/5.0/4.4	9.4/7.3/5.2/4.7	11.8/10.1/8.5/7.1
Sound power level	Cooling	High/Nom.	dB(A)	-/52	55/52	-/60
	Heating	High	dB(A)	-	55	57
Sound pressure level	Cooling	High/Nom./Low/Silent operation	dB(A)	38/32/26/23	39/33/27/24	44/40/36/32
	Heating	High/Nom./Low/Silent operation	dB(A)	38/32/26/23	39/33/27/24	45/40/36/32
Piping connections	Liquid	OD	mm	6.35		
	Gas	OD	mm	9.5		12.7
	Drain	OD	mm	20.0		
Power supply	Phase / Frequency / Voltage			Hz / V		
				1~ / 50 / 220-240		



INDOOR UNIT				FLXS25B	FLXS35B	FLXS50B	FLXS60B
Casing	Colour			Almond white			
Dimensions	Unit	HeightxWidthxDepth	mm	490x1,050x200			
Weight	Unit		kg	16			17
Fan - Air flow rate	Cooling	High/Nom./Low/Silent operation	m ³ /min	7.6/7.6/6.0/5.2	8.6/8.6/6.6/5.6	11.4/11.4/8.5/7.5	12.0/10.7/9.3/8.3
	Heating	High/Nom./Low/Silent operation	m ³ /min	9.2/8.3/7.4/6.6	9.8/8.9/8.0/7.2	12.1/9.8/7.5/6.8	12.8/10.6/8.4/7.5
Sound power level	Cooling	High/Nom.	dB(A)	53/51	54/53	63/60	64
	Heating	High	dB(A)	53	55	62	63
Sound pressure level	Cooling	High/Nom./Low/Silent operation	dB(A)	37/34/31/28	38/35/32/29	47/43/39/36	48/45/41/39
	Heating	High/Nom./Low/Silent operation	dB(A)	37/34/31/29	39/36/33/30	46/41/35/33	47/42/37/34
Piping connections	Liquid	OD	mm	6.35			
	Gas	OD	mm	9.5			12.7
	Drain	OD	mm	18			
Power supply	Phase / Frequency / Voltage			Hz / V			
				1~ / 50/60 / 220-240/220-230			



INDOOR UNIT				FDXS25F	FDXS35F	FDXS50F	FDXS60F
Dimensions	Unit	HeightxWidthxDepth	mm	200x750x620		200x950x620	200x1,150x620
Weight	Unit		kg	21		27	30
Fan - Air flow rate	Cooling	High/Nom./Low	m ³ /min	8.7/8.7/7.3		12.0/12.0/10.0	16.0/16.0/13.5
	Heating	High/Nom./Low	m ³ /min	8.7/8.0/7.3		12.0/11.0/10.0	16.0/14.8/13.5
Fan - External static pressure	Nom.		Pa	30		40	40
Sound power level	Cooling	High	dBA	53		55	56
	Heating	High	dBA	53		55	56
Sound pressure level	Cooling	High/Nom./Low	dBA	35/33/27		37/35/29	38/36/30
	Heating	High/Nom./Low	dBA	35/33/27		37/35/29	38/36/30
Piping connections	Liquid	OD	mm			6.35	
	Gas	OD	mm	9.5			12.7
	Drain	OD	mm				
Power supply	Phase / Frequency / Voltage		Hz / V	1~ / 50 / 230		1~ / 50 / 220-240	



INDOOR UNIT				FBQ25B
Casing	Material			Zinc coated low carbon steel
Dimensions	Unit	HeightxWidthxDepth	mm	230x652x502
Weight	Unit		kg	17.0
Fan - Air flow rate	Cooling	High/Low	m ³ /min	6.50/5.20
	Heating	High/Low	m ³ /min	6.95/5.20
Sound power level	Cooling	High/Low	dBA	55.0/49.0
	Heating	High/Low	dBA	55.0/49.0
Sound pressure level	Cooling	High/Low	dBA	35.0/28.0
	Heating	High/Low	dBA	35.0/29.0
Piping connections	Liquid	OD	mm	6.35
	Gas	OD	mm	9.52
	Drain			27.2
Power supply	Phase / Frequency / Voltage		Hz / V	1~ / 50 / 230



INDOOR UNIT				FBQ35C8	FBQ50C8	FBQ60C8
Casing	Colour			Not painted (galvanised)		
Dimensions	Unit	HeightxWidthxDepth	mm	300x700x700		300x1,000x700
Required ceiling void >			mm	350		
Weight	Unit		kg	25		34
Decoration panel	Model			BYB545DJW1		BYB571DJW1
	Colour			White (10Y9/0.5)		
	Dimensions	HeightxWidthxDepth	mm	55x800x500		55x1,100x500
Fan - Air flow rate	Cooling	High/Low	m ³ /min	16/11		18/15
	Heating	High/Low	m ³ /min	16/11		18/15
Fan - External static pressure	High/Nom.		Pa	100/30		100/30
Sound power level	Cooling	Nom.	dBA	60		57
	Heating					
Sound pressure level	Cooling	High/Low	dBA	37/29		
	Heating	High/Low	dBA	37/29		
Piping connections	Liquid	OD	mm	6.35		
	Gas	OD	mm	9.5		12.7
	Drain	OD	mm			
Power supply	Phase / Frequency / Voltage		Hz / V	1~ / 50/60 / 220-240/220		



INDOOR UNIT				FFQ25C	FFQ35C	FFQ50C	FFQ60C
Casing	Material			Galvanised steel plate			
Dimensions	Unit	HeightxWidthxDepth	mm	260x575x575			
Weight	Unit		kg	16			17.5
Decoration panel	Model			BYFQ60CW /BYFQ60CS /BYFQ60B2			
	Colour			White (N9.5) /White (N9.5) + Silver / White (RAL9010)			
	Dimensions	HeightxWidthxDepth	mm	46x620x620 /46x620x620 /55x700x700			
	Weight		kg	2.8 / 2.8 / 2.7			
Fan - Air flow rate	Cooling	High/Nom./Low	m ³ /min	9/8/6.5	10/8.5/6.5	12/10/7.5	14.5/12.5/9.5
	Heating	High/Nom./Low	m ³ /min	9/8/6.5	10/8.5/6.5	12/10/7.5	14.5/12.5/9.5
Sound power level	Cooling	High	dBA	48	51	56	60
	Heating	High/Nom./Low	dBA	31/28.5/25	34/30.5/25	39/34/27	43/40/32
Sound pressure level	Cooling	High/Nom./Low	dBA	31/28.5/25	34/30.5/25	39/34/27	43/40/32
	Heating	High/Nom./Low	dBA	31/28.5/25	34/30.5/25	39/34/27	43/40/32
Piping connections	Liquid	OD	mm	6.35			
	Gas	OD	mm	9.52			12.7
Power supply	Phase / Frequency / Voltage			Hz / V 1~ / 50 / 220-240			

(1) EER/COP according to Eurovent 2012 (2) Dimensions do not include control box (3) The sound power level is an absolute value indicating the power which a sound source generates.



INDOOR UNIT				FCQG35F	FCQG50F	FCQG60F
Casing	Colour			-		
Dimensions	Unit	HeightxWidthxDepth	mm	204x840x840		
Weight	Unit		kg	18		19
Decoration panel	Model			BYCQ140D7W1 /BYCQ140D7W1W /BYCQ140D7GW1		
	Colour			Pure White (RAL 9010)		
	Dimensions	HeightxWidthxDepth	mm	60x950x950 / 60x950x950 /145x950x950		
	Weight		kg	5.4/10.3		
Fan - Air flow rate	Cooling	High/Nom./Low	m ³ /min	12.5/10.6/8.7	12.6/10.7/8.7	13.6/11.2/8.7
	Heating	High/Nom./Low/Silent operation	m ³ /min	12.5/10.6/8.7/-	12.6/10.7/8.7/-	13.6/11.2/8.7/-
Sound power level	Cooling	High	dBA	49		51
	Heating	High	dBA	49		51
Sound pressure level	Cooling	High/Nom./Low	dBA	31/29/27		33/31/28
	Heating	High/Nom./Low	dBA	31/29/27		33/31/28
Piping connections	Liquid	OD	mm	6.35		
	Gas	OD	mm	9.52		12.7
Power supply	Phase / Frequency / Voltage			Hz / V 1~ / 50 / 220-240		

Note: (1) The BYCQ140D7W1W has white insulations. Be informed that formation of dirt on white insulation is visibly stronger and that it is consequently not advised to install the BYCQ140D7W1W decoration panel in environments exposed to concentrations of dirt. (2) BYCQ140D7W1 = pure white panel with grey louvers, BYCQ140D7W1W = pure white standard panel with white louvers, BYCQ140D7GW1 = Pure white auto cleaning panel



INDOOR UNIT				FHQ35C		FHQ50C		FHQ60C	
Casing	Colour	Fresh White							
	Material	Resin, sheet metal							
Dimensions	Unit	HeightxWidthxDepth	mm	235x960x690				235x1,270x690	
Weight	Unit		kg	24		25		31	
Fan - Air flow rate	Cooling	High/Nom./Low	m ³ /min	14/11.5/10		15/12/10		19.5/15/11.5	
	Heating	High/Nom./Low	m ³ /min	14/11.5/10		15/12/10		19.5/15/11.5	
Sound power level	Cooling	High/Nom./Low	dBA	53/51/48		54/52/49		54/52/50	
	Heating	High/Nom./Low	dBA	53/51/48		54/52/49		54/52/50	
Sound pressure level	Cooling	High/Nom./Low	dBA	36/34/31		37/35/32		37/35/33	
	Heating	High/Nom./Low	dBA	36/34/31		37/35/32		37/35/33	
Piping connections	Liquid	OD	mm	6.35					
	Gas	OD	mm	9.5		12.7			
Power supply	Phase / Frequency / Voltage			Hz / V 1~ / 50/60 / 220-240/220					



OUTDOOR UNIT				2MXS40H	2MXS50H	3MXS40K	3MXS52E	3MXS68G	4MXS68F	4MXS80E	5MXS90E
Indoor units (*)				FTXS20K, FTXS20K	FTXS25K, FTXS25K	FTXS20K, FTXS20K	CTXS15K, CTXS15K, FTXS20K	CTXS15K, FTXS20K, FTXS35K	CTXS15K, CTXS15K, FTXS20K, FTXS20K	CTXS15K, CTXS15K, CTXS15K, FTXS35K	CTXS15K, CTXS15K, FTXS20K, FTXS20K
Cooling mode	SEER			6.61	6.61	6.9	7.15	5.34	5.68	6.16	6.42
	Energy efficiency class			A++	A++	A++	A++	A	A+	A++	A++
	Annual energy consumption kWh/a			212	265	203	245	446	420	416	424
	Design load PDesign kW			4.0	5.0	4.0	5.0	6.8	6.8	7.4	7.8
Heating mode	SCOP			4.12	4.00	4.05	4.31	4.00	4.15	4.00	4.19
	Energy efficiency class			A+	A+	A+	A+	A+	A+	A+	A+
	Annual electricity consumption kWh/a			1029	1466	1641	1605	1868	1953	2194	2161
	Design load PDesign at -10°C kW			3.1	4.2	4.8	5.0	5.4	5.8	6.3	6.5
	Declared heating capacity at -10°C			2.5	3.4	3.9	4.0	4.4	4.7	5.1	5.3
	Back up heating capacity			0.6	0.8	0.9	1.0	1.0	1.1	1.2	1.2
Dimensions	Unit	HeightxWidthxDepth	mm	550x765x285		735x936x300	735x936x300	735x936x300	735x936x300	770x900x320	
Weight	Unit			kg	38	42	49	58	58	72	73
Fan - Air flow rate	Cooling	High/Nom./Low	m ³ /min	36/33/30	37/34/34	45/45/41	45/45/45	52.7/49.4/43.5		54.5/-/46.0	57.1/54.5/46.0
	Heating	High/Nom./Low	m ³ /min	32/32/32	34/34/34	45/-/41	45/-/41	46.4/44.5/16.3		46.0/-/14.7	52.5/-/14.7
Compressor	Type			Hermetically sealed swing compressor							
Sound power level	Cooling	Nom.	dBA	62	63	59		61		62	66
Sound pressure level	Cooling	Nom.	dBA	47	48	46		48		52	
	Heating	Nom.	dBA	48	50	47		49		52	
Operation range	Cooling	Ambient	Min.-Max. °CDB	-10~46							
	Heating	Ambient	Min.-Max. °CWB	-15~18							
Refrigerant	Type			R-410A							
	GWP			1,975							
Piping connections	Liquid	OD	mm	6.35							
	Gas	OD	mm	9.5		9.5		9.52			
	Drain	OD	mm	16 (inner diameter of connecting hose)							
	Gas 2	OD	mm	-	12.7	-	-	12.7		25	
	Piping length	OU - IU	Max.	m	20	25	-	25			
	Level difference	IU - OU	Max.	m	15	15					
		IU - IU	Max.	m	7.5	7.5					
Total piping length	System	Actual	m	30	50		60	70	75		
Power supply	Phase / Frequency / Voltage			Hz / V 1~ / 50 / 220-240 1~ / 50 / 230							

(*) For seasonal data in combination with other indoor units, please consult www.daikineurope.com/energylabel



RXYSQ-P8V1

OUTDOOR UNIT				RXYSQ4P8V1	RXYSQ5P8V1	RXYSQ6P8V1	RXYSQ4P8Y1	RXYSQ5P8Y1	RXYSQ6P8Y1	
Capacity range			HP	4	5	6	4	5	6	
Cooling capacity	Nom.		kW	12.6	14.0	15.5	12.6	14.0	15.5	
Heating capacity	Nom.		kW	14.2	16.0	18.0	14.2	16.0	18.0	
Power input - 50Hz	Cooling	Nom.	kW	3.24	3.51	4.53	3.33	3.61	4.66	
	Heating	Nom.	kW	3.12	3.86	4.57	3.21	3.97	4.70	
EER				3.89	3.99	3.42	3.78	3.88	3.33	
COP				4.55	4.15	3.94	4.42	4.03	3.83	
Maximum number of connectable indoor units				8 (1) / 8 (2)	10 (1) / 9 (2)	12 (1) / 9 (2)	8 (1) / 8 (2)	10 (1) / 9 (2)	12 (1) / 9 (2)	
Indoor index connection	Min.			50	62.5	70	50	62.5	70	
	Nom.									
	Max.			130	162.5	182	130	162.5	182	
Dimensions	Unit	HeightxWidthxDepth	mm	1,345x900x320						
Weight	Unit		kg	120						
Sound power level	Cooling	Nom.	dBA	66	67	69	66	67	69	
Sound pressure level	Cooling	Nom.	dBA	50	51	53	50	51	53	
	Heating	Nom.	dBA	52	53	55	52	53	55	
Operation range	Cooling	Min.~Max.	°CDB	-5~46						
	Heating	Min.~Max.	°CWB	-20~15.5						
Refrigerant	Type			R-410A						
Piping connections	Liquid	OD	mm	9.52						
	Gas	OD	mm	15.9 (1) / 19.1 (2)	15.9 (1) / 19.1 (2)	19.1	15.9 (1) / 19.1 (2)	15.9 (1) / 19.1 (2)	19.1	
	Total piping length	System	Actual	m	300 (1) / 115 (2)	300 (1) / 135 (2)	300 (1) / 145 (2)	300 (1) / 115 (2)	300 (1) / 135 (2)	300 (1) / 145 (2)
	Level difference	OU - IU	m	50(1) / 40(2) (Outdoor unit in highest position) / 30 (Indoor unit in highest position)						
Power supply	Phase/Frequency/Voltage		Hz/V	1N~/50/220-240			3N~/50/380-415			
Current - 50Hz	Maximum fuse amps (MFA)		A	32.0			16.0			

(1) In case VRV indoor units are connected (2) In case RA indoors are connected



BRANCH PROVIDER			BPMKS967B2	BPMKS967B3
Connectable indoor units			1~2	1~3
Max. indoor unit connectable capacity			14.2	20.8
Max. connectable combination			71+71	60+71+71
Dimensions	height x width x depth	mm	180x294x350	
Weight		kg	7	8



The present leaflet is drawn up by way of information only and does not constitute an offer binding upon Daikin Europe N.V. Daikin Europe N.V. has compiled the content of this leaflet to the best of its knowledge. No express or implied warranty is given for the completeness, accuracy, reliability or fitness for particular purpose of its content and the products and services presented therein. Specifications are subject to change without prior notice. Daikin Europe N.V. explicitly rejects any liability for any direct or indirect damage, in the broadest sense, arising from or related to the use and/or interpretation of this leaflet. All content is copyrighted by Daikin Europe N.V.



Daikin Europe N.V. participates in the Eurovent Certification programme for Air conditioners (AC), Liquid Chilling Packages (LCP) and Fan coil units (FCU). Check ongoing validity of certificate online: www.eurovent-certification.com or using: www.certiflash.com

Daikin products are distributed by:

FSC

ECPEN13-016