



technical data

2-Way Blow Ceiling Mounted Cassette
FXCQ-M8V3B

air conditioning systems

VRV[®] III-S

VRV[®] III

VRV[®] II

VRV[®]-WII

TABLE OF CONTENTS

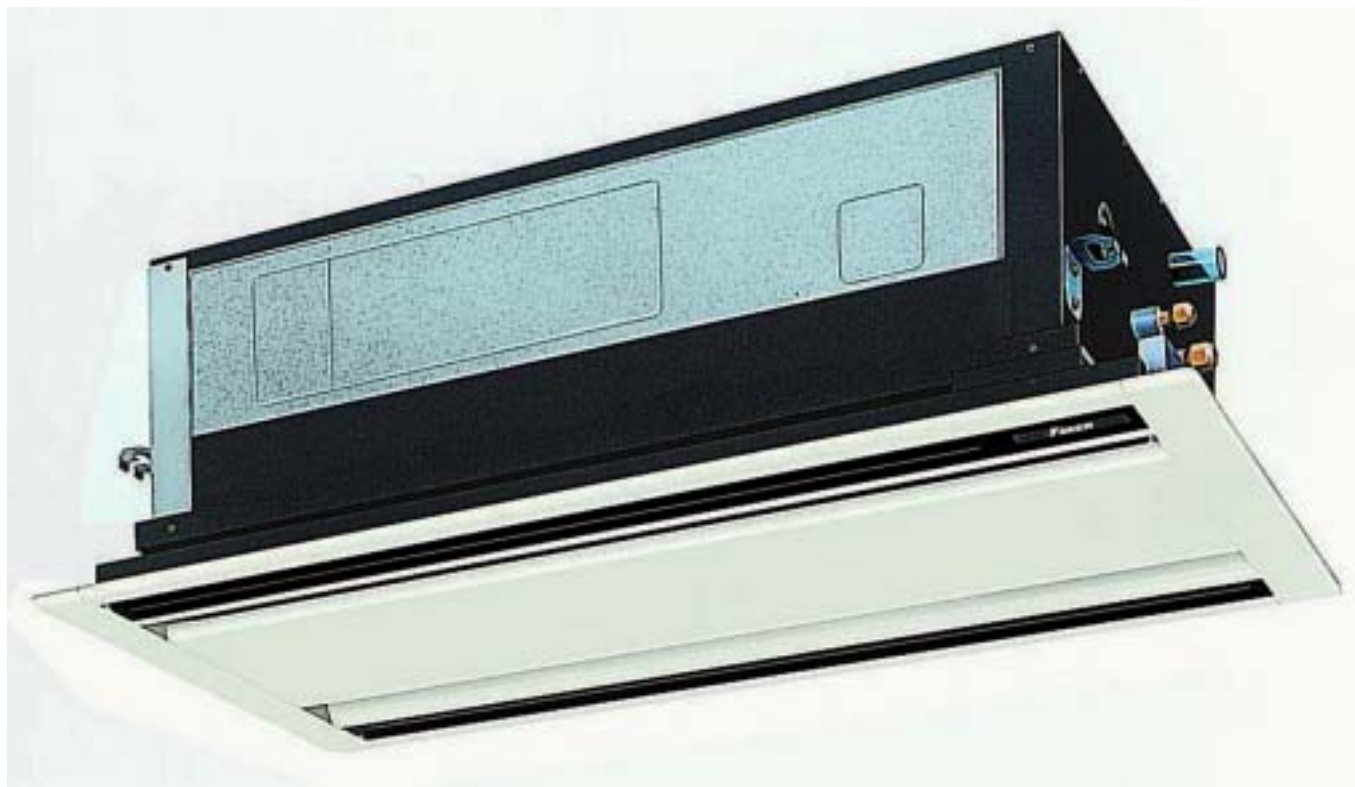
FXCQ-M8V3B

1	Features	2
2	Specifications	3
	Technical Specifications	3
	Electrical Specifications	7
3	Safety device settings	8
4	Options	9
5	Control systems	10
6	Capacity tables	11
	Cooling capacity tables	11
	Heating capacity tables	13
7	Dimensional drawing & centre of gravity	15
	Dimensional drawing	15
	Centre of gravity	18
8	Piping diagram	19
9	Wiring diagram	20
	Wiring diagram	20
10	Sound data	22
	Sound level data	22
	Sound pressure spectrum	23
11	Air flow pattern	25
12	Installation	26
	Drainage instructions	26

1 Features

- Compact & stylish
- Compact dimensions, can easily be mounted in a ceiling void of only 355mm
- Easy to install: depth of all units is 600mm
- Quiet operation: down to 28 dBA sound pressure level
- Long life filter fitted as standard
- Drain-up pump with 600mm lift fitted as standard
- Leaves maximum floor and wall space for furniture, decorations and fittings
- Auto-swing function ensures efficient air and temperature distribution and prevents ceiling soiling.
- Easy maintenance
- Maintenance operations can be performed by removing the front panel
- Easy to clean flat suction grille
- Detachable swing flaps

1



2 Specifications

2-1 TECHNICAL SPECIFICATIONS				FXCQ20M8V3B	FXCQ25M8V3B	FXCQ32M8V3B	FXCQ40M8V3B	FXCQ50M8V3B	
Nominal Capacity	Cooling	kW		2.20	2.80	3.60	4.50	5.60	
	Heating	kW		2.50	3.20	4.00	5.00	6.30	
Power input (Nominal)	Cooling	kW		0.077	0.092	0.092	0.130	0.130	
	Heating	kW		0.044	0.059	0.059	0.097	0.097	
Casing	Colour	Non painted							
	Material	Galvanised steel							
Dimensions	Packing	Height	mm	405	405	405	405	405	
		Width	mm	1060	1060	1060	1280	1280	
		Depth	mm	665	665	665	665	665	
	Unit	Height	mm	305	305	305	305	305	
		Width	mm	780	780	780	995	995	
		Depth	mm	600	600	600	600	600	
Weight	Unit	kg		26	26	26	31	32	
	Packed Unit	kg		30	30	30	37	38	
Required Ceiling Void		mm		350	350	350	350	350	
Heat Exchanger	Dimensions	Length	mm	475 x 2	475 x 2	475 x 2	690 x 2	475 x 2	
		Nr of Rows	2 x 2						
		Fin Pitch	mm	1.50	1.50	1.50	1.50	1.50	
		Nr of Passes	3 x 2						
		Face Area	m ²	0.1 x 2	0.1 x 2	0.1 x 2	0.145 x 2	0.145 x 2	
		Nr of Stages	10 x 2						
	Empty Tubeplate Hole	6							
	Tube type	Hi-XSS (7)							
Fin	Fin type	Symmetric waffle louvre							
	Treatment	Hydrophilic							
Fan	Type	Sirocco fan							
	Quantity			1	1	1	2	2	
Air Flow Rate	Cooling	High	m ³ /min	7.0	9.0	9.0	12.0	12.0	
		Low	m ³ /min	5.0	6.5	6.5	9.0	9.0	
	Heating	High	m ³ /min	7.0	9.0	9.0	12.0	12.0	
		Low	m ³ /min	5.0	6.5	6.5	9.0	9.0	
Fan	Motor	Quantity		1	1	1	1	1	
		Steps	Phase cut control						
		Output (high)	W	10	15	15	20	20	
		Drive	Direct drive						
Refrigerant	Name	R-410A							
Sound Level	Cooling	Sound power (nominal)	dBA	45.0	50.0	50.0	50.0	50.0	
Cooling	Sound Pressure	High	dBA	33.0	35.0	35.0	35.5	35.5	
		Low	dBA	28.0	29.0	29.0	30.5	30.5	
Heating	Sound Pressure	High	dBA	33.0	35.0	35.0	35.5	35.5	
		Low	dBA	28.0	29.0	29.0	30.5	30.5	
Piping connections	Liquid (OD)	Type	Flare connection						
		Diameter	mm	6.35	6.35	6.35	6.35	6.35	
	Gas	Type	Flare connection						
		Diameter	mm	12.7	12.7	12.7	12.7	12.7	
	Drain	Diameter	mm	32	32	32	32	32	
	Heat Insulation	Both liquid and gas pipes							
Decoration Panel	Model	BYBC32GJW1							
	Colour	White (10Y9/0,5)							
	Dimensions	Height	mm	53	53	53	53	53	
		Width	mm	1030	1030	1030	1245	1245	
		Depth	mm	680	680	680	680	680	
	Weight	kg		8.0	8.0	8.0	8.5	8.5	
Drain-up Height		mm		600	600	600	600	600	

2 Specifications

2

2-1 TECHNICAL SPECIFICATIONS		FXCQ20M8V3B	FXCQ25M8V3B	FXCQ32M8V3B	FXCQ40M8V3B	FXCQ50M8V3B
Air Filter		Resin net with mold resistance				
Air direction control		Up and downwards				
Refrigerant control		Electronic expansion valve				
Temperature control		Microprocessor thermostat for cooling and heating				
Safety devices		PC board fuse				
		Fan motor thermal fuse				
		Drain pump fuse				
Standard Accessories	Standard Accessories	Screws for fixing the paper pattern for installation				
	Quantity	4	4	4	4	4
	Standard Accessories	Washer for hanging bracket				
	Quantity	8	8	8	8	8
	Standard Accessories	Clamps				
	Quantity	1	1	1	1	1
	Standard Accessories	Installation and operation manual				
	Quantity	1	1	1	1	1
	Standard Accessories	Paper pattern for installation				
	Quantity	1	1	1	1	1
	Standard Accessories	Insulation for fitting				
	Quantity	2	2	2	2	2
	Standard Accessories	Drain hose				
Quantity	1	1	1	1	1	
Notes		Nominal cooling capacities are based on : indoor temperature : 27°CDB, 19°CWB, outdoor temperature : 35°CDB, equivalent refrigerant piping : 8m, level difference : 0m.				
		Nominal heating capacities are based on : indoor temperature : 20°CDB, outdoor temperature : 7°CDB, 6°CWB, equivalent refrigerant piping : 8m, level difference : 0m.				
		Capacities are net, including a deduction for cooling (an addition for heating) for indoor fan motor heat.				

2 Specifications

2-1 TECHNICAL SPECIFICATIONS				FXCQ63M8V3B	FXCQ80M8V3B	FXCQ125M8V3B	
Nominal Capacity	Cooling	kW		7.10	9.00	14.00	
	Heating	kW		8.00	10.00	16.00	
Power input (Nominal)	Cooling	kW		0.161	0.209	0.256	
	Heating	kW		0.126	0.176	0.223	
Casing	Colour	Non painted					
	Material	Galvanised steel					
Dimensions	Packing	Height	mm	405	405	405	
		Width	mm	1460	1808	1808	
		Depth	mm	665	645	645	
	Unit	Height	mm	305	305	305	
		Width	mm	1180	1670	1670	
		Depth	mm	600	600	600	
Weight	Unit	kg		35	47	48	
	Packed Unit	kg		42	55	56	
Required Ceiling Void		mm		350	350	350	
Heat Exchanger	Dimensions	Length	mm	875 x 2	1365	1365	
		Nr of Rows			2 x 2		
		Fin Pitch	mm		1.50	1.50	1.50
		Nr of Passes			6 x 2	5 x 2	6
		Face Area	m ²		0.184 x 2	0.287 x 2	0.287 x 2
		Nr of Stages				10 x 2	
	Empty Tubeplate Hole				8		
	Tube type	Hi-XSS (7)					
Fin	Fin type	Symmetric waffle louvre					
	Treatment	Hydrophilic					
Fan	Type	Sirocco fan					
	Quantity			2	3	3	
Air Flow Rate	Cooling	High	m ³ /min	16.5	26.0	33.0	
		Low	m ³ /min	13.0	21.0	25.0	
	Heating	High	m ³ /min	16.5	26.0	33.0	
		Low	m ³ /min	13.0	21.0	25.0	
Fan	Motor	Quantity		1	1	1	
		Steps	Phase cut control				
	Output (high)	W		30	50	85	
	Drive	Direct drive					
Refrigerant	Name	R-410A					
Sound Level	Cooling	Sound power (nominal)	dBA	52.0	54.0	60.0	
		Sound Pressure	High	dBA	38.0	40.0	45.0
Heating	Low		dBA	33.0	35.0	39.0	
	Sound Pressure	High	dBA	38.0	40.0	45.0	
Low		dBA	33.0	35.0	39.0		
Piping connections	Liquid (OD)	Type	Flare connection				
		Diameter	mm	9.5	9.5	9.5	
	Gas	Type	Flare connection				
		Diameter	mm	15.9	15.9	15.9	
	Drain	Diameter	mm	32	32	32	
Heat Insulation	Both liquid and gas pipes						
Decoration Panel	Model			BYBC63GJW1	BYBC125GJW1	BYBC125GJW1	
	Colour	White (10Y9/0,5)					
	Dimensions	Height	mm		53	53	53
		Width	mm		1430	1920	1920
		Depth	mm		680	680	680
	Weight	kg		9.5	12.0	12.0	
Drain-up Height		mm		600	600	600	

2 Specifications

2-1 TECHNICAL SPECIFICATIONS		FXCQ63M8V3B	FXCQ80M8V3B	FXCQ125M8V3B
Air Filter		Resin net with mold resistance		
Air direction control		Up and downwards		
Refrigerant control		Electronic expansion valve		
Temperature control		Microprocessor thermostat for cooling and heating		
Safety devices		PC board fuse		
		Fan motor thermal fuse	Fan motor thermal protector	Fan motor thermal protector
		Drain pump fuse		
Standard Accessories	Standard Accessories	Screws for fixing the paper pattern for installation		
	Quantity	4	4	4
	Standard Accessories	Washer for hanging bracket		
	Quantity	8	8	8
	Standard Accessories	Clamps		
	Quantity	1	1	1
	Standard Accessories	Installation and operation manual		
	Quantity	1	1	1
	Standard Accessories	Paper pattern for installation		
	Quantity	1	1	1
	Standard Accessories	Insulation for fitting		
	Quantity	2	2	2
	Standard Accessories	Drain hose		
Quantity	1	1	1	
Notes		Nominal cooling capacities are based on : indoor temperature : 27°CDB, 19°CWB, outdoor temperature : 35°CDB, equivalent refrigerant piping : 8m, level difference : 0m.		
		Nominal heating capacities are based on : indoor temperature : 20°CDB, outdoor temperature : 7°CDB, 6°CWB, equivalent refrigerant piping : 8m, level difference : 0m.		
		Capacities are net, including a deduction for cooling (an addition for heating) for indoor fan motor heat.		

2

2 Specifications

2-2 ELECTRICAL SPECIFICATIONS		FXCQ20M8V3B	FXCQ25M8V3B	FXCQ32M8V3B	FXCQ40M8V3B	FXCQ50M8V3B
Power Supply	Name	V3				
	Phase	1	1	1	1	1
	Frequency	Hz	50	50	50	50
	Voltage	V	230	230	230	230
Current	Minimum circuit amps (MCA)	A	0.50	0.50	0.50	0.80
	Maximum fuse amps (MFA)	A	16.00	16.00	16.00	16.00
	Full load amps (FLA)	A	0.40	0.40	0.40	0.60
Voltage range	Minimum	V	-10%			
	Maximum	V	+10%			
Power Supply Intake		Both indoor and outdoor unit				
Notes		Voltage range : units are suitable for use on electrical systems where voltage supplied to unit terminals is not below or above listed range limits.				
		Maximum allowable voltage range variation between phases is 2%.				
		MCA/MFA : MCA = 1.25 x FLA				
		MFA <= 4 x FLA				
		select wire size based on the MCA				
		instead of a fuse, use a circuit breaker				
		For more details concerning conditional connections, see http://www.daikineurope.com/extranet , select "Daikin Documentation" and select "conditional connection", "the requested product type" and "English" from the drop down lists, click the search button. Finally click on the document title of your choice				

2-2 ELECTRICAL SPECIFICATIONS		FXCQ63M8V3B	FXCQ80M8V3B	FXCQ125M8V3B
Power Supply	Name	V3		
	Phase	1	1	1
	Frequency	Hz	50	50
	Voltage	V	230	230
Current	Minimum circuit amps (MCA)	A	0.90	1.10
	Maximum fuse amps (MFA)	A	16.00	16.00
	Full load amps (FLA)	A	0.70	0.90
Voltage range	Minimum	V	-10%	
	Maximum	V	+10%	
Power Supply Intake		Both indoor and outdoor unit		
Notes		Voltage range : units are suitable for use on electrical systems where voltage supplied to unit terminals is not below or above listed range limits.		
		Maximum allowable voltage range variation between phases is 2%.		
		MCA/MFA : MCA = 1.25 x FLA		
		MFA <= 4 x FLA		
		select wire size based on the MCA		
		instead of a fuse, use a circuit breaker		
		For more details concerning conditional connections, see http://www.daikineurope.com/extranet , select "Daikin Documentation" and select "conditional connection", "the requested product type" and "English" from the drop down lists, click the search button. Finally click on the document title of your choice		

3 Safety device settings

3

		FXCQ20M8	FXCQ25M8	FXCQ32M8	FXCQ40M8	FXCQ50M8	FXCQ63M8	FXCQ80M8	FXCQ125M8	
PC BOARD FUSE		250V 5A								
FAN MOTOR THERMAL FUSE	°C	152 ^{±2}						-		
DRAIN PUMP FUSE	°C	164.5 ^{±2.5}								
FAN MOTOR THERMAL PROTECTOR		-						OFF: 135 ^{±8} (ON: 87 ^{±15})		
3TW25511-3										

4 Options

	FXCQ20M8	FXCQ25M8	FXCQ32M8	FXCQ40M8	FXCQ50M8	FXCQ63M8	FXCQ80M8	FXCQ125M8
DECORATION PANEL		BYBC32GJW1		BYBC50GJW1		BYBC63GJW1		BYBC125GJW1
HIGH EFFICIENCY FILTER 65% (1)		KAFJ532G36		KAFJ532G56		KAFJ532G80		KAFJ532G160
HIGH EFFICIENCY FILTER 90% (1)		KAFJ533G36		KAFJ533G56		KAFJ533G80		KAFJ533G160
FILTER CHAMBER FOR BOTTOM SUCTION		KDDFJ53G36		KDDFJ53G56		KDDFJ53G80		KDDFJ53G160
REPLACEMENT LONG LIFE FILTER		KAFJ531G36		KAFJ531G56		KAFJ531G80		KAFJ531G160

3TW25519-1C

NOTES

1 Filter chamber is required if installing a high efficiency filter

5 Control systems

5

Individual control systems

		FXCQ20M8	FXCQ25M8	FXCQ32M8	FXCQ40M8	FXCQ50M8	FXCQ63M8	FXCQ80M8	FXCQ125M8
WIRED REMOTE CONTROL		BRC1D52							
INFRARED REMOTE CONTROL	Heat pump	BRC7C62							
	Cooling only	BRC7C67							

Centralised control systems

		FXCQ20M8	FXCQ25M8	FXCQ32M8	FXCQ40M8	FXCQ50M8	FXCQ63M8	FXCQ80M8	FXCQ125M8
CENTRALISED REMOTE CONTROL		DCS302C51							
UNIFIED ON/OFF CONTROL		DCS301B51							
SCHEDULE TIMER		DST301B51							

Others

		FXCQ20M8	FXCQ25M8	FXCQ32M8	FXCQ40M8	FXCQ50M8	FXCQ63M8	FXCQ80M8	FXCQ125M8
WIRING ADAPTER (HOUR METER)		EKR1B2							
WIRING ADAPTER		KRP1B616 #							
WIRING ADAPTER FOR ELECTRICAL APPENDICES (1)		KRP2A516 #							
WIRING ADAPTER FOR ELECTRICAL APPENDICES (2)		KRP4A51 #							
REMOTE SENSOR		KRCS01-1							
INSTALLATION BOX FOR ADAPTER PCB		KRP1B96 (1)(2)							
ELECTRICAL BOX WITH EARTH TERMINAL (3 BLOCKS)		KJB311A							
ELECTRICAL BOX WITH EARTH TERMINAL (2 BLOCKS)		KJB212A							
NOISE FILTER (FOR ELECTROMAGNETIC INTERFACE USE ONLY)		KEK26-1							
EXTERNAL ADAPTER FOR OUTDOOR UNIT (INSTALLATION ON INDOOR UNIT)		DTA104A61 #							

3TW25519-1C

NOTES

- 1 Up to 2 adapters can be fixed for each installation box.
- 2 Only 1 installation box can be installed per indoor unit.
- 3 Installation box is necessary for each adapter marked with #.

6 Capacity tables

6 - 1 Cooling capacity tables

FXCQ-M8		TC: Total capacity; kW - SHC: Sensible capacity; kW															
Unit size	Nominal capacity	Outdoor air temp.	Indoor air temperature														
			14.0WB		16.0WB		18.0WB		19.0WB		20.0WB		22.0WB		24.0WB		
			20.0DB		23.0DB		26.0DB		27.0DB		28.0DB		30.0DB		32.0DB		
		°CDB	TC	SHC	TC	SHC	TC	SHC	TC	SHC	TC	SHC	TC	SHC	TC	SHC	
20	2.2	10.0	1.5	1.4	1.8	1.5	2.1	1.7	2.2	1.7	2.3	1.8	2.6	1.7	2.9	1.7	
		12.0	1.5	1.4	1.8	1.5	2.1	1.7	2.2	1.7	2.3	1.8	2.6	1.7	2.9	1.7	
		14.0	1.5	1.4	1.8	1.5	2.1	1.7	2.2	1.7	2.3	1.8	2.6	1.7	2.8	1.7	
		16.0	1.5	1.4	1.8	1.5	2.1	1.7	2.2	1.7	2.3	1.8	2.6	1.7	2.8	1.7	
		18.0	1.5	1.4	1.8	1.5	2.1	1.7	2.2	1.7	2.3	1.8	2.6	1.7	2.7	1.7	
		20.0	1.5	1.4	1.8	1.5	2.1	1.7	2.2	1.7	2.3	1.8	2.6	1.7	2.7	1.6	
		21.0	1.5	1.4	1.8	1.5	2.1	1.7	2.2	1.7	2.3	1.8	2.6	1.7	2.7	1.6	
		23.0	1.5	1.4	1.8	1.5	2.1	1.7	2.2	1.7	2.3	1.8	2.6	1.7	2.6	1.6	
		25.0	1.5	1.4	1.8	1.5	2.1	1.7	2.2	1.7	2.3	1.8	2.6	1.7	2.6	1.6	
		27.0	1.5	1.4	1.8	1.5	2.1	1.7	2.2	1.7	2.3	1.8	2.5	1.7	2.6	1.6	
		29.0	1.5	1.4	1.8	1.5	2.1	1.7	2.2	1.7	2.3	1.8	2.5	1.7	2.5	1.6	
		31.0	1.5	1.4	1.8	1.5	2.1	1.7	2.2	1.7	2.3	1.8	2.4	1.7	2.5	1.5	
		33.0	1.5	1.4	1.8	1.5	2.1	1.7	2.2	1.7	2.3	1.8	2.4	1.6	2.5	1.5	
		35.0	1.5	1.4	1.8	1.5	2.1	1.7	2.2	1.7	2.3	1.7	2.4	1.6	2.4	1.5	
		37.0	1.5	1.4	1.8	1.5	2.1	1.7	2.2	1.7	2.3	1.7	2.3	1.6	2.4	1.5	
		39.0	1.5	1.4	1.8	1.5	2.1	1.7	2.2	1.7	2.2	1.7	2.3	1.6	2.3	1.5	
25	2.8	10.0	1.9	1.7	2.3	1.9	2.6	2.1	2.8	2.2	3.0	2.2	3.4	2.2	3.7	2.2	
		12.0	1.9	1.7	2.3	1.9	2.6	2.1	2.8	2.2	3.0	2.2	3.4	2.2	3.6	2.2	
		14.0	1.9	1.7	2.3	1.9	2.6	2.1	2.8	2.2	3.0	2.2	3.4	2.2	3.6	2.2	
		16.0	1.9	1.7	2.3	1.9	2.6	2.1	2.8	2.2	3.0	2.2	3.4	2.2	3.5	2.2	
		18.0	1.9	1.7	2.3	1.9	2.6	2.1	2.8	2.2	3.0	2.2	3.4	2.2	3.5	2.1	
		20.0	1.9	1.7	2.3	1.9	2.6	2.1	2.8	2.2	3.0	2.2	3.4	2.2	3.4	2.1	
		21.0	1.9	1.7	2.3	1.9	2.6	2.1	2.8	2.2	3.0	2.2	3.4	2.2	3.4	2.1	
		23.0	1.9	1.7	2.3	1.9	2.6	2.1	2.8	2.2	3.0	2.2	3.3	2.2	3.4	2.1	
		25.0	1.9	1.7	2.3	1.9	2.6	2.1	2.8	2.2	3.0	2.2	3.3	2.2	3.3	2.1	
		27.0	1.9	1.7	2.3	1.9	2.6	2.1	2.8	2.2	3.0	2.2	3.2	2.2	3.3	2.0	
		29.0	1.9	1.7	2.3	1.9	2.6	2.1	2.8	2.2	3.0	2.2	3.2	2.1	3.2	2.0	
		31.0	1.9	1.7	2.3	1.9	2.6	2.1	2.8	2.2	3.0	2.2	3.1	2.1	3.2	2.0	
		33.0	1.9	1.7	2.3	1.9	2.6	2.1	2.8	2.2	3.0	2.2	3.1	2.1	3.1	2.0	
		35.0	1.9	1.7	2.3	1.9	2.6	2.1	2.8	2.2	3.0	2.2	3.0	2.1	3.1	1.9	
		37.0	1.9	1.7	2.3	1.9	2.6	2.1	2.8	2.2	2.9	2.2	3.0	2.0	3.0	1.9	
		39.0	1.9	1.7	2.3	1.9	2.6	2.1	2.8	2.2	2.9	2.2	2.9	2.0	3.0	1.9	
32	3.6	10.0	2.4	2.1	2.9	2.3	3.4	2.5	3.6	2.6	3.8	2.6	4.3	2.7	4.7	2.7	
		12.0	2.4	2.1	2.9	2.3	3.4	2.5	3.6	2.6	3.8	2.6	4.3	2.7	4.7	2.7	
		14.0	2.4	2.1	2.9	2.3	3.4	2.5	3.6	2.6	3.8	2.6	4.3	2.7	4.6	2.7	
		16.0	2.4	2.1	2.9	2.3	3.4	2.5	3.6	2.6	3.8	2.6	4.3	2.7	4.6	2.6	
		18.0	2.4	2.1	2.9	2.3	3.4	2.5	3.6	2.6	3.8	2.6	4.3	2.7	4.5	2.6	
		20.0	2.4	2.1	2.9	2.3	3.4	2.5	3.6	2.6	3.8	2.6	4.3	2.7	4.4	2.5	
		21.0	2.4	2.1	2.9	2.3	3.4	2.5	3.6	2.6	3.8	2.6	4.3	2.7	4.4	2.5	
		23.0	2.4	2.1	2.9	2.3	3.4	2.5	3.6	2.6	3.8	2.6	4.2	2.6	4.3	2.5	
		25.0	2.4	2.1	2.9	2.3	3.4	2.5	3.6	2.6	3.8	2.6	4.2	2.6	4.3	2.5	
		27.0	2.4	2.1	2.9	2.3	3.4	2.5	3.6	2.6	3.8	2.6	4.1	2.6	4.2	2.4	
		29.0	2.4	2.1	2.9	2.3	3.4	2.5	3.6	2.6	3.8	2.6	4.1	2.5	4.2	2.4	
		31.0	2.4	2.1	2.9	2.3	3.4	2.5	3.6	2.6	3.8	2.6	4.0	2.5	4.1	2.4	
		33.0	2.4	2.1	2.9	2.3	3.4	2.5	3.6	2.6	3.8	2.6	3.9	2.5	4.0	2.4	
		35.0	2.4	2.1	2.9	2.3	3.4	2.5	3.6	2.6	3.8	2.6	3.9	2.5	4.0	2.4	
		37.0	2.4	2.1	2.9	2.3	3.4	2.5	3.6	2.6	3.7	2.6	3.8	2.5	3.9	2.3	
		39.0	2.4	2.1	2.9	2.3	3.4	2.5	3.6	2.6	3.7	2.6	3.8	2.4	3.8	2.3	
40	4.5	10.0	3.0	2.5	3.6	2.8	4.2	3.1	4.5	3.2	4.8	3.3	5.4	3.3	5.9	3.3	
		12.0	3.0	2.5	3.6	2.8	4.2	3.1	4.5	3.2	4.8	3.3	5.4	3.3	5.8	3.3	
		14.0	3.0	2.5	3.6	2.8	4.2	3.1	4.5	3.2	4.8	3.3	5.4	3.3	5.8	3.2	
		16.0	3.0	2.5	3.6	2.8	4.2	3.1	4.5	3.2	4.8	3.3	5.4	3.3	5.7	3.2	
		18.0	3.0	2.5	3.6	2.8	4.2	3.1	4.5	3.2	4.8	3.3	5.4	3.3	5.6	3.2	
		20.0	3.0	2.5	3.6	2.8	4.2	3.1	4.5	3.2	4.8	3.3	5.4	3.3	5.5	3.1	
		21.0	3.0	2.5	3.6	2.8	4.2	3.1	4.5	3.2	4.8	3.3	5.4	3.3	5.5	3.1	
		23.0	3.0	2.5	3.6	2.8	4.2	3.1	4.5	3.2	4.8	3.3	5.3	3.3	5.4	3.1	
		25.0	3.0	2.5	3.6	2.8	4.2	3.1	4.5	3.2	4.8	3.3	5.2	3.3	5.3	3.1	
		27.0	3.0	2.5	3.6	2.8	4.2	3.1	4.5	3.2	4.8	3.3	5.2	3.2	5.3	3.0	
		29.0	3.0	2.5	3.6	2.8	4.2	3.1	4.5	3.2	4.8	3.3	5.1	3.2	5.2	3.0	
		31.0	3.0	2.5	3.6	2.8	4.2	3.1	4.5	3.2	4.8	3.3	5.0	3.1	5.1	2.9	
		33.0	3.0	2.5	3.6	2.8	4.2	3.1	4.5	3.2	4.8	3.3	4.9	3.1	5.0	2.9	
		35.0	3.0	2.5	3.6	2.8	4.2	3.1	4.5	3.2	4.7	3.3	4.9	3.1	5.0	2.9	
		37.0	3.0	2.5	3.6	2.8	4.2	3.1	4.5	3.2	4.7	3.2	4.8	3.0	4.9	2.8	
		39.0	3.0	2.5	3.6	2.8	4.2	3.1	4.5	3.2	4.6	3.2	4.7	3.0	4.8	2.8	

3TW25512-1

6 Capacity tables

6 - 1 Cooling capacity tables

6

FXCQ-M8		TC: Total capacity,kW – SHC: Sensible capacity,kW															
Unit size	Nominal capacity	Outdoor air temp.	Indoor air temperature														
			14.OWB		16.OWB		18.OWB		19.OWB		20.OWB		22.OWB		24.OWB		
			20.ODB		23.ODB		26.ODB		27.ODB		28.ODB		30.ODB		32.ODB		
		°CDB	TC	SHC	TC	SHC	TC	SHC	TC	SHC	TC	SHC	TC	SHC	TC	SHC	
50	5.6	10.0	3.8	3.1	4.5	3.4	5.2	3.8	5.6	3.9	6.0	4.0	6.7	4.1	7.4	4.0	
		12.0	3.8	3.1	4.5	3.4	5.2	3.8	5.6	3.9	6.0	4.0	6.7	4.1	7.3	4.0	
		14.0	3.8	3.1	4.5	3.4	5.2	3.8	5.6	3.9	6.0	4.0	6.7	4.1	7.2	4.0	
		16.0	3.8	3.1	4.5	3.4	5.2	3.8	5.6	3.9	6.0	4.0	6.7	4.1	7.1	3.9	
		18.0	3.8	3.1	4.5	3.4	5.2	3.8	5.6	3.9	6.0	4.0	6.7	4.1	7.0	3.9	
		20.0	3.8	3.1	4.5	3.4	5.2	3.8	5.6	3.9	6.0	4.0	6.7	4.1	6.9	3.8	
		21.0	3.8	3.1	4.5	3.4	5.2	3.8	5.6	3.9	6.0	4.0	6.7	4.1	6.8	3.8	
		23.0	3.8	3.1	4.5	3.4	5.2	3.8	5.6	3.9	6.0	4.0	6.6	4.0	6.7	3.8	
		25.0	3.8	3.1	4.5	3.4	5.2	3.8	5.6	3.9	6.0	4.0	6.5	4.0	6.6	3.7	
		27.0	3.8	3.1	4.5	3.4	5.2	3.8	5.6	3.9	6.0	4.0	6.4	3.9	6.6	3.7	
		29.0	3.8	3.1	4.5	3.4	5.2	3.8	5.6	3.9	6.0	4.0	6.3	3.9	6.5	3.6	
		31.0	3.8	3.1	4.5	3.4	5.2	3.8	5.6	3.9	6.0	4.0	6.2	3.8	6.4	3.6	
		33.0	3.8	3.1	4.5	3.4	5.2	3.8	5.6	3.9	6.0	4.0	6.1	3.8	6.3	3.6	
		35.0	3.8	3.1	4.5	3.4	5.2	3.8	5.6	3.9	5.9	4.0	6.0	3.8	6.2	3.5	
		37.0	3.8	3.1	4.5	3.4	5.2	3.8	5.6	3.9	5.8	3.9	5.9	3.7	6.1	3.5	
		39.0	3.8	3.1	4.5	3.4	5.2	3.8	5.6	3.9	5.7	3.9	5.8	3.7	6.0	3.4	
63	7.1	10.0	4.8	3.8	5.7	4.2	6.6	4.7	7.1	4.9	7.6	4.9	8.5	5.0	9.3	5.0	
		12.0	4.8	3.8	5.7	4.2	6.6	4.7	7.1	4.9	7.6	4.9	8.5	5.0	9.2	5.0	
		14.0	4.8	3.8	5.7	4.2	6.6	4.7	7.1	4.9	7.6	4.9	8.5	5.0	9.1	4.9	
		16.0	4.8	3.8	5.7	4.2	6.6	4.7	7.1	4.9	7.6	4.9	8.5	5.0	9.0	4.9	
		18.0	4.8	3.8	5.7	4.2	6.6	4.7	7.1	4.9	7.6	4.9	8.5	5.0	8.8	4.8	
		20.0	4.8	3.8	5.7	4.2	6.6	4.7	7.1	4.9	7.6	4.9	8.5	5.0	8.7	4.7	
		21.0	4.8	3.8	5.7	4.2	6.6	4.7	7.1	4.9	7.6	4.9	8.5	5.0	8.7	4.7	
		23.0	4.8	3.8	5.7	4.2	6.6	4.7	7.1	4.9	7.6	4.9	8.4	4.9	8.5	4.6	
		25.0	4.8	3.8	5.7	4.2	6.6	4.7	7.1	4.9	7.6	4.9	8.3	4.9	8.4	4.6	
		27.0	4.8	3.8	5.7	4.2	6.6	4.7	7.1	4.9	7.6	4.9	8.1	4.8	8.3	4.5	
		29.0	4.8	3.8	5.7	4.2	6.6	4.7	7.1	4.9	7.6	4.9	8.0	4.7	8.2	4.5	
		31.0	4.8	3.8	5.7	4.2	6.6	4.7	7.1	4.9	7.6	4.9	7.9	4.7	8.1	4.4	
		33.0	4.8	3.8	5.7	4.2	6.6	4.7	7.1	4.9	7.6	4.9	7.8	4.6	7.9	4.4	
		35.0	4.8	3.8	5.7	4.2	6.6	4.7	7.1	4.9	7.5	4.8	7.7	4.6	7.8	4.4	
		37.0	4.8	3.8	5.7	4.2	6.6	4.7	7.1	4.9	7.4	4.8	7.5	4.5	7.7	4.3	
		39.0	4.8	3.8	5.7	4.2	6.6	4.7	7.1	4.9	7.2	4.7	7.4	4.5	7.6	4.3	
80	9.0	10.0	6.1	5.2	7.2	5.7	8.4	6.2	9.0	6.3	9.6	6.5	10.8	6.8	11.8	6.7	
		12.0	6.1	5.2	7.2	5.7	8.4	6.2	9.0	6.3	9.6	6.5	10.8	6.8	11.7	6.6	
		14.0	6.1	5.2	7.2	5.7	8.4	6.2	9.0	6.3	9.6	6.5	10.8	6.8	11.5	6.6	
		16.0	6.1	5.2	7.2	5.7	8.4	6.2	9.0	6.3	9.6	6.5	10.8	6.8	11.4	6.5	
		18.0	6.1	5.2	7.2	5.7	8.4	6.2	9.0	6.3	9.6	6.5	10.8	6.8	11.2	6.4	
		20.0	6.1	5.2	7.2	5.7	8.4	6.2	9.0	6.3	9.6	6.5	10.8	6.8	11.1	6.3	
		21.0	6.1	5.2	7.2	5.7	8.4	6.2	9.0	6.3	9.6	6.5	10.8	6.8	11.0	6.3	
		23.0	6.1	5.2	7.2	5.7	8.4	6.2	9.0	6.3	9.6	6.5	10.6	6.7	10.8	6.3	
		25.0	6.1	5.2	7.2	5.7	8.4	6.2	9.0	6.3	9.6	6.5	10.5	6.6	10.7	6.2	
		27.0	6.1	5.2	7.2	5.7	8.4	6.2	9.0	6.3	9.6	6.5	10.3	6.6	10.5	6.1	
		29.0	6.1	5.2	7.2	5.7	8.4	6.2	9.0	6.3	9.6	6.5	10.2	6.5	10.4	6.0	
		31.0	6.1	5.2	7.2	5.7	8.4	6.2	9.0	6.3	9.6	6.5	10.0	6.4	10.2	6.0	
		33.0	6.1	5.2	7.2	5.7	8.4	6.2	9.0	6.3	9.6	6.5	9.8	6.3	10.1	5.9	
		35.0	6.1	5.2	7.2	5.7	8.4	6.2	9.0	6.3	9.5	6.4	9.7	6.3	9.9	5.8	
		37.0	6.1	5.2	7.2	5.7	8.4	6.2	9.0	6.3	9.3	6.4	9.5	6.2	9.8	5.7	
		39.0	6.1	5.2	7.2	5.7	8.4	6.2	9.0	6.3	9.2	6.3	9.4	6.1	9.6	5.7	
125	14.0	10.0	9.5	7.8	11.3	8.6	13.1	9.5	14.0	9.7	14.9	9.9	16.8	10.2	18.4	10.3	
		12.0	9.5	7.8	11.3	8.6	13.1	9.5	14.0	9.7	14.9	9.9	16.8	10.2	18.2	10.2	
		14.0	9.5	7.8	11.3	8.6	13.1	9.5	14.0	9.7	14.9	9.9	16.8	10.2	18.0	10.1	
		16.0	9.5	7.8	11.3	8.6	13.1	9.5	14.0	9.7	14.9	9.9	16.8	10.2	17.7	9.9	
		18.0	9.5	7.8	11.3	8.6	13.1	9.5	14.0	9.7	14.9	9.9	16.8	10.2	17.5	9.8	
		20.0	9.5	7.8	11.3	8.6	13.1	9.5	14.0	9.7	14.9	9.9	16.8	10.2	17.2	9.7	
		21.0	9.5	7.8	11.3	8.6	13.1	9.5	14.0	9.7	14.9	9.9	16.8	10.2	17.1	9.6	
		23.0	9.5	7.8	11.3	8.6	13.1	9.5	14.0	9.7	14.9	9.9	16.5	10.1	16.9	9.5	
		25.0	9.5	7.8	11.3	8.6	13.1	9.5	14.0	9.7	14.9	9.9	16.3	10.0	16.6	9.4	
		27.0	9.5	7.8	11.3	8.6	13.1	9.5	14.0	9.7	14.9	9.9	16.1	9.8	16.4	9.3	
		29.0	9.5	7.8	11.3	8.6	13.1	9.5	14.0	9.7	14.9	9.9	15.8	9.7	16.2	9.3	
		31.0	9.5	7.8	11.3	8.6	13.1	9.5	14.0	9.7	14.9	9.9	15.6	9.6	15.9	9.2	
		33.0	9.5	7.8	11.3	8.6	13.1	9.5	14.0	9.7	14.9	9.9	15.3	9.5	15.7	9.1	
		35.0	9.5	7.8	11.3	8.6	13.1	9.5	14.0	9.7	14.8	9.9	15.1	9.4	15.4	9.0	
		37.0	9.5	7.8	11.3	8.6	13.1	9.5	14.0	9.7	14.5	9.7	14.9	9.3	15.2	8.9	
		39.0	9.5	7.8	11.3	8.6	13.1	9.5	14.0	9.8	14.3	9.6	14.6	9.2	15.0	8.8	

3TW25512-1

6 Capacity tables

6 - 2 Heating capacity tables

FXCQ-M8									
Unit Size	Nominal capacity	Outdoor air temperature		Indoor air temperature °CDB					
				16.0	18.0	20.0	21.0	22.0	24.0
		°CDB	°CWB	kW	kW	kW	kW	kW	kW
20	2.5	-19.8	-20.0	1.5	1.5	1.5	1.5	1.5	1.5
		-18.8	-19.0	1.5	1.5	1.5	1.5	1.5	1.5
		-16.7	-17.0	1.6	1.6	1.6	1.6	1.6	1.6
		-14.7	-15.0	1.7	1.7	1.7	1.7	1.7	1.7
		-12.6	-13.0	1.8	1.8	1.8	1.8	1.8	1.8
		-10.5	-11.0	1.9	1.9	1.9	1.9	1.9	1.9
		-9.5	-10.0	1.9	1.9	1.9	1.9	1.9	1.9
		-8.5	-9.1	2.0	2.0	1.9	1.9	1.9	1.9
		-7.0	-7.6	2.0	2.0	2.0	2.0	2.0	2.0
		-5.0	-5.6	2.1	2.1	2.1	2.1	2.1	2.1
		-3.0	-3.7	2.2	2.2	2.2	2.2	2.2	2.2
		0.0	-0.7	2.3	2.3	2.3	2.3	2.3	2.2
		3.0	2.2	2.5	2.5	2.4	2.4	2.3	2.2
		5.0	4.1	2.5	2.5	2.5	2.4	2.3	2.2
		7.0	6.0	2.6	2.6	2.5	2.4	2.3	2.2
9.0	7.9	2.7	2.7	2.5	2.4	2.3	2.2		
11.0	9.8	2.8	2.7	2.5	2.4	2.3	2.2		
13.0	11.8	2.8	2.7	2.5	2.4	2.3	2.2		
15.0	13.7	2.8	2.7	2.5	2.4	2.3	2.2		
25	3.2	-19.8	-20.0	1.9	1.9	1.9	1.9	1.9	1.9
		-18.8	-19.0	1.9	1.9	1.9	1.9	1.9	1.9
		-16.7	-17.0	2.1	2.1	2.0	2.0	2.0	2.0
		-14.7	-15.0	2.2	2.2	2.2	2.2	2.2	2.1
		-12.6	-13.0	2.3	2.3	2.3	2.3	2.3	2.3
		-10.5	-11.0	2.4	2.4	2.4	2.4	2.4	2.4
		-9.5	-10.0	2.5	2.4	2.4	2.4	2.4	2.4
		-8.5	-9.1	2.5	2.5	2.5	2.5	2.5	2.5
		-7.0	-7.6	2.6	2.6	2.6	2.6	2.6	2.6
		-5.0	-5.6	2.7	2.7	2.7	2.7	2.7	2.7
		-3.0	-3.7	2.8	2.8	2.8	2.8	2.8	2.8
		0.0	-0.7	3.0	3.0	3.0	3.0	3.0	2.8
		3.0	2.2	3.1	3.1	3.1	3.1	3.0	2.8
		5.0	4.1	3.3	3.2	3.2	3.1	3.0	2.8
		7.0	6.0	3.4	3.4	3.2	3.1	3.0	2.8
9.0	7.9	3.5	3.4	3.2	3.1	3.0	2.8		
11.0	9.8	3.6	3.4	3.2	3.1	3.0	2.8		
13.0	11.8	3.6	3.4	3.2	3.1	3.0	2.8		
15.0	13.7	3.6	3.4	3.2	3.1	3.0	2.8		
32	4.0	-19.8	-20.0	2.4	2.4	2.3	2.3	2.3	2.3
		-18.8	-19.0	2.4	2.4	2.4	2.4	2.4	2.4
		-16.7	-17.0	2.6	2.6	2.6	2.6	2.6	2.5
		-14.7	-15.0	2.7	2.7	2.7	2.7	2.7	2.7
		-12.6	-13.0	2.9	2.8	2.8	2.8	2.8	2.8
		-10.5	-11.0	3.0	3.0	3.0	3.0	3.0	3.0
		-9.5	-10.0	3.1	3.1	3.1	3.1	3.0	3.0
		-8.5	-9.1	3.1	3.1	3.1	3.1	3.1	3.1
		-7.0	-7.6	3.2	3.2	3.2	3.2	3.2	3.2
		-5.0	-5.6	3.4	3.4	3.4	3.4	3.4	3.4
		-3.0	-3.7	3.5	3.5	3.5	3.5	3.5	3.5
		0.0	-0.7	3.7	3.7	3.7	3.7	3.7	3.5
		3.0	2.2	3.9	3.9	3.9	3.9	3.7	3.5
		5.0	4.1	4.1	4.1	4.0	3.9	3.7	3.5
		7.0	6.0	4.2	4.2	4.0	3.9	3.7	3.5
9.0	7.9	4.3	4.3	4.0	3.9	3.7	3.5		
11.0	9.8	4.5	4.3	4.0	3.9	3.7	3.5		
13.0	11.8	4.5	4.3	4.0	3.9	3.7	3.5		
15.0	13.7	4.5	4.3	4.0	3.9	3.7	3.5		
40	5.0	-19.8	-20.0	3.0	2.9	2.9	2.9	2.9	2.9
		-18.8	-19.0	3.0	3.0	3.0	3.0	3.0	3.0
		-16.7	-17.0	3.2	3.2	3.2	3.2	3.2	3.2
		-14.7	-15.0	3.4	3.4	3.4	3.4	3.4	3.4
		-12.6	-13.0	3.6	3.6	3.6	3.5	3.5	3.5
		-10.5	-11.0	3.7	3.7	3.7	3.7	3.7	3.7
		-9.5	-10.0	3.8	3.8	3.8	3.8	3.8	3.8
		-8.5	-9.1	3.9	3.9	3.9	3.9	3.9	3.9
		-7.0	-7.6	4.0	4.0	4.0	4.0	4.0	4.0
		-5.0	-5.6	4.2	4.2	4.2	4.2	4.2	4.2
		-3.0	-3.7	4.4	4.4	4.4	4.4	4.4	4.4
		0.0	-0.7	4.7	4.6	4.6	4.6	4.6	4.4
		3.0	2.2	4.9	4.9	4.9	4.8	4.7	4.4
		5.0	4.1	5.1	5.1	5.0	4.8	4.7	4.4
		7.0	6.0	5.2	5.2	5.0	4.8	4.7	4.4
9.0	7.9	5.4	5.3	5.0	4.8	4.7	4.4		
11.0	9.8	5.6	5.3	5.0	4.8	4.7	4.4		
13.0	11.8	5.6	5.3	5.0	4.8	4.7	4.4		
15.0	13.7	5.6	5.3	5.0	4.8	4.7	4.4		

3TW21172-2

6 Capacity tables

6 - 2 Heating capacity tables

6

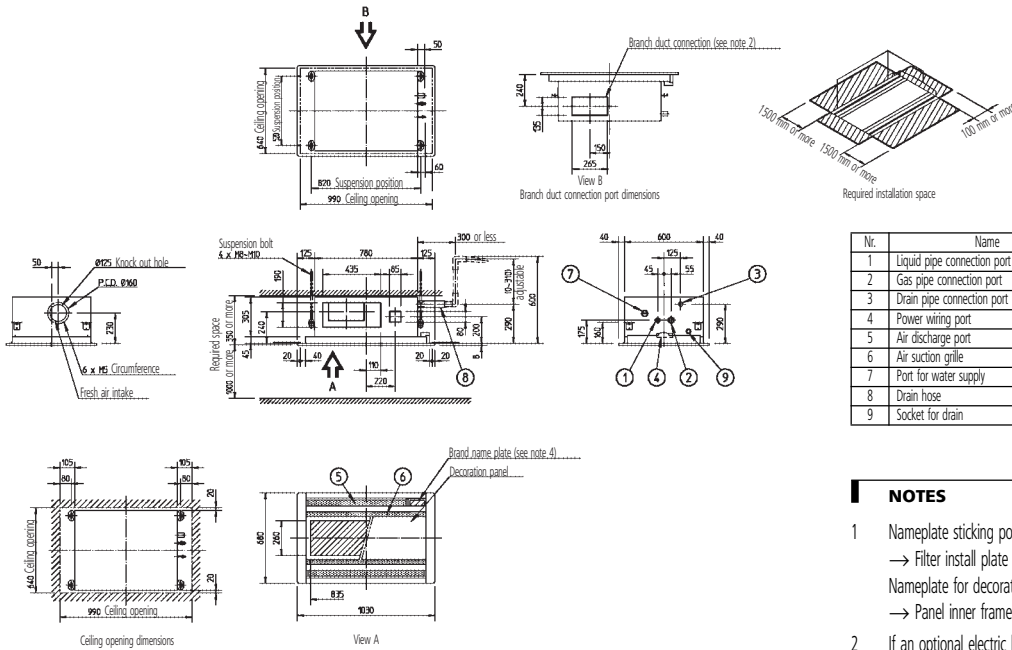
FXCQ-M8									
Unit Size	Nominal capacity	Outdoor air temperature		Indoor air temperature °CDB					
				16.0	18.0	20.0	21.0	22.0	24.0
		°CDB	°CWB	kW	kW	kW	kW	kW	kW
50	6.3	-19.8	-20.0	3.7	3.7	3.7	3.7	3.7	3.7
		-18.8	-19.0	3.8	3.8	3.8	3.8	3.8	3.8
		-16.7	-17.0	4.1	4.0	4.0	4.0	4.0	4.0
		-14.7	-15.0	4.3	4.3	4.3	4.2	4.2	4.2
		-12.6	-13.0	4.5	4.5	4.5	4.5	4.5	4.5
		-10.5	-11.0	4.7	4.7	4.7	4.7	4.7	4.7
		-9.5	-10.0	4.8	4.8	4.8	4.8	4.8	4.8
		-8.5	-9.1	4.9	4.9	4.9	4.9	4.9	4.9
		-7.0	-7.6	5.1	5.1	5.1	5.1	5.1	5.1
		-5.0	-5.6	5.3	5.3	5.3	5.3	5.3	5.3
		-3.0	-3.7	5.5	5.5	5.5	5.5	5.5	5.5
		0.0	-0.7	5.9	5.9	5.8	5.8	5.8	5.5
		3.0	2.2	6.2	6.2	6.2	6.1	5.9	5.5
		5.0	4.1	6.4	6.4	6.3	6.1	5.9	5.5
		7.0	6.0	6.6	6.6	6.3	6.1	5.9	5.5
		9.0	7.9	6.8	6.7	6.3	6.1	5.9	5.5
11.0	9.8	7.0	6.7	6.3	6.1	5.9	5.5		
13.0	11.8	7.1	6.7	6.3	6.1	5.9	5.5		
15.0	13.7	7.1	6.7	6.3	6.1	5.9	5.5		
63	8.0	-19.8	-20.0	4.7	4.7	4.7	4.7	4.7	4.7
		-18.8	-19.0	4.9	4.9	4.8	4.8	4.8	4.8
		-16.7	-17.0	5.1	5.1	5.1	5.1	5.1	5.1
		-14.7	-15.0	5.4	5.4	5.4	5.4	5.4	5.4
		-12.6	-13.0	5.7	5.7	5.7	5.7	5.7	5.7
		-10.5	-11.0	6.0	6.0	6.0	6.0	6.0	5.9
		-9.5	-10.0	6.1	6.1	6.1	6.1	6.1	6.1
		-8.5	-9.1	6.3	6.3	6.2	6.2	6.2	6.2
		-7.0	-7.6	6.5	6.5	6.4	6.4	6.4	6.4
		-5.0	-5.6	6.8	6.7	6.7	6.7	6.7	6.7
		-3.0	-3.7	7.0	7.0	7.0	7.0	7.0	7.0
		0.0	-0.7	7.5	7.4	7.4	7.4	7.4	7.0
		3.0	2.2	7.9	7.8	7.8	7.7	7.5	7.0
		5.0	4.1	8.1	8.1	8.0	7.7	7.5	7.0
		7.0	6.0	8.4	8.4	8.0	7.7	7.5	7.0
		9.0	7.9	8.7	8.5	8.0	7.7	7.5	7.0
11.0	9.8	8.9	8.5	8.0	7.7	7.5	7.0		
13.0	11.8	9.0	8.5	8.0	7.7	7.5	7.0		
15.0	13.7	9.0	8.5	8.0	7.7	7.5	7.0		
80	10.0	-19.8	-20.0	5.9	5.9	5.9	5.9	5.9	5.8
		-18.8	-19.0	6.1	6.1	6.0	6.0	6.0	6.0
		-16.7	-17.0	6.4	6.4	6.4	6.4	6.4	6.4
		-14.7	-15.0	6.8	6.8	6.8	6.7	6.7	6.7
		-12.6	-13.0	7.1	7.1	7.1	7.1	7.1	7.1
		-10.5	-11.0	7.5	7.5	7.5	7.5	7.4	7.4
		-9.5	-10.0	7.7	7.7	7.6	7.6	7.6	7.6
		-8.5	-9.1	7.8	7.8	7.8	7.8	7.8	7.8
		-7.0	-7.6	8.1	8.1	8.1	8.1	8.0	8.0
		-5.0	-5.6	8.4	8.4	8.4	8.4	8.4	8.4
		-3.0	-3.7	8.8	8.8	8.7	8.7	8.7	8.7
		0.0	-0.7	9.3	9.3	9.3	9.3	9.3	8.7
		3.0	2.2	9.8	9.8	9.8	9.7	9.4	8.7
		5.0	4.1	10.2	10.1	10.0	9.7	9.4	8.7
		7.0	6.0	10.5	10.5	10.0	9.7	9.4	8.7
		9.0	7.9	10.8	10.6	10.0	9.7	9.4	8.7
11.0	9.8	11.2	10.6	10.0	9.7	9.4	8.7		
13.0	11.8	11.3	10.6	10.0	9.7	9.4	8.7		
15.0	13.7	11.3	10.6	10.0	9.7	9.4	8.7		
125	16.0	-19.8	-20.0	9.4	9.4	9.4	9.4	9.4	9.3
		-18.8	-19.0	9.7	9.7	9.7	9.7	9.6	9.6
		-16.7	-17.0	10.3	10.3	10.2	10.2	10.2	10.2
		-14.7	-15.0	10.9	10.8	10.8	10.8	10.8	10.7
		-12.6	-13.0	11.4	11.4	11.4	11.4	11.3	11.3
		-10.5	-11.0	12.0	12.0	11.9	11.9	11.9	11.9
		-9.5	-10.0	12.3	12.2	12.2	12.2	12.2	12.2
		-8.5	-9.1	12.5	12.5	12.5	12.5	12.4	12.4
		-7.0	-7.6	13.0	12.9	12.9	12.9	12.9	12.8
		-5.0	-5.6	13.5	13.5	13.5	13.4	13.4	13.4
		-3.0	-3.7	14.1	14.0	14.0	14.0	14.0	13.9
		0.0	-0.7	14.9	14.9	14.8	14.8	14.8	13.9
		3.0	2.2	15.7	15.7	15.7	15.5	15.0	13.9
		5.0	4.1	16.3	16.2	16.0	15.5	15.0	13.9
		7.0	6.0	16.8	16.8	16.0	15.5	15.0	13.9
		9.0	7.9	17.3	17.0	16.0	15.5	15.0	13.9
11.0	9.8	17.9	17.0	16.0	15.5	15.0	13.9		
13.0	11.8	18.1	17.0	16.0	15.5	15.0	13.9		
15.0	13.7	18.1	17.0	16.0	15.5	15.0	13.9		

3TW21172-2

7 Dimensional drawing & centre of gravity

7 - 1 Dimensional drawing

FXCQ20,25,32M8



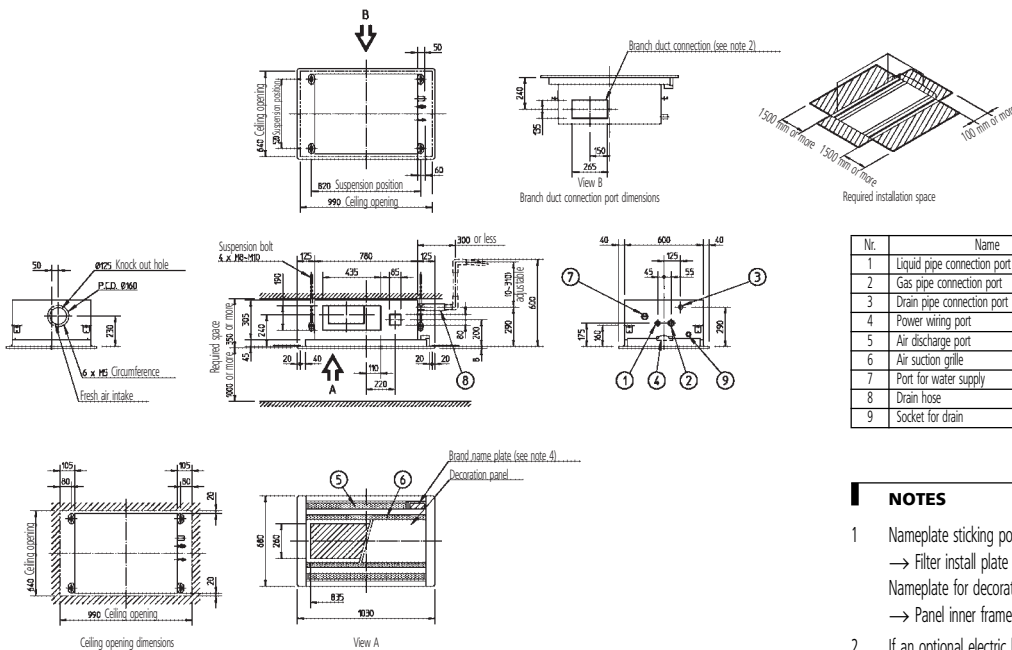
Nr.	Name	Description
1	Liquid pipe connection port	ø6.4 flare connection
2	Gas pipe connection port	ø12.7 flare connection
3	Drain pipe connection port	VP25 (O.D. ø32, I.D. ø25)
4	Power wiring port	
5	Air discharge port	
6	Air suction grille	VP25 (O.D. ø32, I.D. ø25)
7	Port for water supply	
8	Drain hose	O.D. ø32
9	Socket for drain	

NOTES

- Nameplate sticking position, Nameplate for cassette body
 → Filter install plate at the inside of the suction grille
 Nameplate for decoration panel
 → Panel inner frame at the inside of the suction grille
- If an optional electric heater is installed, a branch duct cannot be connected for safety reasons.
- When installing an optional accessory, refer to installation drawings.
- In case of using an infrared remote control, this position will be a signal receiver. Refer to the drawing of the infrared remote control for details.

3TW25514-1

FXCQ40,50M8



Nr.	Name	Description
1	Liquid pipe connection port	ø6.4 flare connection
2	Gas pipe connection port	ø12.7 flare connection
3	Drain pipe connection port	VP25 (O.D. ø32, I.D. ø25)
4	Power wiring port	
5	Air discharge port	
6	Air suction grille	VP25 (O.D. ø32, I.D. ø25)
7	Port for water supply	
8	Drain hose	O.D. ø32
9	Socket for drain	

NOTES

- Nameplate sticking position, Nameplate for cassette body
 → Filter install plate at the inside of the suction grille
 Nameplate for decoration panel
 → Panel inner frame at the inside of the suction grille
- If an optional electric heater is installed, a branch duct cannot be connected for safety reasons.
- When installing an optional accessory, refer to installation drawings.
- In case of using an infrared remote control, this position will be a signal receiver. Refer to the drawing of the infrared remote control for details.

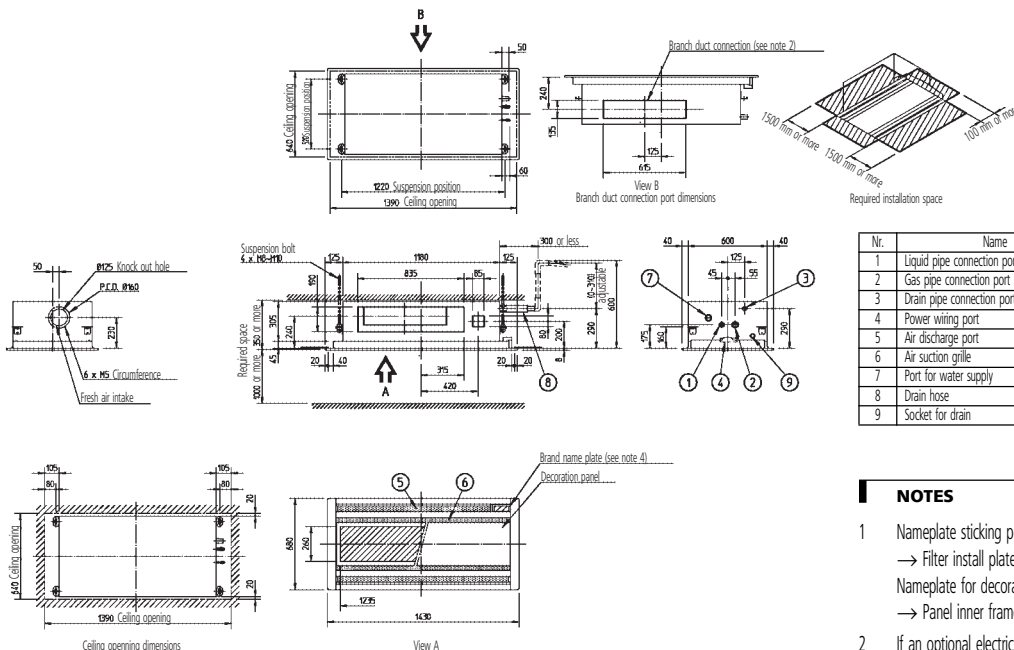
3TW25544-1

7 Dimensional drawing & centre of gravity

7 - 1 Dimensional drawing

7

FXCQ63M8



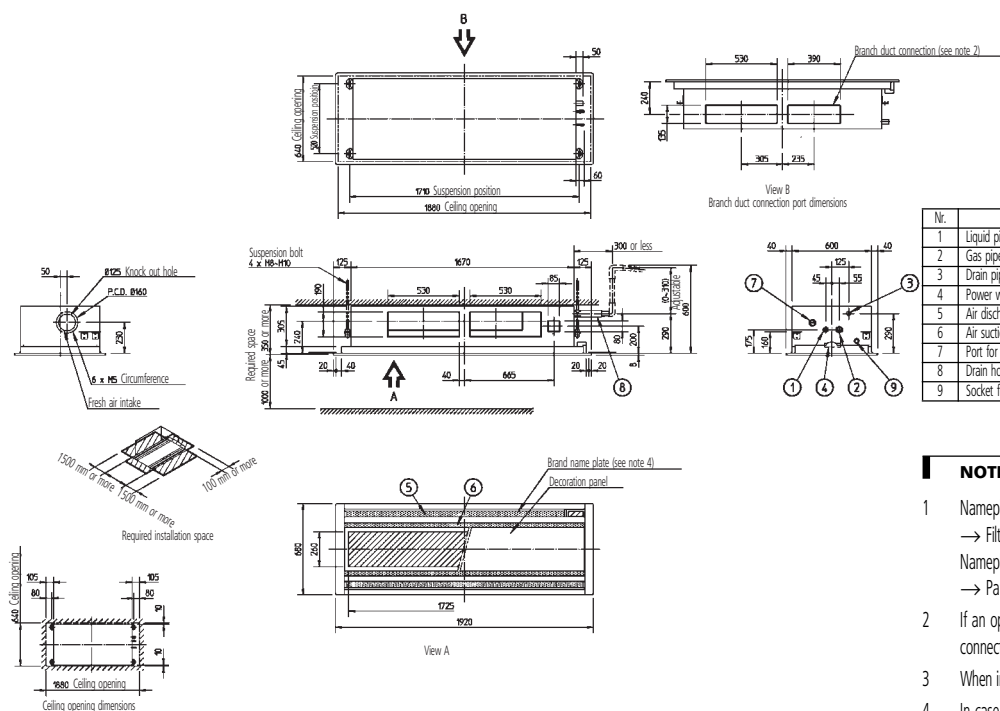
Nr.	Name	Description
1	Liquid pipe connection port	ø9.5 flare connection
2	Gas pipe connection port	ø15.9 flare connection
3	Drain pipe connection port	VP25 (O.D. ø32, I.D. ø25)
4	Power wiring port	
5	Air discharge port	
6	Air suction grille	VP25 (O.D. ø32, I.D. ø25)
7	Port for water supply	
8	Drain hose	O.D. ø32
9	Socket for drain	

NOTES

- Nameplate sticking position, Nameplate for cassette body
 → Filter install plate at the inside of the suction grille
 Nameplate for decoration panel
 → Panel inner frame at the inside of the suction grille
- If an optional electric heater is installed, a branch duct cannot be connected for safety reasons.
- When installing an optional accessory, refer to installation drawings.
- In case of using an infrared remote control, this position will be a signal receiver. Refer to the drawing of the infrared remote control for details.

3TW25564-1

FXCQ80M8



Nr.	Name	Description
1	Liquid pipe connection port	ø9.5 flare connection
2	Gas pipe connection port	ø15.9 flare connection
3	Drain pipe connection port	VP25 (O.D. ø32, I.D. ø25)
4	Power wiring port	
5	Air discharge port	
6	Air suction grille	VP25 (O.D. ø32, I.D. ø25)
7	Port for water supply	
8	Drain hose	O.D. ø32
9	Socket for drain	

NOTES

- Nameplate sticking position, Nameplate for cassette body
 → Filter install plate at the inside of the suction grille
 Nameplate for decoration panel
 → Panel inner frame at the inside of the suction grille
- If an optional electric heater is installed, a branch duct cannot be connected for safety reasons.
- When installing an optional accessory, refer to installation drawings.
- In case of using an infrared remote control, this position will be a signal receiver. Refer to the drawing of the infrared remote control for details.

3TW25574-1

7 Dimensional drawing & centre of gravity

7 - 1 Dimensional drawing

FXCQ125M8

Table 1: Connection Ports

Nr.	Name	Description
1	Liquid pipe connection port	ø9.5 flare connection
2	Gas pipe connection port	ø15.9 flare connection
3	Drain pipe connection port	VP25 (O.D. ø32, I.D. ø25)
4	Power wiring port	
5	Air discharge port	
6	Air suction grille	VP25 (O.D. ø32, I.D. ø25)
7	Port for water supply	
8	Drain hose	O.D. ø32
9	Socket for drain	

NOTES

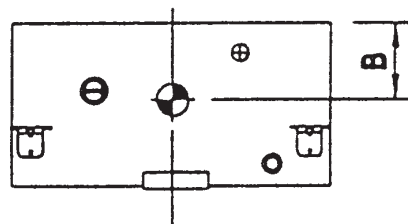
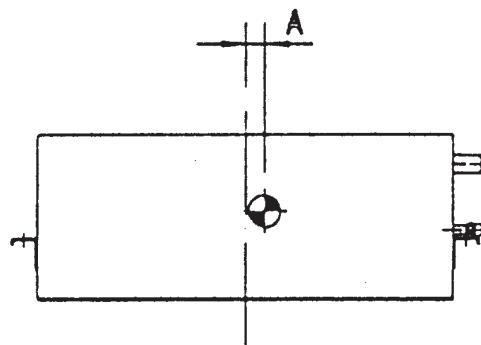
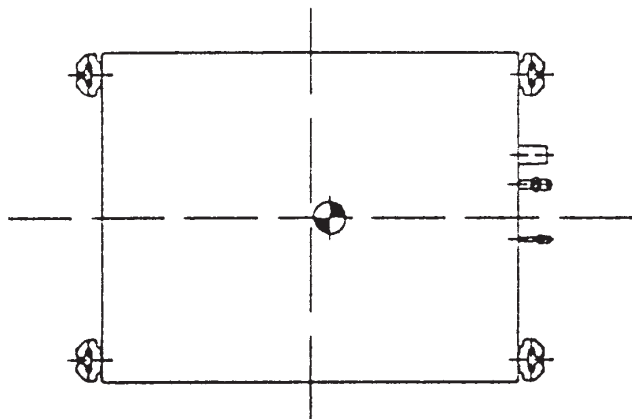
- Nameplate sticking position, Nameplate for cassette body
 → Filter install plate at the inside of the suction grille
 Nameplate for decoration panel
 → Panel inner frame at the inside of the suction grille
- If an optional electric heater is installed, a branch duct cannot be connected for safety reasons.
- When installing an optional accessory, refer to installation drawings.
- In case of using an infrared remote control, this position will be a signal receiver. Refer to the drawing of the infrared remote control for details.

3TW25584-1

7 Dimensional drawing & centre of gravity

7 - 2 Centre of gravity

FXCQ-M8

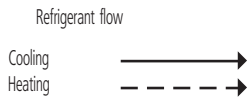
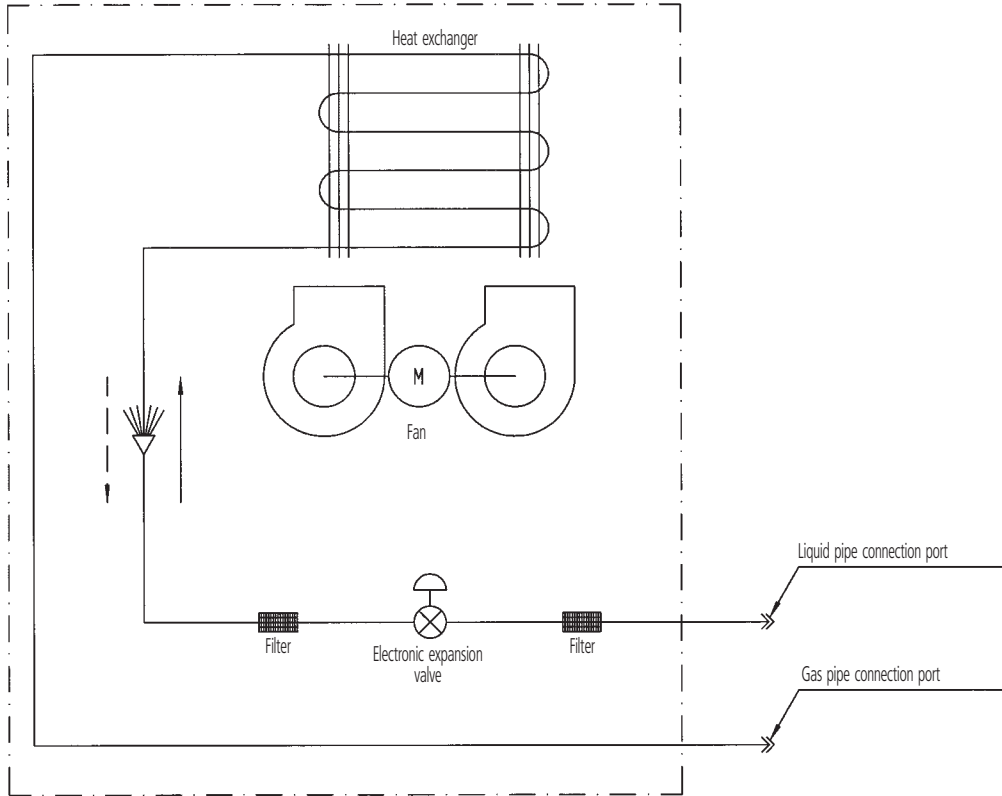


Model	A	B
FXCQ20, 25, 32M8	20	140
FXCQ40, 50M8	25	
FXCQ63M8	30	
FXCQ80, 125M8	35	150

4TW25519-2

8 Piping diagram

FXCQ-M8



Piping connection diameter

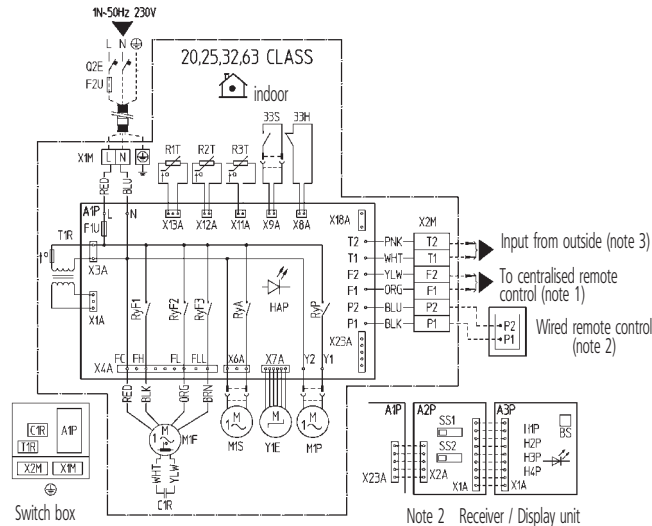
Model	Gas	Liquid
FXCQ20,25,32,40,50M8	ø12.7	ø6.4
FXCQ63,80,125M8	ø15.9	ø9.5

3TW25515-1

9 Wiring diagram

9 - 1 Wiring diagram

FXCQ20,25,32,63M8



33H	Float switch	R2T, R3T	Thermistor (coil)	BS	On/off button	
33S	Limit switch (swing flap)	Q2E	Earth leak detector	H1P	Light emitting diode (on-red)	
A1P	Printed circuit board	RyA	Magnetic relay (M1S)	H2P	Light emitting diode (timer-green)	
CTR	Capacitor (M1F)	RyF1-3	Magnetic relay (M1F)	H3P	Light emitting diode (filter sign-red)	
F1T	Thermal fuse (152°C) (M1F embedded)	RyP	Magnetic relay (M1P)	H4P	Light emitting diode (defrost-orange)	
F1U	Fuse (250V, 5A)	T1R	Transformer (220-240V/22V)	SS1	Selector switch (main/sub)	
F2U	Field fuse	X1M	Terminal strip (power)	SS2	Selector switch (infrared address set)	
HAP	Light emitting diode (service monitor-green)	X2M	Terminal strip (control)	Connector for optional parts		
M1F	Motor (indoor fan)	Y1E	Electronic expansion valve	X18A	Connector (wiring adapter for electrical appendices)	
M1S	Motor (swing flap)	Receiver/display unit			X23A	Connector (infrared remote control)
M1P	Motor (drain pump)	(attached to infrared remote control)				
R1T	Thermistor (air)	A2P, A3P	Printed circuit board			

----- : Field wiring
 □ □ □ □ : Terminal
 □ □ □ □ : Connector
 ○ : Wire clamp

COLORS : BLK : Black PNK : Pink
 BLU : Blue RED : Red
 BRN : Brown WHT : White
 ORG : Orange YLW : Yellow
 GRY : Gray

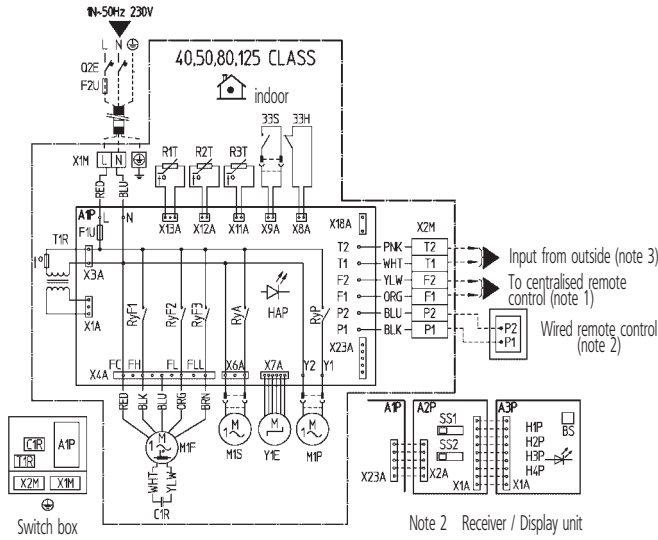
NOTES

- When using a centralised remote control, see manual for connection to the unit.
- X23A is connected when the infrared remote control kit is used.
- When connecting the input wires from the outdoor unit, "forced off" or "on/off" operation can be selected by the remote control. For more details see installation manual.
- Use copper conductors only.

9 Wiring diagram

9 - 1 Wiring diagram

FXCQ40,50,80,125M8



33H	Float switch	R2T, R3T	Thermistor (coil)	BS	On/off button
33S	Limit switch (swing flap)	Q2E	Earth leak detector	H1P	Light emitting diode (on-red)
A1P	Printed circuit board	RyA	Magnetic relay (M1S)	H2P	Light emitting diode (timer-green)
C1R	Capacitor (M1F)	RyF1-3	Magnetic relay (M1F)	H3P	Light emitting diode (filter sign-red)
F1T	Thermal fuse (152°C) (M1F embedded)	RyP	Magnetic relay (M1P)	H4P	Light emitting diode (defrost-orange)
F2U	Fuse (250V, 5A)	T1R	Transformer (220-240V/22V)	SS1	Selector switch (main/sub)
HAP	Light emitting diode (service monitor-green)	X1M	Terminal strip (power)	SS2	Selector switch (infrared address set)
M1F	Motor (indoor fan)	X2M	Terminal strip (control)	Connector for optional parts	
M1S	Motor (swing flap)	Y1E	Electronic expansion valve	X18A	Connector (wiring, adapter for electrical appendices)
M1P	Motor (drain pump)	Receiver/display unit (attached to infrared remote control)		X23A	Connector (infrared remote control)
R1T	Thermistor (air)	A2P, A3P	Printed circuit board		

----- : Field wiring
 □□□□ : Terminal
 ○—○ : Connector
 ○— : Wire clamp

COLORS : BLK : Black PNK : Pink
 BLU : Blue RED : Red
 BRN : Brown WHT : White
 ORG : Orange YLW : Yellow
 GRY : Gray

NOTES

- When using a centralised remote control, see manual for connection to the unit.
- X23A is connected when the infrared remote control kit is used.
- When connecting the input wires from the outdoor unit, 'forced off' or 'on/off' operation can be selected by the remote control. For more details see installation manual.
- Use copper conductors only.

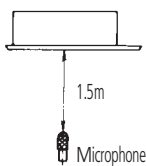
2TW23806-1B

10 Sound data

10 - 1 Sound level data

10

FXCQ-M8

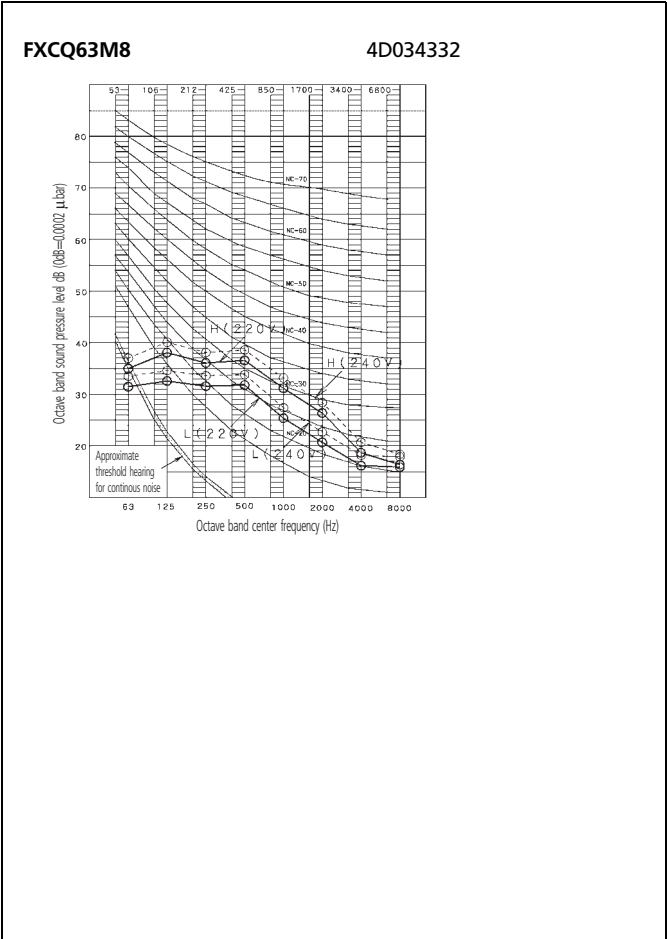
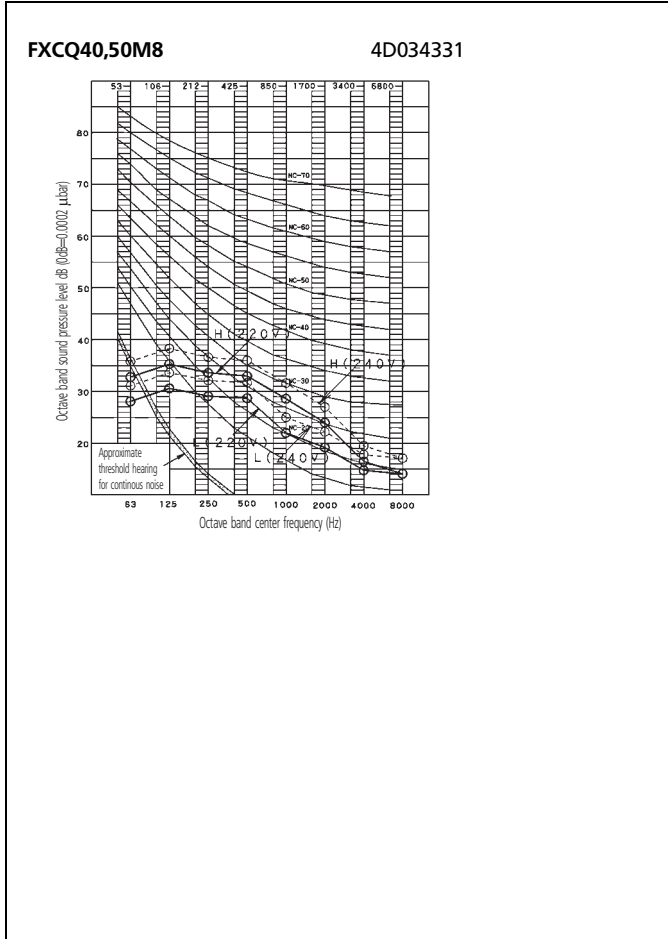
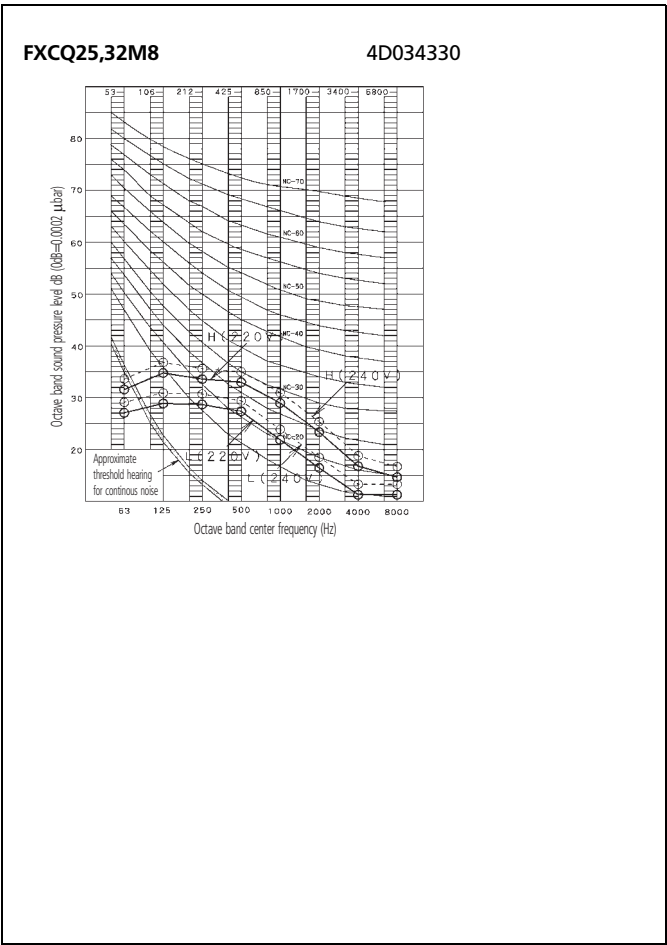
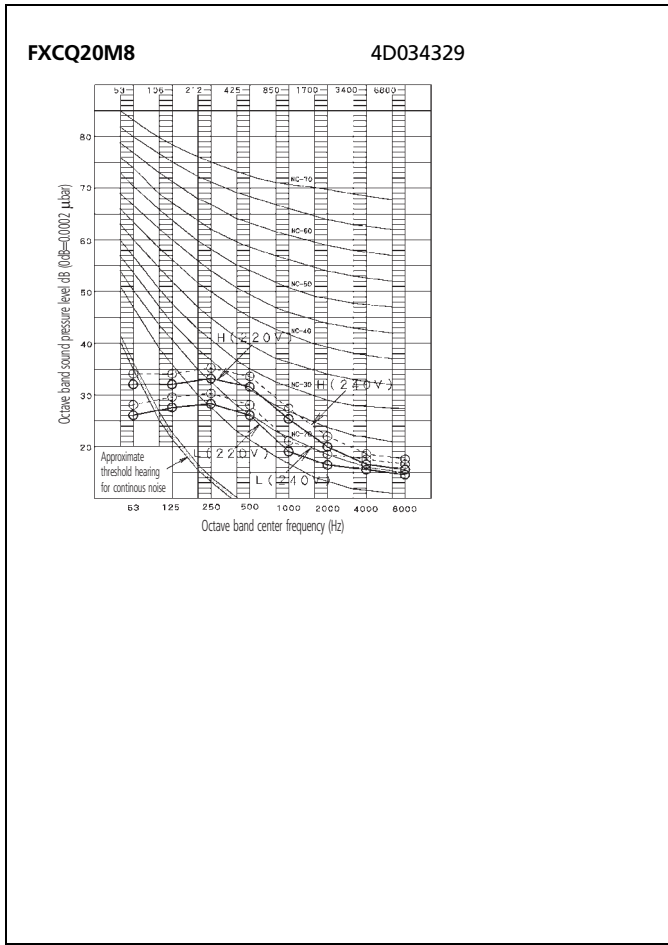
Model	Sound pressure level - 230V		Measuring location	Sound power level
	H	L		
FXCQ20M8	33	28		45
FXCQ25M8	35	29		50
FXCQ32M8	35	29		50
FXCQ40M8	35.5	30.5		50
FXCQ50M8	35.5	30.5		50
FXCQ63M8	38	33		52
FXCQ80M8	40	35		54
FXCQ125M8	45	39		60

NOTES

- 1 dBA = A-weighted sound pressure level (A-scale according to IEC).
- 2 Reference acoustic pressure 0 dB = 20 Pa.
- 3 These operating values were obtained in a dead room (conversion values). Noise values will vary depending on a range of factors such as the construction of the particular room in which the equipment is installed.
- 4 Operating noise differs with operation and ambient conditions.

10 Sound data

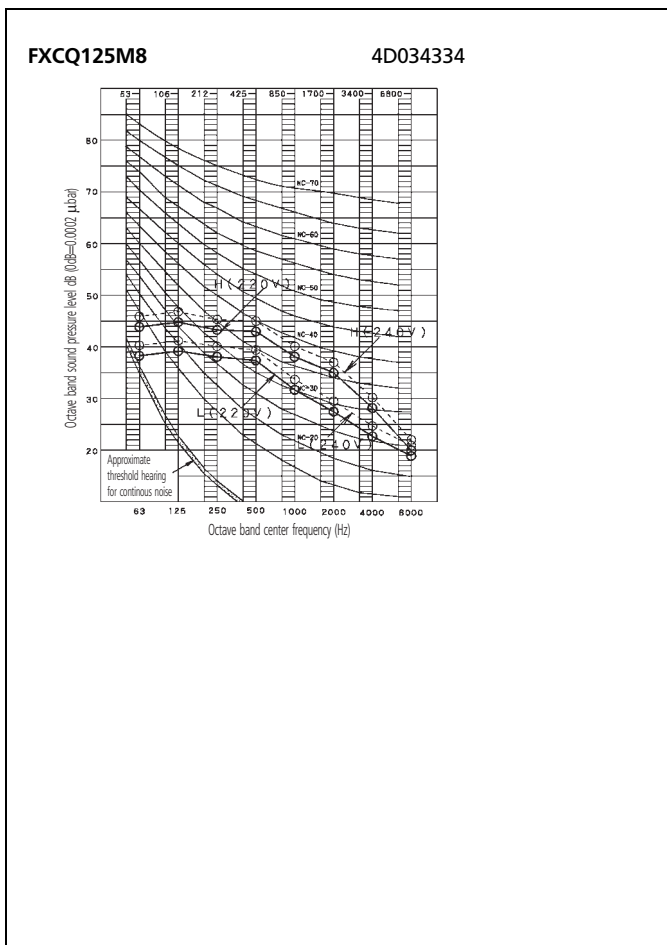
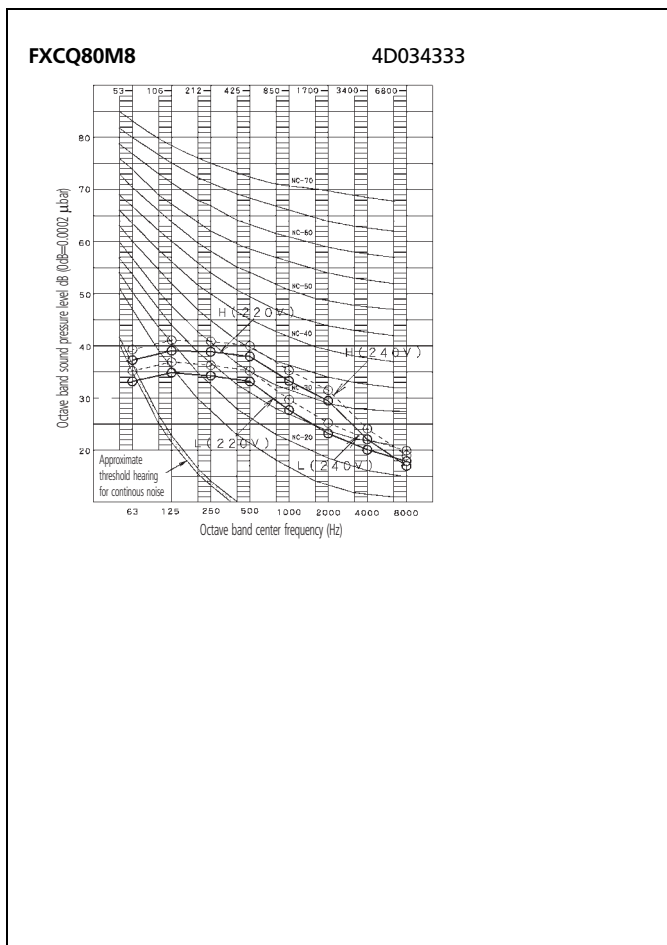
10 - 2 Sound pressure spectrum



10 Sound data

10 - 2 Sound pressure spectrum

10

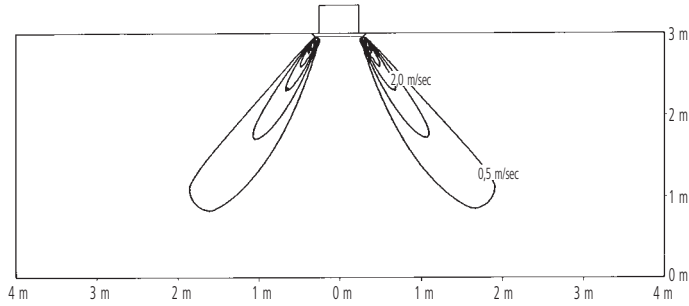


11 Air flow pattern

FXCQ63M8

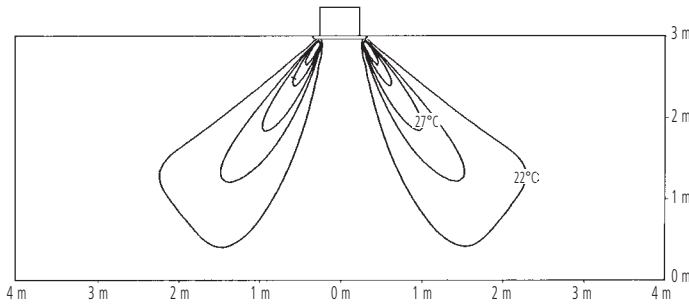
Heating air velocity distribution

Discharge angle: 60°



Heating temperature distribution

Discharge angle: 60°



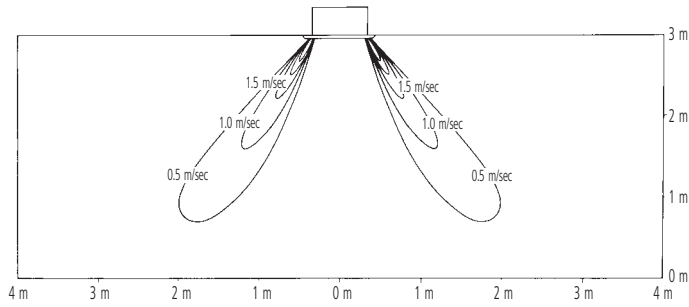
NOTES

- 1 The standard set-up height of the 2-way blow type is 3 m maximum. Shown here is the measurement distribution at a ceiling height of 3 m.

FXCQ125M8

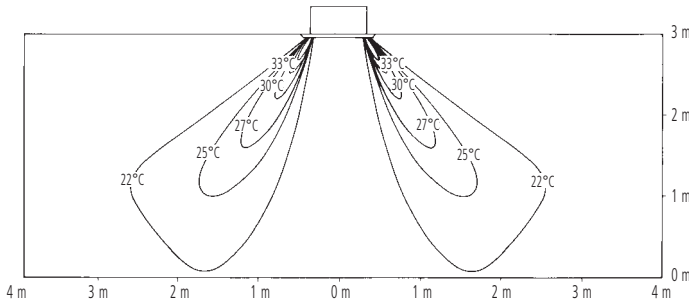
Heating air velocity distribution

Discharge angle: 60°



Heating temperature distribution

Discharge angle: 60°



NOTES

- 1 The standard set-up height of the 2-way blow type is 3 m maximum. Shown here is the measurement distribution at a ceiling height of 3 m.

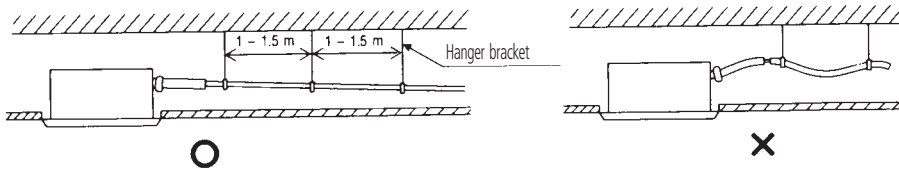
12 Installation

12 - 1 Drainage instructions

12

Rig drain piping

- The diameter of the drain pipe should be greater than or equal to the diameter of the connecting pipe (vinyl tube; pipe size: 25 mm; outer dimension: 32 mm).
- Keep the drain pipe short and sloping downwards at a gradient of at least 1/100 to prevent the formation of air pockets.
- If the drain hose cannot be sufficiently set on a slope, execute the drain raising piping.
- To keep the drain hose from sagging, space hanging wires every 1 to 1.5 m.

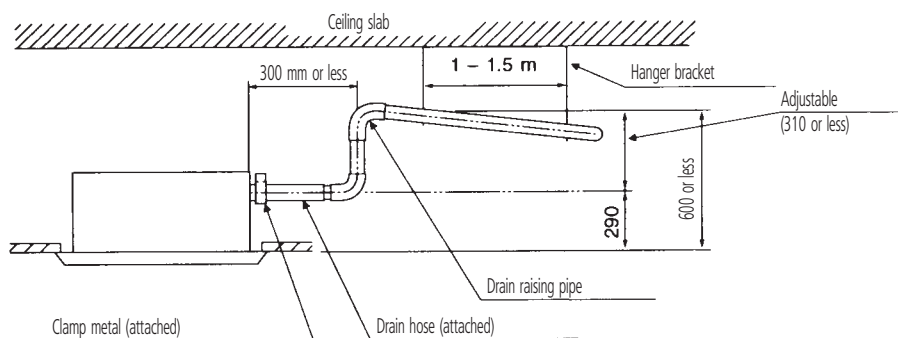


- Use the attached drain hose and clamp metal. Insert the drain hose into the drain socket, up to the white tape. Tighten the clamp until the screw head is less than 4 mm from the hose.
- Wrap the attached sealing pad over the clamp and drain hose to insulate.
- Insulate the drain hose inside the building.

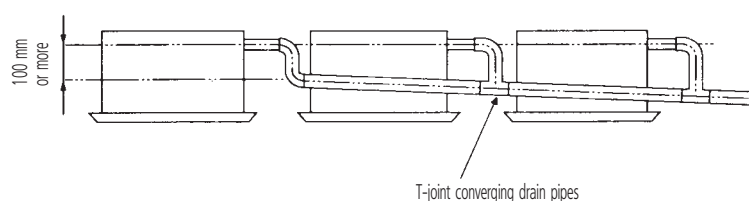


precautions for drain raising piping

- Install the drain raising pipes at a height of less than 310 mm.
- Install the drain raising pipes at a right angle to the indoor unit and no more than 300 mm from the unit.



- If converging multiple drain pipes, install according to the procedure shown below.



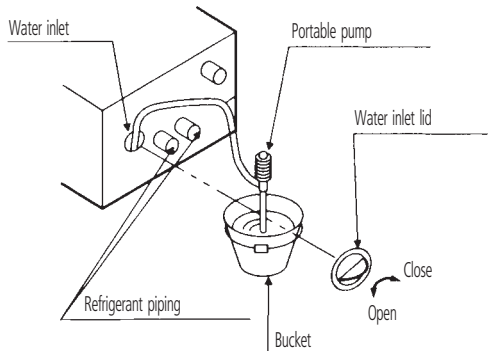
- Select converging drain pipes whose gauge is suitable for the operating capacity of the unit.

12 Installation

12 - 1 Drainage instructions

After piping work is finished, check if drainage flows smoothly

- Open the water inlet lid, add approximately 2500 cc of water gradually and check drainage flow.

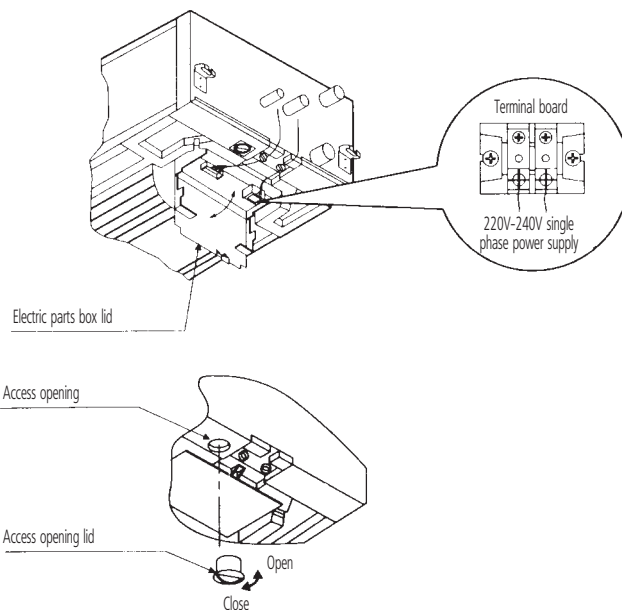


When electric wiring work is finished

- Check drainage flow during COOL running, explained under "TEST OPERATION".

When electric wiring work is not finished

- Remove the electric parts box lid, connect power supply and remote control to the terminals. (Refer to the installation manual)
- Next, press the inspection/test operation button "TEST" on the remote control. The unit will engage the test operation mode. Press the operation mode selector button "FAN" until selection FAN operation "FAN". Then, press the ON/OFF button "ON/OFF". The indoor unit fan and drain pump will start up. Check that the water has drained from the unit. Press "TEST" to go back to the first mode.
- You can check whether drainage is satisfactory or not by removing the access opening lid and checking the water level of the drain pan through the access opening.
- Be careful when doing so because the fan is turning at the same time.



12 Installation

12 - 1 Drainage instructions

2

VRV III-S
VRV III
VRV II
VRV-WII

"The present publication is drawn up by way of information only and does not constitute an offer binding upon Daikin Europe N.V. Daikin Europe N.V. has compiled the content of this publication to the best of its knowledge. No express or implied warranty is given for the completeness, accuracy, reliability or fitness for particular purpose of its content and the products and services presented therein. Specifications are subject to change without prior notice. Daikin Europe N.V. explicitly rejects any liability for any direct or indirect damage, in the broadest sense, arising from or related to the use and/or interpretation of this publication. All content is copyrighted by Daikin Europe N.V."



ISO14001 assures an effective environmental management system in order to help protect human health and the environment from the potential impact of our activities, products and services and to assist in maintaining and improving the quality of the environment.



Daikin Europe N.V. is approved by LRQA for its Quality Management System in accordance with the ISO9001 standard. ISO9001 pertains to quality assurance regarding design, development, manufacturing as well as to services related to the product.



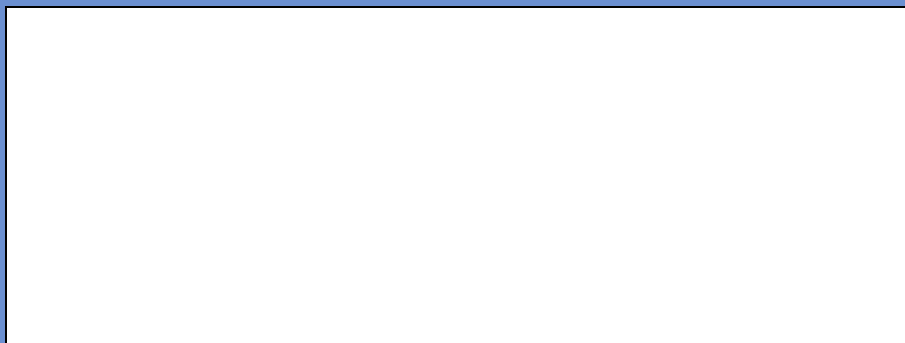
Daikin units comply with the European regulations that guarantee the safety of the product.

VRV products are not within the scope of the Eurovent certification programme.

Daikin equipment is designed for comfort applications. For use in other applications, please contact your local Daikin representative.

DAIKIN EUROPE N.V.

Zandvoordestraat 300
B-8400 Ostend - Belgium
www.daikineurope.com



E E D E 0 6 - 2