

---

**VRV SYSTEM Air Conditioners**

---

English

Deutsch

Français

Español

Italiano

Ελληνικά

Nederlands

Portugues

Russian

**MODELS****Ceiling-mounted duct type  
low static pressure unit****FXDQ20NVE  
FXDQ25NVE  
FXDQ32NVE  
FXDQ40NVE  
FXDQ50NVE  
FXDQ63NVE**

Thank you for purchasing this Daikin air conditioner.

Carefully read this operation manual before using the air conditioner.

This operation manual is prepared for only the indoor unit. To understand the whole set fully, read this manual together with the operation manual for the outdoor unit.

The next items are described in the operation manual for the outdoor unit.

- Part names and functions of remote controller
- Operation procedure
- Troubleshooting

For the warranty card, receive it from your dealer and store it with this operation manual.

Vielen Dank für den Kauf einer Klimaanlage von Daikin.

Lesen Sie dieses Betriebshandbuch vor Inbetriebnahme der Klimaanlage sorgfältig durch.

In diesem Handbuch wird nur die Installation der Raumeinheit beschrieben. Um die Gesamtanlage zu verstehen, lesen sie dieses Handbuch zusammen mit dem Handbuch der Außeneinheit.

In der Bedienungsanleitung der Außeneinheit finden Sie Details zu den folgenden Punkten.

- Teilebezeichnungen und Funktionen der Fernbedienung
- Bedienung
- Fehlersuche

Verwahren Sie die Garantiekarte, die Sie von Ihrem Händler erhalten, zusammen mit dieser Bedienungsanleitung auf.

Nous vous remercions pour votre acquisition de ce système de climatisation Daikin.

Lisez attentivement ce manuel avant d'utiliser le climatiseur.

Ce mode d'emploi ne concerne que l'unité intérieure. Pour bien comprendre tout le système, lisez ce mode d'emploi et celui de l'unité extérieure.

Les points suivants sont décrits dans le mode d'emploi de l'unité extérieure.

- Nom des pièces et fonctions de la télécommande
- Procédure d'utilisation
- Dépannage

Faites-vous remettre le bon de garantie par votre revendeur et rangez-le avec le mode d'emploi.

Le agradecemos la compra de este acondicionador de aire Daikin.

Lea cuidadosamente el manual de funcionamiento antes de utilizar el acondicionador de aire.

Este manual de uso hace referencia únicamente a la unidad interior. Para obtener información de todo el conjunto, lea este manual junto con el manual de uso para la unidad exterior.

Los siguientes elementos se describen en el manual de uso de la unidad exterior.

- Nombres de componentes y funciones del control remoto
- Procedimiento de funcionamiento
- Solución de problemas

Solicite la tarjeta de garantía a su concesionario y guárdela con este manual de uso.

La ringraziamo di aver acquistato questo condizionatore d'aria Daikin.

Leggere attentamente questo manuale prima di utilizzare il condizionatore.

Questo manuale di istruzioni riguarda solo l'unità interna. Per imparare a usare l'intero sistema, leggere questo manuale insieme al manuale di istruzioni dell'unità esterna.

Le voci seguenti vengono trattate nel manuale di istruzioni dell'unità esterna.

- Nome delle parti e funzioni del telecomando
- Procedure operative
- Risoluzione dei problemi

Per quanto riguarda il certificato di garanzia, esso viene consegnato al cliente dal rivenditore e il cliente è invitato a conservarlo insieme al manuale di istruzioni.

Σας ευχαριστούμε που αγοράσατε αυτή την κλιματιστική συσκευή της Daikin.

Διαβάστε προσεκτικά αυτό το εγχειρίδιο χρήσης πριν χρησιμοποιήσετε την κλιματιστική συσκευή.

Το παρόν εγχειρίδιο λειτουργίας έχει ετοιμαστεί μόνο για την εσωτερική μονάδα. Για την πλήρη κατανόηση όλου του συνόλου, διαβάστε το παρόν εγχειρίδιο μαζί με το εγχειρίδιο λειτουργίας της εξωτερικής μονάδας.

Τα επόμενα αντικείμενα περιγράφονται στο εγχειρίδιο λειτουργίας της εξωτερικής μονάδας.

- Όνομα ανταλλακτικών και λειτουργία του τηλεχειριστηρίου
- Διαδικασία λειτουργίας
- Αντιμετώπιση προβλημάτων

Για την κάρτα εγγύησης, παραλάβετε την από τον αντιπρόσωπο σας και κρατήστε την μαζί με το εγχειρίδιο λειτουργίας.

Wij danken u voor de a aankoop van deze Daikin-airconditioner.

Lees deze bedrijtshandleiding aandachtig door voordat u de airconditioner gebruikt.

Deze bedieningshandleiding is alleen bedoeld voor de binnenunit. Lees deze handleiding en de bedieningshandleiding voor de buitenunit aandachtig door om de werking van het hele systeem te begrijpen.

In de bedieningshandleiding voor de buitenunit zijn de volgende items zijn beschreven.

- Onderdeelnamen en functies van de afstandsbediening
- Bedieningsprocedure
- Storingen verhelpen

Bewaar de garantietaal die u van uw leverancier ontvangt bij deze bedieningshandleiding.

Obrigado pela sua compra deste aparelho de ar condicionado Daikin.

Leia com atenção este manual de operação antes de proceder à utilização do aparelho de ar condicionado.

Este manual de utilização destina-se exclusivamente à unidade interior. Para entender exaustivamente a totalidade do aparelho, leia este manual em conjunto com o manual de utilização da unidade exterior.

Os itens seguintes são descritos no manual de utilização da unidade exterior.

- Nomes de peças e funções do controlador remoto
- Procedimento de funcionamento
- Resolução de Problemas

Relativamente ao cartão de garantia, obtenha-o junto do representante e guarde-o com este manual de funcionamento.

Благодарим за покупку кондиционера Daikin.

До начала работы с кондиционером внимательно изучите данное руководство по эксплуатации.

Данное руководство по эксплуатации относится только к комнатному блоку. Для того чтобы полностью ознакомиться с комплектом, прочтите данное руководство вместе с руководством по эксплуатации наружного блока.

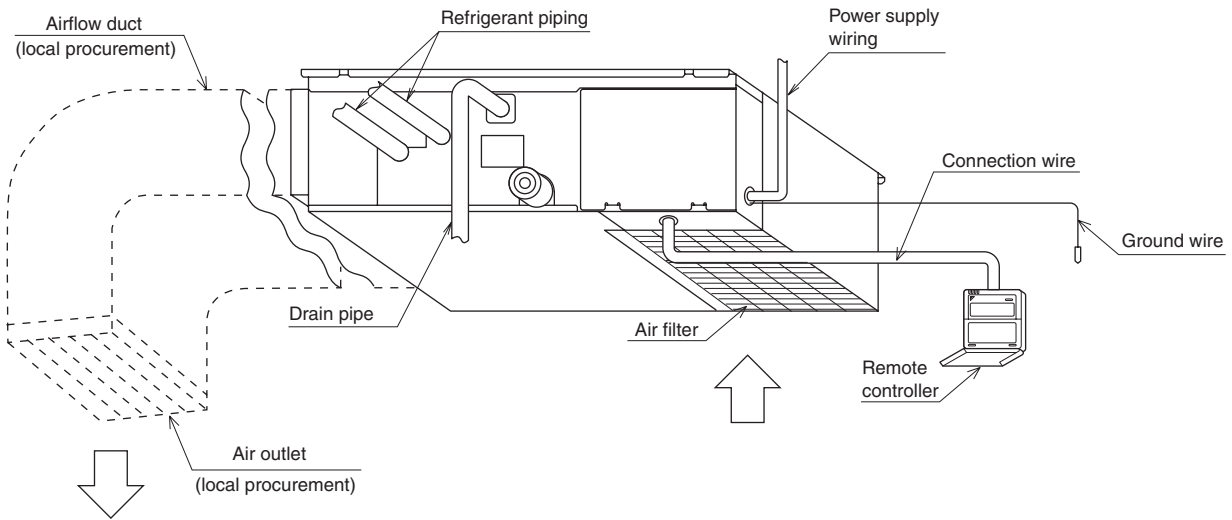
В руководстве по эксплуатации наружного блока приводится описание следующих пунктов.

- Наименования частей и функции удаленного контроллера
- Процедура эксплуатации
- Поиск и устранение неисправностей

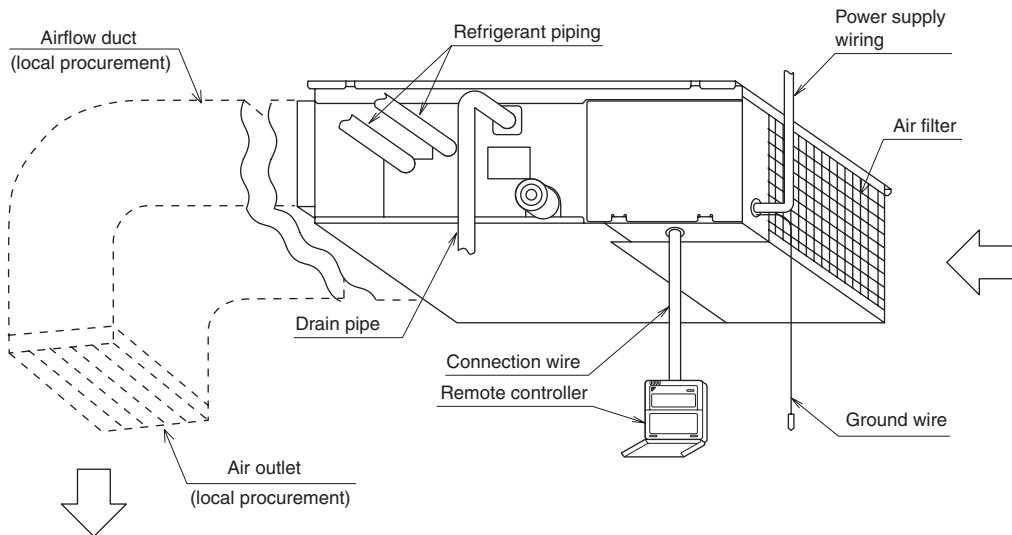
Получите у Вашего дилера гарантийный талон и храните его вместе с данным руководством по эксплуатации.

# Part name and functions

## In case of suction from bottom side



## In case of suction from back side



## Safety considerations

Be sure to follow them.

〈Before operation, read this operation manual carefully to operate it properly.〉

- Cautions indicated here are classified into the following two types. Each type of caution describes important contents relate to safety. Make sure to observe each caution.

**⚠ WARNING** ..... These are the matters with possibilities leading to serious consequences such as death or serious injury due to erroneous handling.

**⚠ CAUTION**..... These are the matters with possibilities leading to injury or material damage due to erroneous handling including probabilities leading to serious consequences in some cases.

- The symbol marks in the manual show the following indications.

	Never perform the following procedures.
	Be sure to perform them as indicated.

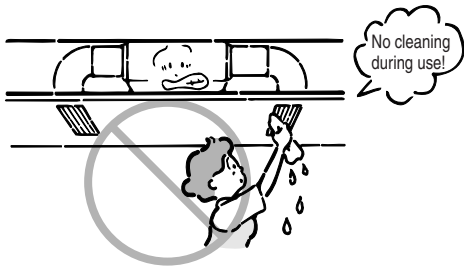
## Maintenance

### ⚠ WARNING

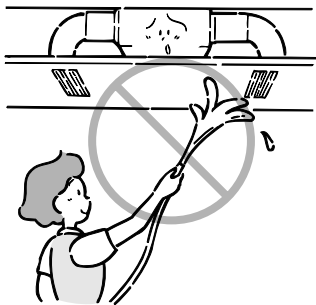
- Only a qualified person is allowed to perform maintenance without daily maintenance.
- Before touching any of connection wirings, be sure to turn off all power supply switches.
- For installation of optional parts, only a qualified person is allowed to do so.  
Be sure to use optional parts specified by our company. Installation in your own manner may result in water leakage, electric shock or fire.

### ⚠ CAUTION

- Be sure to stop operation and turn the power switch off before cleaning the air conditioner.  
Otherwise, an electric shock or injury may result.



- Do not wash the air conditioner with water.  
Doing so may result in an electric shock.



- Use a stable stool.  
Use extra cautions when cleaning the air conditioner.

### ⟨Maintenance and inspection⟩

- Clean the drain pan periodically. The drain pipes clogged with dust will cause water leakage.
- For cleaning, consult with your Daikin dealer.  
(Before each season when cooling or heating is required, clean the air conditioner.)
- If the area around the indoor unit is very dusty, use a dust-proof cover (local procurement).



### ⟨Cleaning the inside of the indoor unit⟩

- It is necessary to clean the inside of the indoor unit periodically.  
Since the cleaning requires special technologies, request a Daikin dealer to clean them.

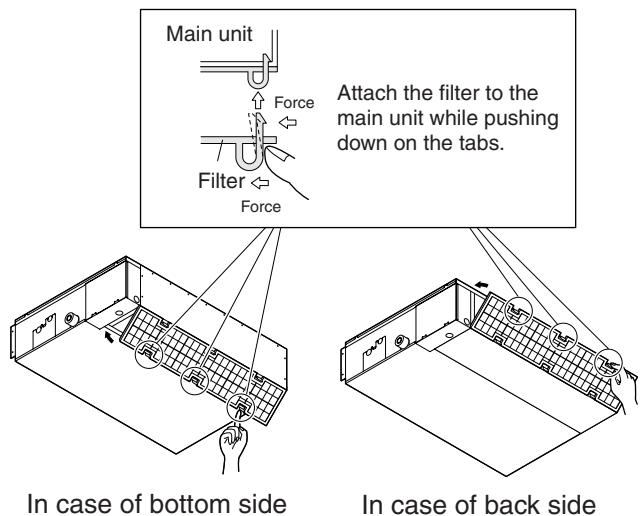
### Daily maintenance:

#### ⟨Cleaning the air filter⟩

#### Explanation


- Removing the air filter except when cleaning the air conditioner may result in accidents.
- When the  mark is displayed on the remote controller, please clean the filter.
- When the operating time exceeds the designated time, this mark will be displayed.
- If using the air conditioner under very dusty environment, increase the frequency of air filter cleaning.
- When you want to change the setting time until the  mark is displayed, consult with your dealer.  
(The default factory setting is 2500 hours.)
- There are the following time, display pattern.  
1250, 2500, 5000, 10000

#### 1. Remove the air filter.



#### 2. Clean it.

#### ⚠ Note:

- Do not wash the air conditioner with hot water of more than 50°C. Doing so may result in discoloration or deformation.
- Never dry the filter by direct firing. Doing so may result in burning. 

(1) Use a vacuum cleaner (A) or wash the air filter (B) to remove dust and trash.

(A) Remove dust and trash using a vacuum cleaner.



(B) Wash it with water. When the air filter is very dirty, use a soft brush and neutral detergent.



Dewater and dry in the shade.



**3. Attach the air filter.**

**4. Push the “filter sign reset” button on the remote controller.**

The display “” vanishes.

⟨Cleaning the air outlet and exterior⟩

**⚠ Note:**

- Do not use gasoline, benzene, thinner, polishing powder or liquid insecticide.
- Do not use hot water of 50°C or higher, as doing so may result in discoloration or deformation.

(1) Clean with dry soft cloth. (When it is difficult to remove stains, use water or neutral detergent.)

**If the following phenomenon occurs, contact your dealer.**

**⚠ WARNING**

- **When any abnormality is found (burnt odor), turn off the power switch.**

Continued operation under such circumstances may result in a failure, electric shock or fire.



- **Contact your dealer.**

**Phenomenon**

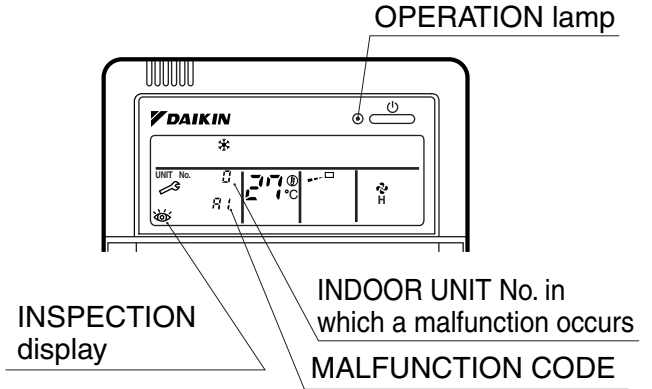
- The safety devices such as fuse, breaker, ground fault interrupter, etc. often operate or operations of the operation switch are unstable. **Take the following actions before contact.** Turn off the switch.

**Phenomenon**

- Water leaks out from the air conditioner. **Take the following actions before contact.** Stop the operation.

**Phenomenon**

- The “OPERATION lamp”, “INSPECTION display” or “UNIT No.” is winking and lit, and “MALFUNCTION CODE” is displayed.



**Take the following actions before contact.** Inform the dealer of the details being displayed on the remote controller.

**Product type and running noise**

Model No. / Model		FXDQ20	FXDQ25	FXDQ32	FXDQ40	FXDQ50	FXDQ63
		NVE	NVE	NVE	NVE	NVE	NVE
Type	Function	Heat pump type					
	Combination system	Separate type					
	Condenser cooling method	Air cooling type					
	Air blowing method	Direct air-blowing type					
	Rated cooling capacity (W)	2200	2800	3600	4500	5600	7100
	Rated heating capacity (W)	2500	3200	4000	5000	6300	8000
Operating sound dB (A) (conversion values under noise-less room)		33	33	33	34	35	36


**Explanation**

- The actual value during operation is higher than the indicated value under the influence of environmental noise and echo.
- The above data is subject to change by means of technological innovation.

## After-sales service and maintenance

### After-sales service:

#### **WARNING**

- **Ask your dealer for repair.**  
Incomplete repair may result in water leakage, electric shock and fire.
- **Ask your dealer to move and reinstall the air conditioner.**  
Incomplete installation may result in water leakage, electric shock and fire.
- **The refrigerant used in the air conditioner is safe.**  
**Although the refrigerant does not usually leak, if the refrigerant leaks out into a room and comes in contact with the combustible air in the equipment such as fan heater, stove, oil (gas) cooker, etc., it will cause toxic gas to be generated.**  
When a refrigerant leakage failure has been repaired, confirm a service person that the leakage point has been corrected surely before restarting operation. 

- **When asking your dealer to repair, inform related staff of the details as follows:**
  - Product No. of air conditioner:  
Refer to the warranty card.
  - Shipping date and installation date:  
Refer to the warranty card.
  - Malfunction:  
Inform the staff of the defective details.  
(Malfunction code being displayed on the remote controller.)
  - Name, address, telephone number
- **Repair where the warranty term is expired**  
Contact your dealer. If necessary to repair, pay service is available.
- **Minimum storage period of important parts**  
Even after a certain type of air conditioner is discontinued, we at Daikin have the related important parts in stock for 9 years at least. The important parts indicate parts essential to operate the air conditioner.

- **Maintenance and inspection**

Since dust collects after using the unit for several years, the performance will be deteriorated to some extent.

It is recommended to request the technical staff to perform maintenance (pay service). For further details, consult with your dealer.

- **Where to call**

For after-sales service, etc., consult with your dealer.

- **When disposing the air conditioner, removing/installing and maintaining it, collect the refrigerant.**

### Warranty period:

- This product includes a warranty card.  
The warranty card is given to a customer after dealer staff fills out necessary items in the card. The customer should check the entered items and store it carefully.  
  
Warranty period: Within one year after installation.  
For further details, refer to the warranty card.
- If it is necessary to repair the air conditioner within the warranty period, contact your dealer and show your warranty card. If the warranty card is not shown, pay-service repair may be performed even though the warranty period is not expired.

**DAIKIN INDUSTRIES, LTD.**

Head office:

Umeda Center Bldg., 4-12, Nakazaki-Nishi 2 chome,  
Kita-ku, Osaka, 530-8323 Japan

Tokyo office:

Shinjuku Sumitomo Bldg., 6-1 Nishi-Shinjuku  
2-chome, Shinjuku-ku, Tokyo, 163-0235 Japan  
<http://www.daikin.com/global/>

**DAIKIN EUROPE NV**

Zandvoordestraat 300, B-8400 Oostende, Belgium