



Air Conditioners

Technical Data

VRV[®]

Ceiling suspended cassette



EEDEN11-204

FXHQ-MA



Air Conditioners

Technical Data



Ceiling suspended cassette



EEDEN11-204

FXHQ-MA

TABLE OF CONTENTS

FXHQ-MA

1	Specifications	2
	Technical Specifications	2
	Electrical Specifications (50Hz)	3
2	Electrical data	4
	Electrical data	4
3	Safety device settings	5
	Safety Device Settings	5
4	Options	6
	Options	6
5	Control systems	7
	Control Systems	7
6	Capacity tables	8
	Cooling Capacity Tables	8
	Heating Capacity Tables	9
7	Dimensional drawings	10
	Dimensional Drawings	10
8	Piping diagrams	12
	Piping Diagrams	12
9	Wiring diagrams	13
	Wiring Diagrams - Single Phase	13
10	Sound data	14
	Sound Level Data	14
	Sound Pressure Spectrum	15
11	Air flow patterns	16
	Air Flow Pattern - Cooling	16

1 Specifications

1-1 Technical Specifications				FXHQ32MA	FXHQ63MA	FXHQ100MA	
Cooling capacity	Nom.		kW	3.6 (1)	7.1 (1)	11.2 (1)	
Heating capacity	Nom.		kW	4.0 (2)	8.0 (2)	12.5 (2)	
Power input - 50Hz	Cooling	Nom.	kW	0.111	0.115	0.135	
	Heating	Nom.	kW	0.111	0.115	0.135	
Power input - 60Hz	Cooling	Nom.	kW	0.142	0.145	0.199	
	Heating	Nom.	kW	0.142	0.145	0.199	
Casing	Colour			White (10Y9/0.5)			
Dimensions	Unit	Height	mm	195			
		Width	mm	960	1,160	1,400	
		Depth	mm	680			
Weight	Unit		kg	24	28	33	
Heat exchanger	Rows	Quantity		2	3		
	Fin pitch		mm	1.75			
	Face area		m ²	0.182	0.233	0.293	
	Stages	Quantity		12			
Fan	Type			Sirocco fan			
	Air flow rate - 50Hz	Cooling	High	m ³ /min	12	17.5	25
			Low	m ³ /min	10	14	19.5
	Air flow rate - 60Hz	Cooling	High	m ³ /min	12	17.5	25
			Low	m ³ /min	10	14	19.5
Fan motor	Model			3D12K1AA1	4D12K1AA1	3D12K2AA1	
	Output	High	W	62		130	
	Drive			Direct drive			
Sound pressure level	Cooling	High	dBA	36	39	45	
		Low	dBA	31	34	37	
Refrigerant	Type			R-410A			
	Control			Electronic expansion valve			
Piping connections	Liquid	Type		Flare connection			
		OD	mm	6.35	9.52		
	Gas	Type		Flare connection			
		OD	mm	12.7	15.9		
	Drain			VP20 (I.D. 20/O.D. 26)			
Heat insulation			Glass wool				
Temperature control				Microprocessor thermostat for cooling and heating			
Air filter				Resin net with mold resistance			
Safety devices	Item	01		Fan motor thermal protection			
		02		Fuse			

Standard Accessories : Washer;

Standard Accessories : Clamps;

Standard Accessories : Insulation for fitting;

Standard Accessories : Clamp metal;

Standard Accessories : Paper pattern for installation;

Standard Accessories : Drain hose;

Standard Accessories : Installation manual;

Standard Accessories : Operation manual;

1 Specifications

1-2 Electrical Specifications (50Hz)			FXHQ32MA	FXHQ63MA	FXHQ100MA
Power supply	Name		VE		
	Phase		1~		
	Frequency	Hz	50/60		
	Voltage	V	220-240/220		
Voltage range	Min.	%	-10		
	Max.	%	10		
Current - 50Hz	Minimum circuit amps (MCA)		A	0.8	0.9
	Maximum fuse amps (MFA)		A	15	
	Full load amps (FLA)	Total	A	0.6	0.7
Current - 60Hz	Minimum circuit amps (MCA)		A	0.9	1.3
	Maximum fuse amps (MFA)		A	15	
	Full load amps (FLA)	Total	A	0.7	1.0

Notes

- (1) Cooling: indoor temp. 27°CDB, 19°CWB; outdoor temp. 35°CDB; equivalent piping length: 7.5m (horizontal)
- (2) Heating: indoor temp. 20°CDB; outdoor temp. 7°CDB, 6°CWB; equivalent refrigerant piping: 7.5m (horizontal)
- (3) Capacities are net, including a deduction for cooling (an addition for heating) for indoor fan motor heat.
- (4) Voltage range: units are suitable for use on electrical systems where voltage supplied to unit terminal is not below or above listed range limits.
- (5) Maximum allowable voltage range variation between phases is 2%.
- (6) MCA/MFA: $MCA = 1.25 \times FLA$
- (7) $MFA \leq 4 \times FLA$
- (8) Next lower standard fuse rating minimum 15A
- (9) Select wire size based on the value of MCA
- (10) Use a circuit breaker instead of a fuse.

2 Electrical data

2 - 1 Electrical data

FXHQ-MA

Units				Power supply		IFM		Input (W)	
Model	Hz	Volts	Voltage range	MCA	MFA	KW	FLA	Cooling	Heating
FXHQ32MA	50	220-240	Max. 264 Min. 198	0.8	15	0.062	0.6	111	111
FXHQ63MA				0.8	15	0.062	0.6	115	115
FXHQ100MA				0.9	15	0.130	0.7	135	135
FXHQ32MA	60	220	Max. 242 Min. 198	0.9	15	0.062	0.7	142	142
FXHQ63MA				0.9	15	0.062	0.7	145	145
FXHQ100MA				1.3	15	0.130	1.0	199	199

Symbols:

MCA: Min. Circuit Amps (A)
MFA: Max. Fuse Amps (See note 5)
KW: Fan Motor Rated Output (KW)
FLA: Full Load Amps (A)
IFM: Indoor Fan motor

4D035304C

NOTES

1. Voltage range: units are suitable for use on electrical systems where voltage supplied to unit terminals is not below or above listed range limits.
2. Maximum allowable voltage unbalance between phases is 2%.
3. MCA/MFA
MCA = 1.25 X FLA
MFA ≤ 4 X FLA (next lower standard fuse rating min. 15A)
4. Select wire size based on the MCA.
5. Instead of fuse, use circuit breaker.

3 Safety device settings

3 - 1 Safety Device Settings

FXHQ-MA

		Safety devices	32	63	100
FXHQ-MA	PC board fuse		250V 5A	250V 5A	250V 5A
	Fan motor thermal fuse	°C	-	-	-
	Fan motor thermal protector	°C	Off: 130 ⁺⁵ On: 80 ⁺²⁰	Off: 130 ⁺⁵ On: 80 ⁺²⁰	Off: 130 ⁺⁵ On: 80 ⁺²⁰

3D034597H

4 Options

4 - 1 Options

FXHQ-MA

Item \ Model	FXHQ32MA	FXHQ63MA	FXHQ100MA
Drain pump kit	KDU50N60VE	KDU50N125VE	
	(AS1702444)		
Replacement long-life filter (resin net)	KAF501DA56	KAF501DA80	KAF501DA112
	(AS3601666)		
L-type piping kit (for upward direction)	KHFP5MA63	KHFP5MA160	
	(AS2302443)		

4D040446C

5 Control systems

5 - 1 Control Systems

FXHQ-MA

No.	Item	Type		FXHQ-MA
		Infrared	H/P C/O	
1	Remote control	Infrared	H/P	BRC7E63W
			C/O	BRC7E66
		Wired		BRC1D52 / BRC1E51A / BRC1D61 (7)
2	Simplified remote control			-
3	Remote control for hotel use			-
4	Adapter for wiring			KRP1B3
5-1	Wiring adapter for electrical appendices (1)			★KRP2A62
5-1	Wiring adapter for electrical appendices (2)			★KRP4A52
6	Remote sensor			KRCS01-1
7	Installation box for adapter PCB			KRP1C93 (3)
8	Central remote control			DCS302C51 / DCS302C61 (7)
8-1	Electrical box with earth terminal (3 blocks)			KJB311A
9	Unified on/off controller			DCS301B51 / DCS301B61 (7)
9-1	Electrical box with earth terminal (2 blocks)			KJB212A
9-2	Noise filter (for electromagnetic interface use only)			KEK26-1
10	Schedule timer			DST301B51 / DST301B61 (7)
11	External control adapter for outdoor unit (Must be installed on indoor units)			★DTA104A62
12	Residential remote control			DCS303A51 (7) (8)

3D034600D

NOTES

1. Installation box (no. 7) is necessary for each adapter marked ★.
2. Up to 2 adapters can be fixed for each installation box.
3. Only one installation box can be installed for each indoor unit.
4. Up to 2 installation boxes can be installed for each indoor unit.
5. Installation box (no. 7) is necessary for second adapter.
6. Installation box (no. 7) is necessary for each adapter.
7. For DAME only.
8. For residential use only. Cannot be used with other centralised control equipment.

6 Capacity tables

6 - 1 Cooling Capacity Tables

FXHQ-MA																
Unit size	Nominal capacity	Outdoor air temp. °CDB	Indoor air temperature													
			14.0WB		16.0WB		18.0WB		19.0WB		20.0WB		22.0WB		24.0WB	
			20.0DB		23.0DB		26.0DB		27.0DB		28.0DB		30.0DB		32.0DB	
			TC	SHC	TC	SHC	TC	SHC	TC	SHC	TC	SHC	TC	SHC	TC	SHC
32	3.6	10.0	2.4	2.3	2.9	2.6	3.4	2.8	3.6	2.9	3.8	2.9	4.3	3.0	4.7	3.1
		12.0	2.4	2.3	2.9	2.6	3.4	2.8	3.6	2.9	3.8	2.9	4.3	3.0	4.7	3.0
		14.0	2.4	2.3	2.9	2.6	3.4	2.8	3.6	2.9	3.8	2.9	4.3	3.0	4.6	3.0
		16.0	2.4	2.3	2.9	2.6	3.4	2.8	3.6	2.9	3.8	2.9	4.3	3.0	4.6	3.0
		18.0	2.4	2.3	2.9	2.6	3.4	2.8	3.6	2.9	3.8	2.9	4.3	3.0	4.5	2.9
		20.0	2.4	2.3	2.9	2.6	3.4	2.8	3.6	2.9	3.8	2.9	4.3	3.0	4.4	2.9
		21.0	2.4	2.3	2.9	2.6	3.4	2.8	3.6	2.9	3.8	2.9	4.3	3.0	4.4	2.9
		23.0	2.4	2.3	2.9	2.6	3.4	2.8	3.6	2.9	3.8	2.9	4.2	3.0	4.3	2.8
		25.0	2.4	2.3	2.9	2.6	3.4	2.8	3.6	2.9	3.8	2.9	4.2	2.9	4.3	2.8
		27.0	2.4	2.3	2.9	2.6	3.4	2.8	3.6	2.9	3.8	2.9	4.1	2.9	4.2	2.8
		29.0	2.4	2.3	2.9	2.6	3.4	2.8	3.6	2.9	3.8	2.9	4.1	2.9	4.2	2.7
		31.0	2.4	2.3	2.9	2.6	3.4	2.8	3.6	2.9	3.8	2.9	4.0	2.8	4.1	2.7
		33.0	2.4	2.3	2.9	2.6	3.4	2.8	3.6	2.9	3.8	2.9	3.9	2.8	4.0	2.7
		35.0	2.4	2.3	2.9	2.6	3.4	2.8	3.6	2.9	3.8	2.9	3.9	2.8	4.0	2.7
		37.0	2.4	2.3	2.9	2.6	3.4	2.8	3.6	2.9	3.7	2.9	3.8	2.8	3.9	2.7
		39.0	2.4	2.3	2.9	2.6	3.4	2.8	3.6	2.9	3.7	2.9	3.8	2.7	3.8	2.6
63	7.1	10.0	4.8	4.1	5.7	4.6	6.6	5.1	7.1	5.2	7.6	5.3	8.5	5.5	9.3	5.6
		12.0	4.8	4.1	5.7	4.6	6.6	5.1	7.1	5.2	7.6	5.3	8.5	5.5	9.2	5.5
		14.0	4.8	4.1	5.7	4.6	6.6	5.1	7.1	5.2	7.6	5.3	8.5	5.5	9.1	5.4
		16.0	4.8	4.1	5.7	4.6	6.6	5.1	7.1	5.2	7.6	5.3	8.5	5.5	9.0	5.3
		18.0	4.8	4.1	5.7	4.6	6.6	5.1	7.1	5.2	7.6	5.3	8.5	5.5	8.8	5.3
		20.0	4.8	4.1	5.7	4.6	6.6	5.1	7.1	5.2	7.6	5.3	8.5	5.5	8.7	5.2
		21.0	4.8	4.1	5.7	4.6	6.6	5.1	7.1	5.2	7.6	5.3	8.5	5.5	8.7	5.2
		23.0	4.8	4.1	5.7	4.6	6.6	5.1	7.1	5.2	7.6	5.3	8.4	5.4	8.5	5.1
		25.0	4.8	4.1	5.7	4.6	6.6	5.1	7.1	5.2	7.6	5.3	8.3	5.4	8.4	5.1
		27.0	4.8	4.1	5.7	4.6	6.6	5.1	7.1	5.2	7.6	5.3	8.1	5.3	8.3	5.0
		29.0	4.8	4.1	5.7	4.6	6.6	5.1	7.1	5.2	7.6	5.3	8.0	5.2	8.2	5.0
		31.0	4.8	4.1	5.7	4.6	6.6	5.1	7.1	5.2	7.6	5.3	7.9	5.1	8.1	4.9
		33.0	4.8	4.1	5.7	4.6	6.6	5.1	7.1	5.2	7.6	5.3	7.8	5.1	7.9	4.9
		35.0	4.8	4.1	5.7	4.6	6.6	5.1	7.1	5.2	7.5	5.3	7.7	5.1	7.8	4.8
		37.0	4.8	4.1	5.7	4.6	6.6	5.1	7.1	5.2	7.4	5.2	7.5	5.0	7.7	4.8
		39.0	4.8	4.1	5.7	4.6	6.6	5.1	7.1	5.2	7.2	5.1	7.4	5.0	7.6	4.7
100	11.2	10.0	7.6	6.2	9.0	6.9	10.5	7.8	11.2	8.0	11.9	8.1	13.4	8.5	14.7	8.7
		12.0	7.6	6.2	9.0	6.9	10.5	7.8	11.2	8.0	11.9	8.1	13.4	8.5	14.5	8.5
		14.0	7.6	6.2	9.0	6.9	10.5	7.8	11.2	8.0	11.9	8.1	13.4	8.5	14.4	8.4
		16.0	7.6	6.2	9.0	6.9	10.5	7.8	11.2	8.0	11.9	8.1	13.4	8.5	14.2	8.3
		18.0	7.6	6.2	9.0	6.9	10.5	7.8	11.2	8.0	11.9	8.1	13.4	8.5	14.0	8.2
		20.0	7.6	6.2	9.0	6.9	10.5	7.8	11.2	8.0	11.9	8.1	13.4	8.5	13.8	8.1
		21.0	7.6	6.2	9.0	6.9	10.5	7.8	11.2	8.0	11.9	8.1	13.4	8.5	13.7	8.0
		23.0	7.6	6.2	9.0	6.9	10.5	7.8	11.2	8.0	11.9	8.1	13.2	8.3	13.5	7.9
		25.0	7.6	6.2	9.0	6.9	10.5	7.8	11.2	8.0	11.9	8.1	13.0	8.2	13.3	7.8
		27.0	7.6	6.2	9.0	6.9	10.5	7.8	11.2	8.0	11.9	8.1	12.8	8.1	13.1	7.7
		29.0	7.6	6.2	9.0	6.9	10.5	7.8	11.2	8.0	11.9	8.1	12.6	8.0	12.9	7.6
		31.0	7.6	6.2	9.0	6.9	10.5	7.8	11.2	8.0	11.9	8.1	12.4	7.9	12.7	7.6
		33.0	7.6	6.2	9.0	6.9	10.5	7.8	11.2	8.0	11.9	8.1	12.2	7.8	12.5	7.5
		35.0	7.6	6.2	9.0	6.9	10.5	7.8	11.2	8.0	11.8	8.1	12.1	7.7	12.3	7.4
		37.0	7.6	6.2	9.0	6.9	10.5	7.8	11.2	8.0	11.6	8.0	11.9	7.7	12.2	7.3
		39.0	7.6	6.2	9.0	6.9	10.5	7.8	11.2	8.0	11.4	7.9	11.7	7.6	12.0	7.2

CA03A095

6 Capacity tables

6 - 2 Heating Capacity Tables

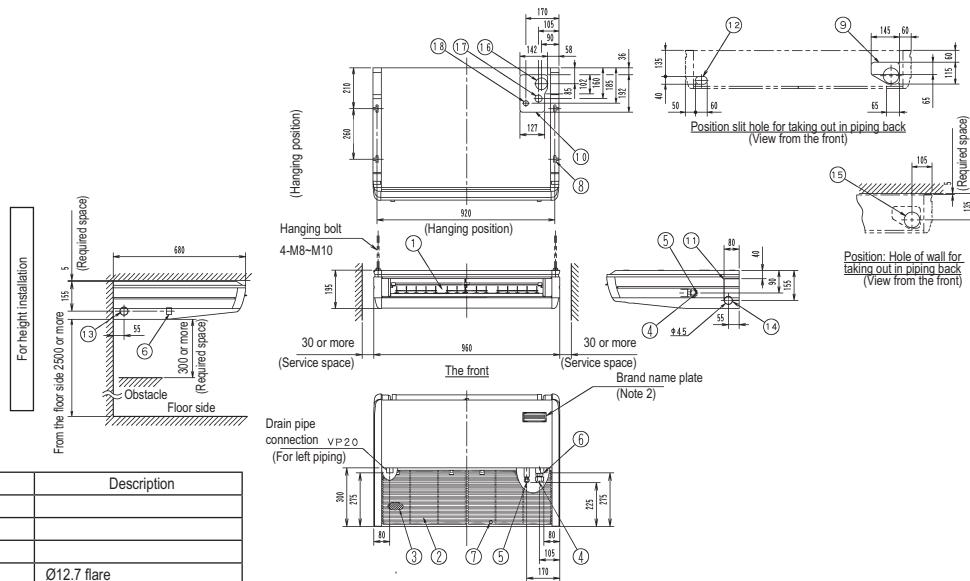
FXHQ-MA									
Unit Size	Nominal capacity	Outdoor air temperature		Indoor air temperature °CDB					
				16.0	18.0	Indoor air temperature °CDB			
		°CDB	°CWB	kW	kW	20.0	21.0	22.0	24.0
32	4.0	-19.8	-20.0	2.4	2.4	2.3	2.3	2.3	2.3
		-18.8	-19.0	2.4	2.4	2.4	2.4	2.4	2.4
		-16.7	-17.0	2.6	2.6	2.6	2.6	2.6	2.5
		-14.7	-15.0	2.7	2.7	2.7	2.7	2.7	2.7
		-12.6	-13.0	2.9	2.8	2.8	2.8	2.8	2.8
		-10.5	-11.0	3.0	3.0	3.0	3.0	3.0	3.0
		-9.5	-10.0	3.1	3.1	3.1	3.1	3.0	3.0
		-8.5	-9.1	3.1	3.1	3.1	3.1	3.1	3.1
		-7.0	-7.6	3.2	3.2	3.2	3.2	3.2	3.2
		-5.0	-5.6	3.4	3.4	3.4	3.4	3.4	3.4
		-3.0	-3.7	3.5	3.5	3.5	3.5	3.5	3.5
		0.0	-0.7	3.7	3.7	3.7	3.7	3.7	3.5
		3.0	2.2	3.9	3.9	3.9	3.9	3.7	3.5
		5.0	4.1	4.1	4.1	4.0	3.9	3.7	3.5
		7.0	6.0	4.2	4.2	4.0	3.9	3.7	3.5
		9.0	7.9	4.3	4.3	4.0	3.9	3.7	3.5
11.0	9.8	4.5	4.3	4.0	3.9	3.7	3.5		
13.0	11.8	4.5	4.3	4.0	3.9	3.7	3.5		
15.0	13.7	4.5	4.3	4.0	3.9	3.7	3.5		
63	8.0	-19.8	-20.0	4.7	4.7	4.7	4.7	4.7	4.7
		-18.8	-19.0	4.9	4.9	4.8	4.8	4.8	4.8
		-16.7	-17.0	5.1	5.1	5.1	5.1	5.1	5.1
		-14.7	-15.0	5.4	5.4	5.4	5.4	5.4	5.4
		-12.6	-13.0	5.7	5.7	5.7	5.7	5.7	5.7
		-10.5	-11.0	6.0	6.0	6.0	6.0	6.0	5.9
		-9.5	-10.0	6.1	6.1	6.1	6.1	6.1	6.1
		-8.5	-9.1	6.3	6.3	6.2	6.2	6.2	6.2
		-7.0	-7.6	6.5	6.5	6.4	6.4	6.4	6.4
		-5.0	-5.6	6.8	6.7	6.7	6.7	6.7	6.7
		-3.0	-3.7	7.0	7.0	7.0	7.0	7.0	7.0
		0.0	-0.7	7.5	7.4	7.4	7.4	7.4	7.0
		3.0	2.2	7.9	7.8	7.8	7.7	7.5	7.0
		5.0	4.1	8.1	8.1	8.0	7.7	7.5	7.0
		7.0	6.0	8.4	8.4	8.0	7.7	7.5	7.0
		9.0	7.9	8.7	8.5	8.0	7.7	7.5	7.0
11.0	9.8	8.9	8.5	8.0	7.7	7.5	7.0		
13.0	11.8	9.0	8.5	8.0	7.7	7.5	7.0		
15.0	13.7	9.0	8.5	8.0	7.7	7.5	7.0		
100	12.5	-19.8	-20.0	7.4	7.4	7.3	7.3	7.3	7.3
		-18.8	-19.0	7.6	7.6	7.6	7.5	7.5	7.5
		-16.7	-17.0	8.0	8.0	8.0	8.0	8.0	8.0
		-14.7	-15.0	8.5	8.5	8.4	8.4	8.4	8.4
		-12.6	-13.0	8.9	8.9	8.9	8.9	8.9	8.8
		-10.5	-11.0	9.4	9.3	9.3	9.3	9.3	9.3
		-9.5	-10.0	9.6	9.6	9.5	9.5	9.5	9.5
		-8.5	-9.1	9.8	9.8	9.7	9.7	9.7	9.7
		-7.0	-7.6	10.1	10.1	10.1	10.1	10.1	10.0
		-5.0	-5.6	10.6	10.5	10.5	10.5	10.5	10.5
		-3.0	-3.7	11.0	11.0	10.9	10.9	10.9	10.9
		0.0	-0.7	11.6	11.6	11.6	11.6	11.6	10.9
		3.0	2.2	12.3	12.3	12.2	12.1	11.7	10.9
		5.0	4.1	12.7	12.7	12.5	12.1	11.7	10.9
		7.0	6.0	13.1	13.1	12.5	12.1	11.7	10.9
		9.0	7.9	13.5	13.3	12.5	12.1	11.7	10.9
11.0	9.8	14.0	13.3	12.5	12.1	11.7	10.9		
13.0	11.8	14.1	13.3	12.5	12.1	11.7	10.9		
15.0	13.7	14.1	13.3	12.5	12.1	11.7	10.9		

CA03A095

7 Dimensional drawings

7 - 1 Dimensional Drawings

FXHQ32MA



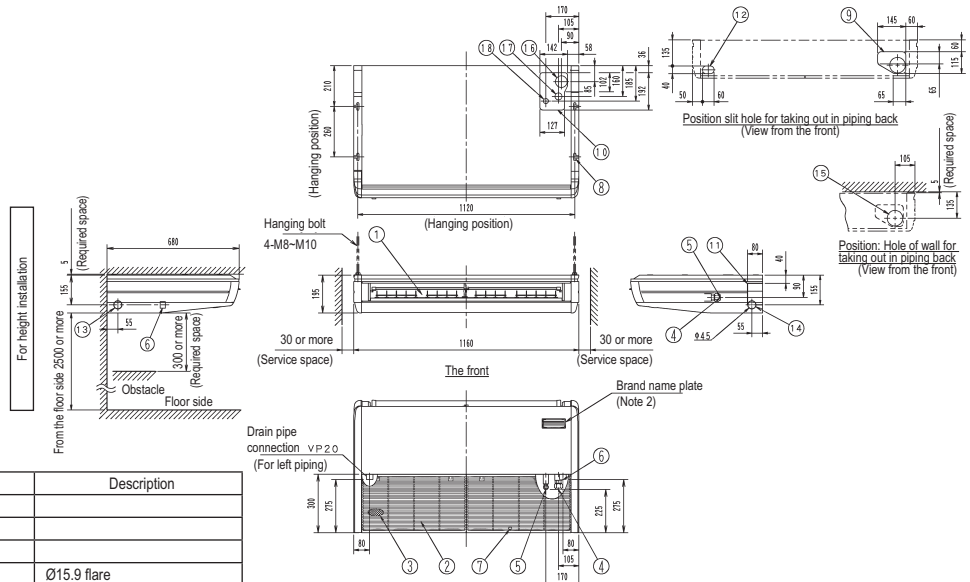
Number	Name	Description
1	Air discharge grille	
2	Air suction grille	
3	Air filter	
4	Gas pipe connection	Ø12.7 flare
5	Liquid pipe connection	Ø6.4 flare
6	Drain pipe connection	VP20
7	Earth terminal (inside the electric components box)	M4
8	Suspension bracket	
9	Backward piping and wiring connection opening lid	
10	Upward piping and wiring connection opening lid	
11	Right side pipe connection	Slit hole
12	Left back drain pipe connection	Slit hole
13	Left side drain pipe connection	Slit hole
14	Right side drain pipe connection	Slit hole
15	Hole of wall for taking out in piping back	Ø100
16	Upward drain pipe connection	Ø60
17	Upward gas pipe connection	Ø36
18	Upward liquid pipe connection	Ø26

3D038855A

NOTES

1. Location of unit's name plate: bottom of fan housing inside the suction grille.
2. In case of using infrared remote control, this position will be a signal receiver. Refer to the drawing of infrared remote control in detail.
3. The remote control code is the standard <about 3m outside the machine> attached. (0.5mm² X 2 wicks X O.D. Ø 5.4) (It is not attached to VRV.)

FXHQ63MA



Number	Name	Description
1	Air discharge grille	
2	Air suction grille	
3	Air filter	
4	Gas pipe connection	Ø15.9 flare
5	Liquid pipe connection	Ø9.5 flare
6	Drain pipe connection	VP20
7	Earth terminal (inside the electric components box)	M4
8	Suspension bracket	
9	Backward piping and wiring connection opening lid	
10	Upward piping and wiring connection opening lid	
11	Right side pipe connection	Slit hole
12	Left back drain pipe connection	Slit hole
13	Left side drain pipe connection	Slit hole
14	Right side drain pipe connection	Slit hole
15	Hole of wall for taking out in piping back	Ø100
16	Upward drain pipe connection	Ø60
17	Upward gas pipe connection	Ø36
18	Upward liquid pipe connection	Ø26

3D038856A

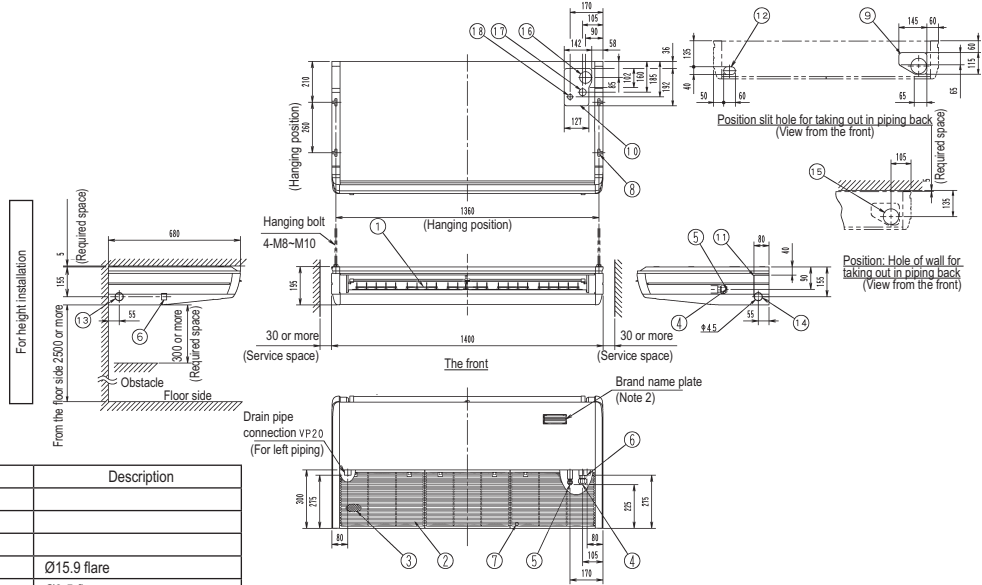
NOTES

1. Location of unit's name plate: bottom of fan housing inside the suction grille.
2. In case of using infrared remote control, this position will be a signal receiver. Refer to the drawing of infrared remote control in detail.
3. The remote control code is the standard <about 3m outside the machine> attached. (0.5mm² X 2 wicks > O.D. Ø 5.4) (It is not attached to VRV.)

7 Dimensional drawings

7 - 1 Dimensional Drawings

FXHQ100MA



Number	Name	Description
1	Air discharge grille	
2	Air suction grille	
3	Air filter	
4	Gas pipe connection	Ø15.9 flare
5	Liquid pipe connection	Ø9.5 flare
6	Drain pipe connection	VP20
7	Earth terminal (inside the control box)	M4
8	Suspension bracket	
9	Backward piping and wiring connection opening lid	
10	Upward piping and wiring connection opening lid	
11	Right side pipe connection	Slit hole
12	Left back drain pipe connection	Slit hole
13	Left side drain pipe connection	Slit hole
14	Right side drain pipe connection	Slit hole
15	Hole of wall for taking out in piping back	Ø100
16	Upward drain pipe connection	Ø60
17	Upward gas pipe connection	Ø36
18	Upward liquid pipe connection	Ø26

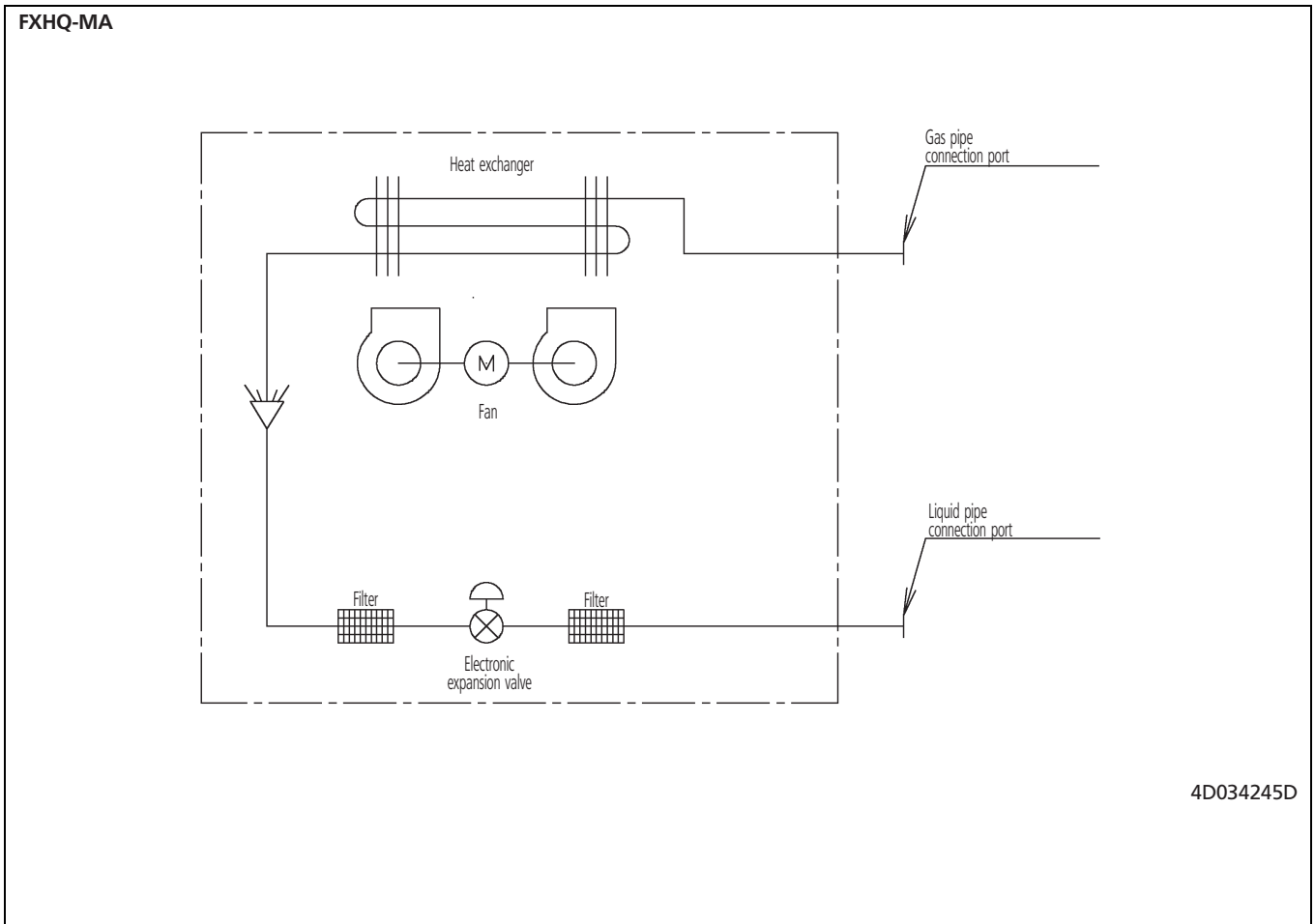
3D038857C

NOTES

1. Location of unit's Name plate: Bottom of fan housing inside the suction grille.
2. In case of using infrared remote control, this position will be a signal receiver. Refer to the drawing of infrared remote control in detail.

8 Piping diagrams

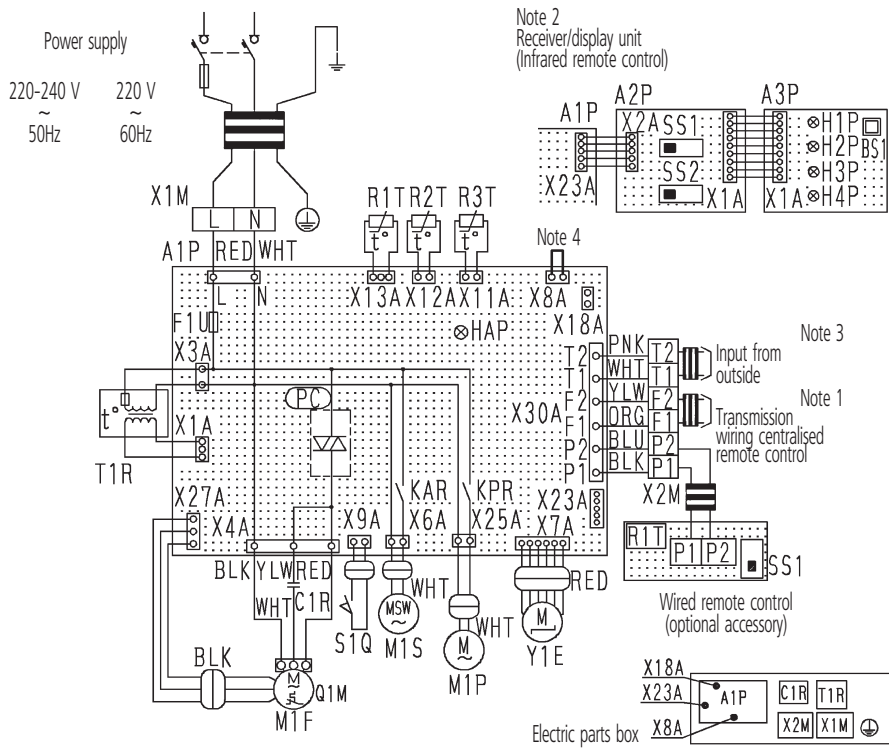
8 - 1 Piping Diagrams



9 Wiring diagrams

9 - 1 Wiring Diagrams - Single Phase

FXHQ-MA



Indoor unit			Receiver/display unit (Attached to infrared remote control)		
A1P	Printed circuit board	T1R	Transformer (220-240V/22V)	A2P	Printed circuit board
C1R	Capacitor (M1F)	X1M	Terminal block (Power)	A3P	Printed circuit board
F1U	Fuse (5A, 250V)	X2M	Terminal block (Control)	BS1	Push button (On/off)
HAP	Light emitting diode (Service monitor-green)	Y1E	Electronic expansion valve	H1P	Light emitting diode (On red)
KAR	Magnetic relay (M1S)	PC	Phase control circuit	H2P	Light emitting diode (Timer green)
KPR	Magnetic relay (M1P)			H3P	Light emitting diode (Filter sign-red)
M1F	Motor (Indoor fan)	Optional parts		H4P	Light emitting diode (Defrost orange)
M1S	Motor (Swing flap)	M1P	Motor (Drain pump)	SS1	Selector switch (Main/sub)
Q1M	Thermo switch (M1F embedded)			SS2	Selector switch (Wireless address set)
R1T	Thermistor (Air)	Wired remote control		Connector for optional parts	
R2T	Thermistor (Coil liquid)	R1T	Thermistor (Air)	X8A	Connector (Float switch)
R3T	Thermistor (Coil gas)	SS1	Selector switch (Main/sub)	X18A	Connector (Wiring adapter for electrical appendices)
S1Q	Limit switch (Swing flap)			X23A	Connector (Infrared remote control)

- : Terminal
 - : Connector
 - : Short circuit connector
 - : Field wiring
- COLORS : BLK : Black RED : Red
 BLU : Blue WHT : White
 ORG : Orange YLW : Yellow
 PNK : Pink

NOTES

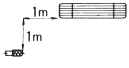
- In case of using centralised remote control, connect it to the unit in accordance with the attached instruction manual.
- X23A is connected when the infrared remote control kit is being used.
- When connecting the input wires from the outside, forced off or on/off control operation can be selected by remote control. In details, refer to the installation manual attached to the unit.
- In case of installing the drain pump, remove the short circuit connector of X8A and execute the additional wiring for float switch and drain pump.
- Use copper conductors only.

3D039801D

10 Sound data

10 - 1 Sound Level Data

FXHQ-MA

Model	Sound pressure level - 220V		Measuring location	Sound power level
	H	L		
FXHQ32MA	36	31		*
FXHQ63MA	39	34		*
FXHQ100MA	45	37		*

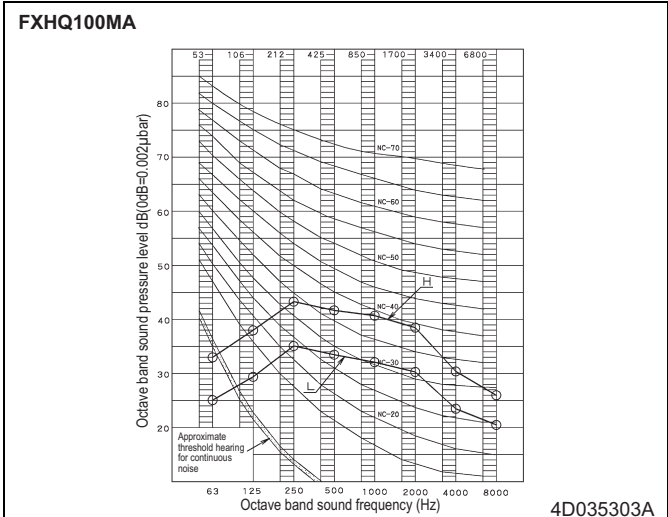
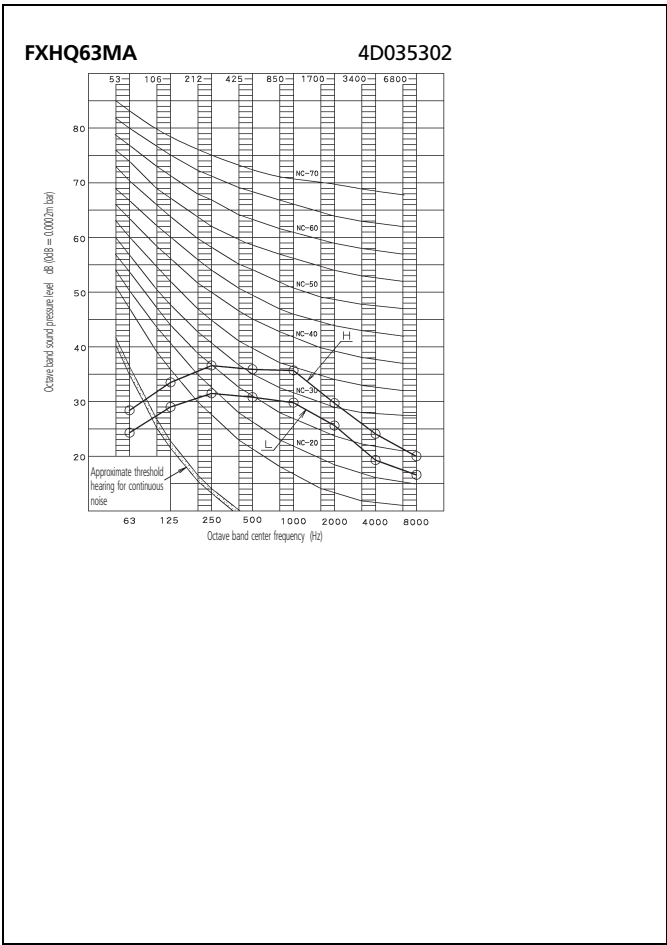
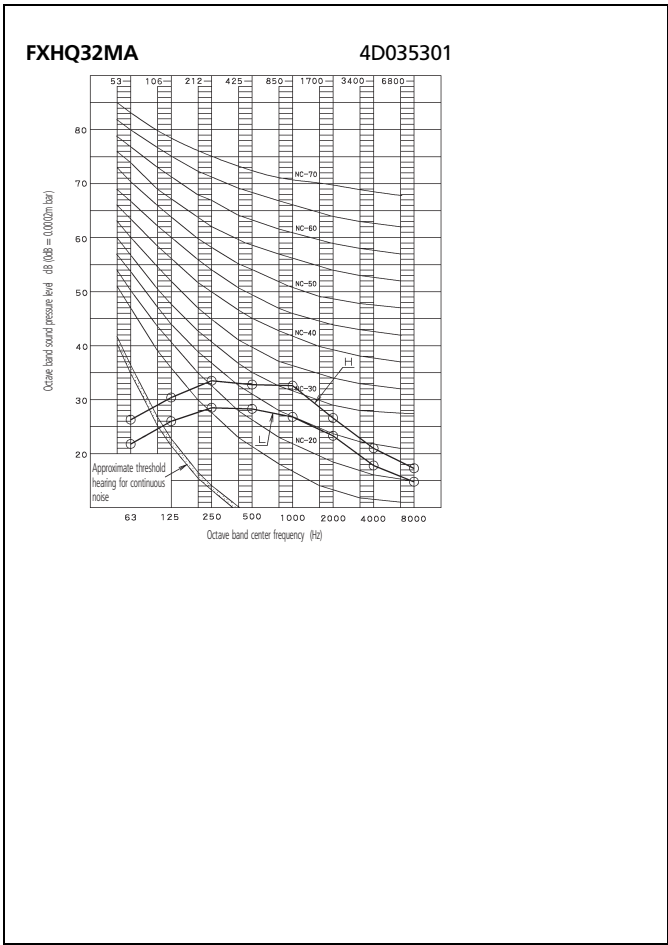
NOTES

- 1 Reference acoustic pressure 0 dB = 0.0002 μ bar.
- 2 Measuring place: anechoic chamber.
- 3 Operating noise differs with operation and ambient conditions.

* Data were not available at time of publication.

10 Sound data

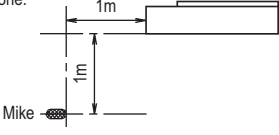
10 - 2 Sound Pressure Spectrum



NOTES

- 1 Over All (dB):
(B,G,N is already rectified)
- 2 Operating conditions:
 - Power source: 220-240/220V 50/60Hz
 - Cooling: Return air temperature: 27°C DB, 19°C WB
Outdoor temperature: 35°C DB, 24°C WD
 - Heating: Return air temperature: 20°C DB, 15°C WB
Outdoor temperature: 7°C DB, 6°C WD
- 3 Measuring place: Anechoic chamber.
- 4 Operation noise differs with operation and ambient conditions.
- 6 Location of microphone.

Scale	Hi	Low
A	45	37
C	47	40

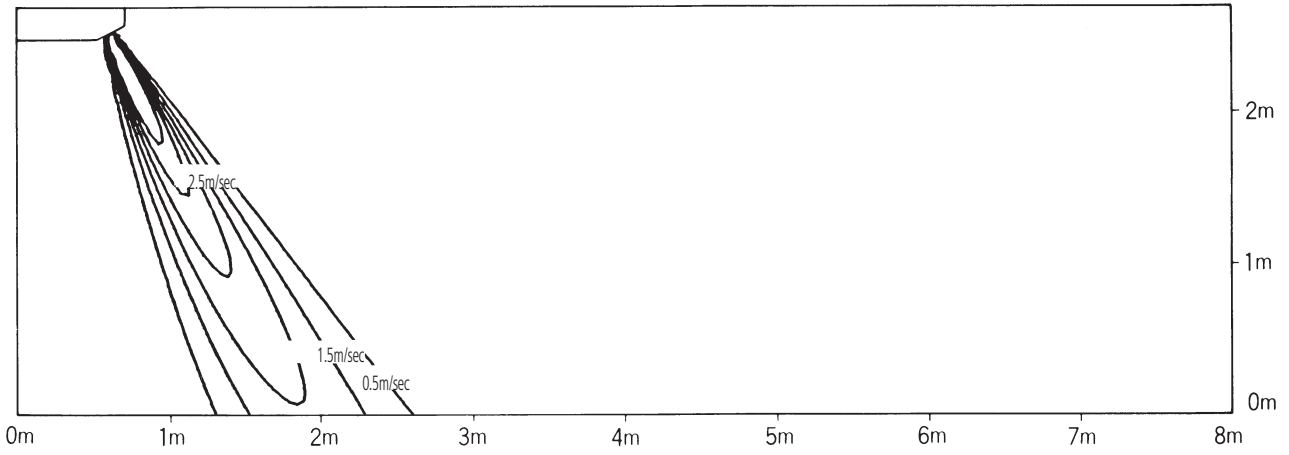


11 Air flow patterns

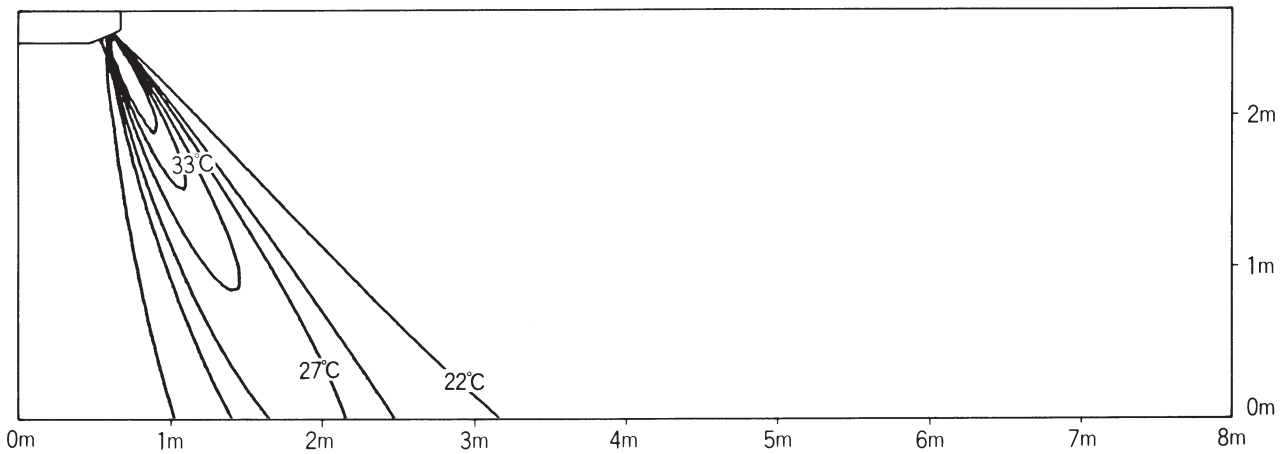
11 - 1 Air Flow Pattern - Cooling

FXHQ100MA

Heating Air velocity distribution
center air blow



Heating Temperature distribution
center air blow



In all of us,
a green heart



Daikin's unique position as a manufacturer of air conditioning equipment, compressors and refrigerants has led to its close involvement in environmental issues. For several years Daikin has had the intention to become a leader in the provision of products that have limited impact on the environment. This challenge demands the eco design and development of a wide range of products and an energy management system, resulting in energy conservation and a reduction of waste.



VRV® products are not within the scope of the Eurovent certification programme.

The present publication is drawn up by way of information only and does not constitute an offer binding upon Daikin Europe N.V. Daikin Europe N.V. has compiled the content of this publication to the best of its knowledge. No express or implied warranty is given for the completeness, accuracy, reliability or fitness for particular purpose of its content and the products and services presented therein. Specifications are subject to change without prior notice. Daikin Europe N.V. explicitly rejects any liability for any direct or indirect damage, in the broadest sense, arising from or related to the use and/or interpretation of this publication. All content is copyrighted by Daikin Europe N.V.

Daikin products are distributed by: