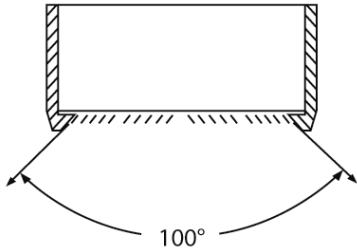


# Ceiling suspended unit

For wide rooms with no false ceilings nor free floor space

- › Ideal for comfortable air flow in wide rooms thanks to Coanda effect: up to 100° discharge angle

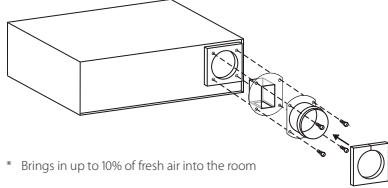


- › Even rooms with ceilings up to 3.8m can be heated up or cooled down very easily without capacity loss
- › Can easily be installed in both new and refurbishment projects
- › Can easily be mounted in corners and narrow spaces, as it only needs 30mm lateral service space



- › Fresh air intake integrated in the same system thus reducing installation cost as no additional ventilation device is required

Fresh air intake opening in casing



\* Brings in up to 10% of fresh air into the room

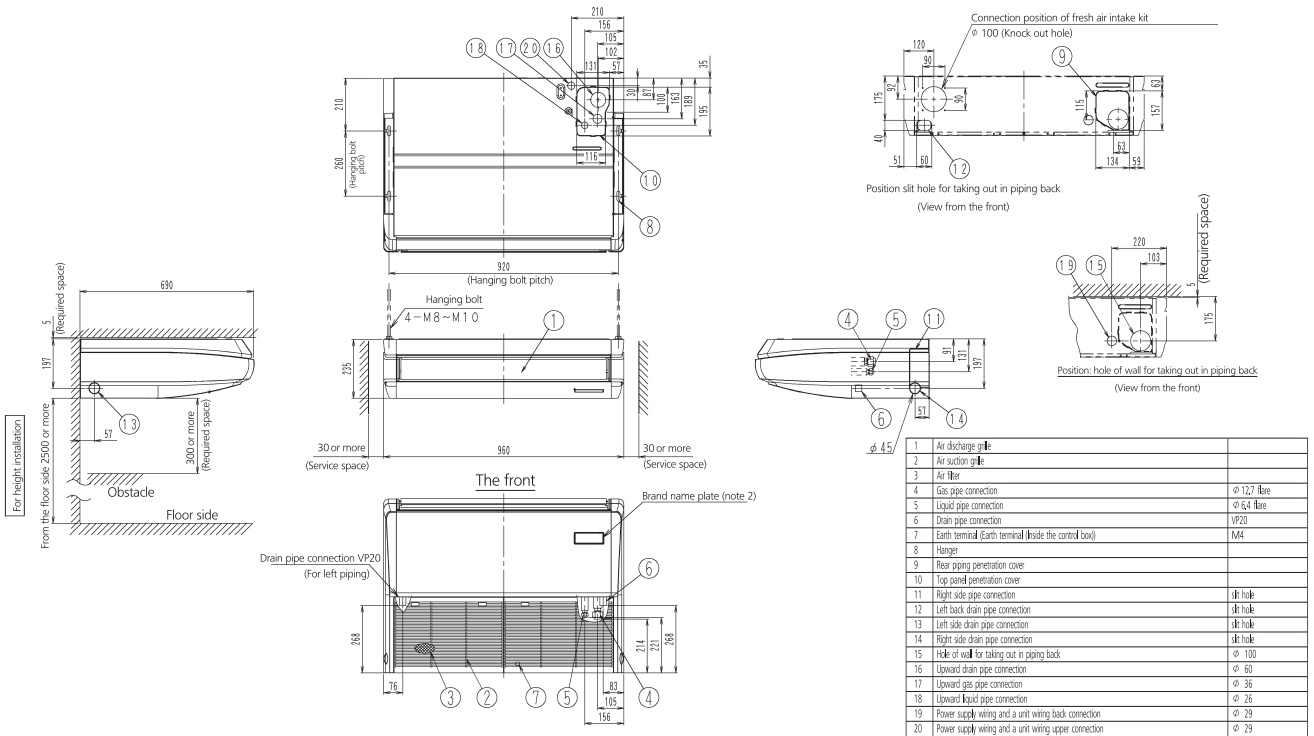


- › Reduced energy consumption thanks to specially developed DC fan motor and drain pump
- › Stylish unit blends easily with any interior. The flaps close entirely when the unit is not operating and there are no air intake grilles visible

Indoor unit		FXHQ	32A	63A	100A	
Cooling capacity	Nom.	kW	3.6	7.1	11.2	
Heating capacity	Nom.	kW	4.0	8.0	12.5	
Power input - 50Hz	Cooling	Nom.	kW	0.107	0.111	0.237
	Heating	Nom.	kW	0.107	0.111	0.237
Dimensions	Unit	Height	mm	235		
		Width	mm	960	1,270	1,590
		Depth	mm		690	
Weight	Unit	kg	24	33	39	
Casing	Colour		Fresh White			
	Material		Resin			
Fan-Air flow rate - 50Hz	Cooling	High/Nom./Low	m <sup>3</sup> /min	14.0/12.0/10.0	20.0/17.0/14.0	29.5/24.0/19.0
	Heating	High/Nom./Low	m <sup>3</sup> /min	14.0/12.0/10.0	20.0/17.0/14.0	29.5/24.0/19.0
Air filter	Type		Resin net with mold resistance			
Sound power level	Cooling	Nom.	dB(A)	-		
Sound pressure level	Cooling	High/Nom./Low	dB(A)	36.0/34.0/31.0	37.0/35.0/34.0	44.0/37.0/34.0
	Heating	High/Nom./Low	dB(A)	36.0/34.0/31.0	37.0/35.0/34.0	44.0/37.0/34.0
Refrigerant	Type		R-410A			
	GWP		2,087.5			
Piping connections	Liquid	OD	mm	6.35	9.52	
	Gas	OD	mm	12.7	15.9	
	Drain			VP20 (I.D. 20/O.D. 26)		
Power supply	Phase/Frequency/Voltage	Hz/V	1~/50/220-240			
Current - 50Hz	Maximum fuse amps (MFA)	A	16			
Control systems	Infrared remote control		BRC7G53			
	Wired remote control		BRC1E52A/B / BRC1D52			
	Simplified wired remote control for hotel applications		BRC2E52C (heat recovery type) / BRC3E52C (heat pump type)			

(1) Contains fluorinated greenhouse gases

## FXHQ32A

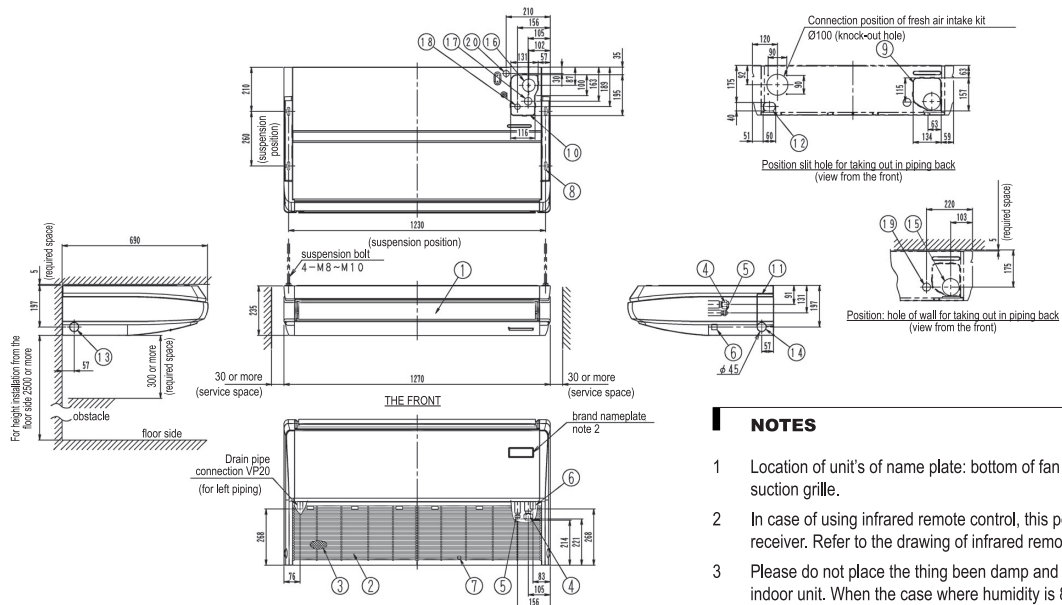


## Note:

1. Location of unit's name plate: bottom of fan housing inside the suction grille.
2. In case of using infrared remote controller, this position will be a signal receiver. Refer to the drawing of infrared remote controller in detail.
3. Please do not place the thing been damp and troubled under an indoor unit. When the case where humidity is 80% or more, and the drain outlet are choked up and the air filter are dirty, dew may fall

3D080029

## FXHQ63A



3D069632A

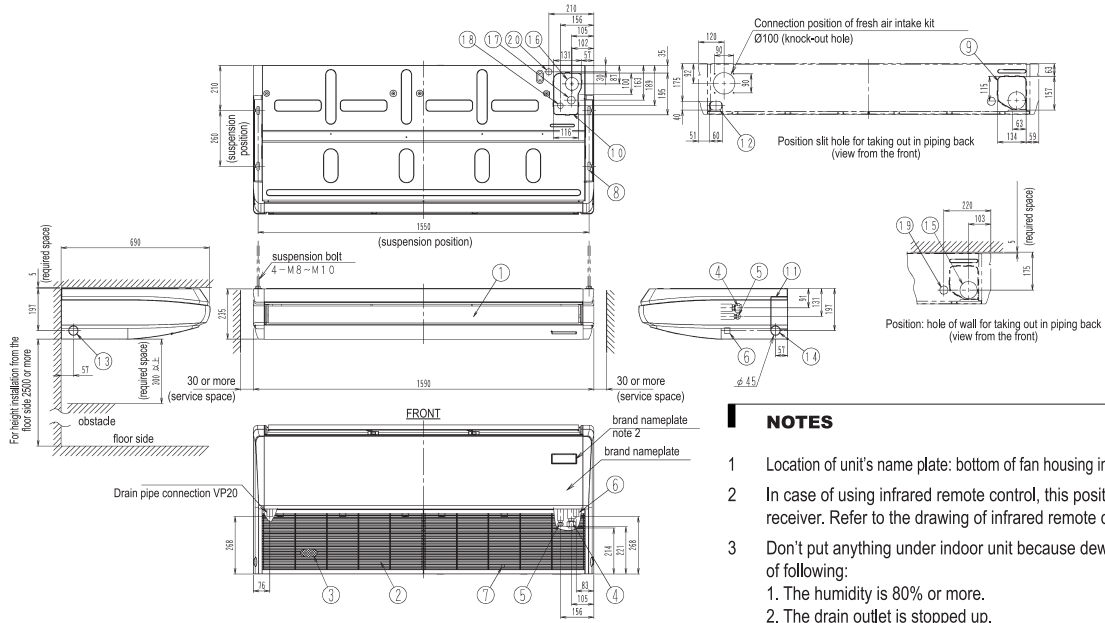
## NOTES

1. Location of unit's name plate: bottom of fan housing inside the suction grille.
2. In case of using infrared remote control, this position will be a signal receiver. Refer to the drawing of infrared remote control in detail.
3. Please do not place the thing been damp and troubled under an indoor unit. When the case where humidity is 80% or more, the drain outlet are choked up and the air filter are dirty, dew may fall.

Nr	Name	Description
1	Air discharge grille	
2	Air suction grille	
3	Air filter	
4	Gas pipe connection	Ø15.9 flare
5	Liquid pipe connection	Ø9.5 flare
6	Drain pipe connection	VP20
7	Earth terminal (inside electric components box)	M4
8	Hanger bracket	
9	Backward piping and wiring connection opening lid	
10	Upward piping and wiring connection opening lid	

11	Right side pipe connection	slit hole
12	Left back drain pipe connection	slit hole
13	Left side drain pipe connection	slit hole
14	Right side drain pipe connection	slit hole
15	Hole of wall for taking out in piping back	Ø100
16	Upward drain pipe connection	Ø60
17	Upward gas pipe connection	Ø36
18	Upward liquid pipe connection	Ø26
19	Power source wiring and a unit wiring back connection	Ø29
20	Power source wiring and a unit wiring upper connection	Ø29

FXHQ100A



3D069633D

NOTES

- 1 Location of unit's name plate: bottom of fan housing inside the suction grille.
- 2 In case of using infrared remote control, this position will be a signal receiver. Refer to the drawing of infrared remote control in detail.
- 3 Don't put anything under indoor unit because dew may fall by reason of following:
  1. The humidity is 80% or more.
  2. The drain outlet is stopped up.
  3. The air filter is dirty.

Nr	Name	Description
1	Air discharge grille	
2	Air suction grille	
3	Air filter	
4	Gas pipe connection	Ø15.9 flare
5	Liquid pipe connection	Ø9.5 flare
6	Drain pipe connection	VP20
7	Earth terminal (inside electric components box)	M4
8	Hanger bracket	
9	Backward piping and wiring connection opening lid	
10	Upward piping and wiring connection opening lid	

11	Right side pipe connection	slit hole
12	Left back drain pipe connection	slit hole
13	Left side drain pipe connection	slit hole
14	Right side drain pipe connection	slit hole
15	Hole of wall for taking out in piping back	Ø100
16	Upward drain pipe connection	Ø60
17	Upward gas pipe connection	Ø36
18	Upward liquid pipe connection	Ø26
19	Power source wiring and a unit wiring back connection	Ø29
20	Power source wiring and a unit wiring upper connection	Ø29