



Air Conditioning Technical Data

4-way blow ceiling suspended unit



EEDEN15-204

FXUQ-A

TABLE OF CONTENTS

FXUQ-A

1	Features	2
2	Specifications	3
	Technical Specifications	3
	Electrical Specifications	4
3	Electrical data	5
4	Safety device settings	6
5	Options	7
6	Capacity tables	8
	Cooling Capacity Tables	8
	Heating Capacity Tables	9
7	Dimensional drawings	10
8	Piping diagrams	11
9	Wiring diagrams	12
	Wiring Diagrams - Single Phase	12
10	Sound data	13
	Sound Pressure Spectrum	13

1 Features

Unique Daikin unit for high rooms with no false ceilings nor free floor space

- Even rooms with ceilings up to 3.5m can be heated up or cooled down very easily without capacity loss
- Can easily be installed in both new and refurbishment projects
- Refurbishing the room? Flexibility to suit every room layout without changing the location of the unit! Via the wired remote controller you can easily control each flap individually and even close the flaps.
- Reduced energy consumption thanks to specially developed small tube heat exchanger, DC fan motor and drain pump
- Stylish unit blends easily with any interior. The flaps close entirely when the unit is not operating
- Optimum comfort guaranteed with automatic air flow adjustment to the required load
- 5 different discharge angles between 0 and 60° can be programmed via the remote control
- Standard drain pump with 500mm lift increases flexibility and installation speed



Inverter



Home leave operation



Fan only



Draught prevention



Auto cooling-heating changeover



Individual flap control



Vertical auto swing



Fan speed steps



Dry programme



Air filter



Weekly timer



Infrared remote control



Wired remote control



Centralised control



Auto-restart



Self diagnosis



Drain pump kit

2 Specifications

2-1 Technical Specifications				FXUQ71A	FXUQ100A	
Cooling capacity	Nom.		kW	8.0	11.2	
Heating capacity	Nom.		kW	9.0	12.5	
Power input - 50Hz	Cooling	Nom.	kW	0.090	0.200	
	Heating	Nom.	kW	0.073	0.179	
Power input - 60Hz	Cooling	Nom.	kW	0.090	0.200	
	Heating	Nom.	kW	0.073	0.179	
Dimensions	Unit	Height	mm	198		
		Width	mm	950		
		Depth	mm	950		
	Packed unit	Height	mm	295		
		Width	mm	1,026		
		Depth	mm	1,016		
Weight	Unit		kg	26	27	
	Packed unit		kg	39		
Casing	Colour			Fresh White		
	Material			Resin		
Heat exchanger	Type			Cross fin coil (multi slit fins and HI-XA tubes)		
	Length		mm	2,413		
	Rows	Quantity		3		
	Fin pitch		mm	1.2		
	Passes	Quantity		10		
	Face area		m ²	0.330		
	Stages	Quantity		10		
	Empty tubeplate hole	Quantity		0		
	Fan	Type			Turbo fan	
		Quantity			1	
Air flow rate - 50Hz		Cooling	High	m ³ /min	22.5	31.0
			Nom.	m ³ /min	19.5	26.0
			Low	m ³ /min	16.0	21.0
		Heating	High	m ³ /min	22.5	31.0
			Nom.	m ³ /min	19.5	26.0
			Low	m ³ /min	16.0	21.0
Fan motor	Model			QTS48D11M		
	Speed	Steps		3		
	Output	High	W	46	106	
Air filter	Type			Resin net with mold resistance		
Sound pressure level	Cooling	High	dBA	40.0	47.0	
		Nom.	dBA	38.0	44.0	
		Low	dBA	36.0	40.0	
	Heating	High	dBA	40.0	47.0	
		Nom.	dBA	38.0	44.0	
		Low	dBA	36.0	40.0	
Refrigerant	Type			R-410A		
Piping connections	Liquid	Type		Flare connection		
		OD	mm	9.52		
	Gas	Type		Flare connection		
		OD	mm	15.9		
	Drain			I.D. 20/O.D. 26		
	Heat insulation			Heat resistant foamed polyethylene, regular foamed polyethylene		
Control systems	Infrared remote control			BRC7C58		
	Simplified wired remote control for hotel applications			-		
	Wired remote control			BRC1E52A/B / BRC1D52		

Standard Accessories : Operation manual;

Standard Accessories : Installation manual;

Standard Accessories : Declaration of conformity;

Standard Accessories : Drain hose;

Standard Accessories : Clamp metal;

2 Specifications

- Standard Accessories : Washer for hanger bracket;
- Standard Accessories : Clamps;
- Standard Accessories : Washer clamp;
- Standard Accessories : Joint insulating material;
- Standard Accessories : Sealing material;
- Standard Accessories : Elbow;
- Standard Accessories : Installation pattern;
- Standard Accessories : Blocking material;
- Standard Accessories : L-bent piping;
- Standard Accessories : Screws;
- Standard Accessories : Non woven fabric;

2

2-2 Electrical Specifications			FXUQ71A	FXUQ100A
Power supply	Phase		1~	
	Frequency	Hz	50/60	
	Voltage	V	220-240/220-230	
Voltage range	Min.	%	10	
	Max.	%	10	
Current - 50Hz	Minimum circuit amps (MCA)		0.6	1.4
	Maximum fuse amps (MFA)		16	
	Full load amps (FLA)	Fan motor	0.5	1.1
Current - 60Hz	Minimum circuit amps (MCA)		0.6	1.4
	Maximum fuse amps (MFA)		16	
	Full load amps (FLA)	Fan motor	0.5	1.1

Notes

Voltage range: units are suitable for use on electrical systems where voltage supplied to unit terminal is not below or above listed range limits.

Maximum allowable voltage range variation between phases is 2%.

MCA/MFA: $MCA = 1.25 \times FLA$

$MFA \leq 4 \times FLA$

Next lower standard fuse rating minimum 16A

Select wire size based on the value of MCA

Instead of a fuse, use a circuit breaker

3 Electrical data

3 - 1 Electrical Data

FXUQ-A

Units				Power supply		IFM		Input (W)	
Model	Hz	Volts	Voltage range	MCA	MFA	kW	FLA	Cooling	Heating
FXUQ71AVEB	50	220-240	Max. 264	0.6	16	0.046	0.5	90	73
FXUQ100AVEB	60	220-230	Min. 198	1.4	16	0.106	1.1	200	179

NOTES

- Voltage range
Units are suitable for use on electrical systems where voltage supplied to the unit terminals is not below or above listed range limits.
- Maximum allowable voltage unbalance between phases is 2%.
- MCA/MFA
MCA=1.25xFLA
MFA≤4xFLA
(next lower standard fuse rating, min.16A)
- Select wiring size based on the MCA.
- Instead of a fuse, use Circuit Breaker.

Minimum Ssc value	kVA	EN61000-3-2 is applied.
-------------------	-----	-------------------------

SYMBOLS

- MCA : Min. Circuit Amps (A)
- MFA : Max. Fuse Amps (See note 5)
- kW : Fan Motor Rated Output (kW)
- FLA : Full Load Amps (A)
- IFM : Indoor Fan Motor

4D080216A

4 Safety device settings

4 - 1 Safety Device Settings

FXUQ-A

	Safety devices		71	100
	Fuse		250V 3.15A	250V 3.15A
FXUQ~A	Fan motor thermal fuse	°C	---	---
	Fan motor thermal protector	°C	---	---

4D013856M

5 Options

5 - 1 Options

FXUQ-A

Name of option	Remark	FXUQ-AVEB	
		71	100
Sealing member of air discharge outlet			KDBHP49B140
Decoration panel for air discharge			KDBTP49B140
Replacement long-life filter			KAFP551K160
Remote control	Wired type	BRC1D528, BRC1E51A7, BRC1E52A7, BRC1E52B7, (BRC1E61)	
	Infrared type	Heat pump use	BRC7CB58
		Cooling only use	BRC7CB59
Simplified remote control (with operation mode selector button)			BRC2E52C7 (note 3)
Simplified remote control (without operation mode selector button)			BRC3E52C7 (note 3)
Central remote control			DCS302CA51, (DCS302CA61)
Unified on/off controller			DCS301BA51, (DCS301BA61)
Schedule timer			DST301BA51, (DST301BA61)
Wiring adapter for electrical appendices			KRP4AA53 (note 1)
Installation box for adapter PCB			KRP1BA97
Remote sensor			KRCS01-4B
Connector for forced on, forced off			EKRORO5
Electrical box with earth terminal (3 blocks)			KJB311AA
Electrical box with earth terminal (2 blocks)			KJB212AA
Digital input adapter			BRP7A53 (note 1, 4)

NOTES

1. Installation box for adapter PCB (KRP1BA97) is necessary.
2. Kit name in () is for general overseas.
3. Included languages are:
 Language pack 1: English, German, French, Dutch, Spanish, Italian and Portuguese.
 With PC cable EKPCAB3 in combination with the Updater PC software, you can additionally change the language to:
 Language pack 2: English, Bulgarian, Croatian, Czech, Hungarian, Romanian and Slovenian.
 Language pack 3: English, Greek, Polish, Russian, Serbian, Slovak and Turkish.
4. Only possible in combination with simplified remote control BRC2/3E52C7.

3D080116A

6 Capacity tables

6 - 1 Cooling Capacity Tables

FXUQ-A

Cooling Capacity

TC: Total capacity; kW
SHC: Sensible heat capacity; kW

Unit size	Indoor air temp.													
	14.0 °CWB		16.0 °CWB		18.0 °CWB		19.0 °CWB		20.0 °CWB		22.0 °CWB		24.0 °CWB	
	20 °CDB		23 °CDB		26 °CDB		27 °CDB		28 °CDB		30 °CDB		32 °CDB	
	TC	SHC	TC	SHC	TC	SHC	TC	SHC	TC	SHC	TC	SHC	TC	SHC
71	5.4	4.6	6.4	5.2	7.5	5.9	8.0	6.0	8.4	6.1	8.6	5.9	8.8	5.8
100	7.6	6.1	9.0	7.0	10.5	7.9	11.2	8.1	11.3	7.9	11.6	7.7	11.9	7.4

NOTES - OPMERKINGEN - REMARQUES - ANMERKUNGEN - NOTAS - NOTE - ΣΗΜΕΙΩΣΕΙΣ - NOTLAR - ПРИМЕЧАНИЯ

- This table is for the selection of indoor equipment.
 - Deze tabel is bedoeld voor het kiezen van de binnenunit.
 - Ce tableau concerne la sélection de l'équipement intérieur.
 - Diese Tabelle ist für die Auswahl der Innenanlagen.
 - Esta tabla es para seleccionar el equipo interior.
 - Usare questa tabella per la selezione delle apparecchiature interne.
 - Αυτός ο πίνακας προορίζεται για την επιλογή εσωτερικού εξοπλισμού.
 - Bu tablo iç ünite ekipmanlarının seçimine yöneliktir.
 - Эта таблица предназначена для выбора устанавливаемого в помещении оборудования.
- In the event that conditions differ due to the design requirements after system selection, actual operating ability of the indoor equipment will differ from that noted in the table because of changes in the outdoor air temperature and load factor.
 - Als nadat u het systeem hebt gekozen de voorwaarden afwijken van de ontwerpvereisten, dan zal het reële bedrijfsvermogen van de binnenunit afwijken van de in de tabel vermelde gegevens, wegens de afwijkende buitenluchttemperatuur en de belastingsfactor.
 - Si les exigences de conception après la sélection du système entraînent une modification des conditions, les capacités opérationnelles réelles de l'équipement intérieur diffèrent de celles indiquées dans le tableau en raison de la modification de la température de l'air extérieure et du facteur de charge.
 - Falls Bedingungen aufgrund der Konstruktionsanforderungen nach der Systemauswahl abweichen, dann weicht aufgrund der Änderungen der Außenlufttemperatur und des Lastfaktors die tatsächliche Betriebsfähigkeit der Innenanlage von der in der Tabelle aufgeführten ab.
 - En caso de que las condiciones difieran debido a los requisitos de diseño tras seleccionar el sistema, la capacidad de funcionamiento real del equipo interior diferirá de la que se muestra en la tabla debido a los cambios de la temperatura de aire exterior y al factor de carga.
 - Nel caso in cui intervenissero dei cambiamenti nelle condizioni dovuti a requisiti di progettazione successivi alla selezione del sistema, la capacità operativa effettiva delle apparecchiature interne sarà diversa da quella indicata in tabella a causa della diversa temperatura dell'aria esterna e del fattore di carico.
 - Στην περίπτωση που οι συνθήκες διαφέρουν λόγω των απαιτήσεων σχεδιασμού μετά την επιλογή συστήματος, η πραγματική δυνατότητα του εσωτερικού εξοπλισμού θα διαφέρει από την αναφερόμενη στον πίνακα, λόγω των αλλαγών στην εξωτερική θερμοκρασία αέρα και στο συντελεστή φορτίου.
 - Sistem seçiminin sonra tasarım gerekleri nedeniyle koşulların değişmesi durumunda, dış hava sıcaklığı ve yük faktöründeki değişiklikler nedeniyle iç ekipman gerçek çalışma kapasitesi tabloda belirtilenden farklı olacaktır.
 - В случае, если реальные условия отличаются от проектных условий работы, используемых при выборе системы, фактические характеристики устанавливаемого в помещении оборудования будут отличаться от указанных в таблице вследствие изменения температуры воздуха снаружи и показателя нагрузки.
- In this case, use the ability table for the indoor equipment selected and correct for the ratio of change in ability.
 - Gebruik in dat geval de vermogenstabel van de gekozen binneninstallatie en kies het juiste vermogen.
 - Le cas échéant, utiliser le tableau de capacité de l'équipement intérieur sélectionner et corriger le rapport de modification de capacité.
 - Verwenden Sie in diesem Fall die Fähigkeit für die ausgewählte Innenanlage und korrigieren Sie das Verhältnis der Änderung in der Fähigkeit.
 - En este caso, utilice la tabla de capacidades del equipo interior seleccionado y corrija la relación de cambio en capacidad.
 - In questo caso, usare la tabella delle capacità per le apparecchiature interne selezionate ed apportare le modifiche del caso in base alla percentuale di cambiamento di capacità.
 - Σε αυτή την περίπτωση χρησιμοποιήστε τον πίνακα δυνατοτήτων για τον επιλεγμένο εσωτερικό εξοπλισμό και διορθώστε για την αναλογία αλλαγής στη δυνατότητα.
 - Bu durumda, seçilen iç ekipman için kapasite tablosunu kullanın ve kapasitedeki değişim oranına göre düzeltme yapın.
 - В этом случае используйте таблицу характеристик выбранного устанавливаемого в помещении оборудования и внесите необходимую поправку на их изменение.

6 Capacity tables

6 - 2 Heating Capacity Tables

FXUQ-A

Heating Capacity

Unit size	Indoor air temp. °CDB					
	16.0	18.0	20.0	21.0	22.0	24.0
	kW	kW	kW	kW	kW	kW
71	9.5	9.4	9.0	8.7	8.4	7.9
100	13.1	13.1	12.5	12.1	11.7	10.9

NOTES - OPMERKINGEN - REMARQUES - ANMERKUNGEN - NOTAS - NOTE - ΣΗΜΕΙΩΣΕΙΣ - NOTLAR - ПРИМЕЧАНИЯ

- This table is for the selection of indoor equipment.
 - Deze tabel is bedoeld voor het kiezen van de binnenunit.
 - Ce tableau concerne la sélection de l'équipement intérieur.
 - Diese Tabelle ist für die Auswahl der Innenanlagen.
 - Esta tabla es para seleccionar el equipo interior.
 - Usare questa tabella per la selezione delle apparecchiature interne.
 - Αυτός ο πίνακας προορίζεται για την επιλογή εσωτερικού εξοπλισμού.
 - Bu tablo iç ünite ekipmanlarının seçimine yöneliktir.
 - Эта таблица предназначена для выбора устанавливаемого в помещении оборудования.
- In the event that conditions differ due to the design requirements after system selection, actual operating ability of the indoor equipment will differ from that noted in the table because of changes in the outdoor air temperature and load factor.
 - Als nadat u het systeem hebt gekozen de voorwaarden afwijken van de ontwerpvereisten, dan zal het reële bedrijfsvermogen van de binnenunit afwijken van de in de tabel vermelde gegevens, wegens de afwijkende buitenluchttemperatuur en de belastingsfactor.
 - Si les exigences de conception après la sélection du système entraînent une modification des conditions, les capacités opérationnelles réelles de l'équipement intérieur diffèrent de celles indiquées dans le tableau en raison de la modification de la température de l'air extérieure et du facteur de charge.
 - Falls Bedingungen aufgrund der Konstruktionsanforderungen nach der Systemauswahl abweichen, dann weicht aufgrund der Änderungen der Außenlufttemperatur und des Lastfaktors die tatsächliche Betriebsfähigkeit der Innenanlage von der in der Tabelle aufgeführten ab.
 - En caso de que las condiciones difieran debido a los requisitos de diseño tras seleccionar el sistema, la capacidad de funcionamiento real del equipo interior diferirá de la que se muestra en la tabla debido a los cambios de la temperatura de aire exterior y al factor de carga.
 - Nel caso in cui intervenissero dei cambiamenti nelle condizioni dovuti a requisiti di progettazione successivi alla selezione del sistema, la capacità operativa effettiva delle apparecchiature interne sarà diversa da quella indicata in tabella a causa della diversa temperatura dell'aria esterna e del fattore di carico.
 - Στην περίπτωση που οι συνθήκες διαφέρουν λόγω των απαιτήσεων σχεδιασμού μετά την επιλογή συστήματος, η πραγματική δυνατότητα του εσωτερικού εξοπλισμού θα διαφέρει από την αναφερόμενη στον πίνακα, λόγω των αλλαγών στην εξωτερική θερμοκρασία αέρα και στο συντελεστή φορτίου.
 - Sistem seçiminin sonra tasarım gerekleri nedeniyle koşulların değişmesi durumunda, dış hava sıcaklığı ve yük faktöründeki değişiklikler nedeniyle iç ekipmanın gerçek çalışma kapasitesi tabloda belirtilenden farklı olacaktır.
 - В случае, если реальные условия отличаются от проектных условий работы, используемых при выборе системы, фактические характеристики устанавливаемого в помещении оборудования будут отличаться от указанных в таблице вследствие изменения температуры воздуха снаружи и показателя нагрузки.
- In this case, use the ability table for the indoor equipment selected and correct for the ratio of change in ability.
 - Gebruik in dat geval de vermogenstabel van de gekozen binneninstallatie en kies het juiste vermogen.
 - Le cas échéant, utiliser le tableau de capacité de l'équipement intérieur sélectionner et corriger le rapport de modification de capacité.
 - Verwenden Sie in diesem Fall die Fähigkeit für die ausgewählte Innenanlage und korrigieren Sie das Verhältnis der Änderung in der Fähigkeit.
 - En este caso, utilice la tabla de capacidades del equipo interior seleccionado y corrija la relación de cambio en capacidad.
 - In questo caso, usare la tabella delle capacità per le apparecchiature interne selezionate ed apportare le modifiche del caso in base alla percentuale di cambiamento di capacità.
 - Σε αυτή την περίπτωση χρησιμοποιήστε τον πίνακα δυνατοτήτων για τον επιλεγμένο εσωτερικό εξοπλισμό και διορθώστε για την αναλογία αλλαγής στη δυνατότητα.
 - Bu durumda, seçilen iç ekipman için kapasite tablosunu kullanın ve kapasitedeki değişim oranına göre düzeltilme yapın.
 - В этом случае используйте таблицу характеристик выбранного устанавливаемого в помещении оборудования и внесите необходимую поправку на их изменение.

7 Dimensional drawings

7 - 1 Dimensional Drawings

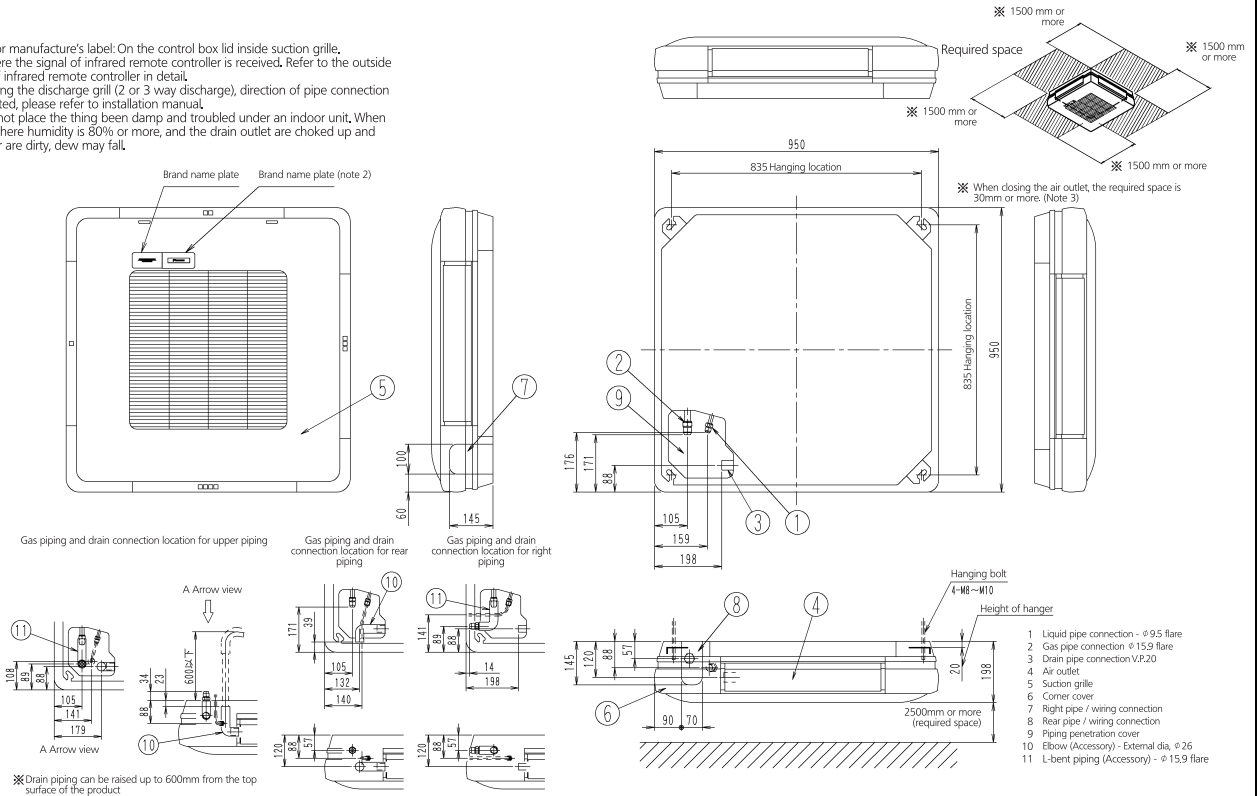
7

FXUQ-A

Note:

1. Location for manufacture's label: On the control box lid inside suction grille.
2. This is where the signal of infrared remote controller is received. Refer to the outside drawing of infrared remote controller in detail.
3. When closing the discharge grill (2 or 3 way discharge), direction of pipe connection will be limited, please refer to installation manual.
4. Please do not place the thing been damp and troubled under an indoor unit. When the case where humidity is 80% or more, and the drain outlet are choked up and the air filter are dirty, dew may fall.

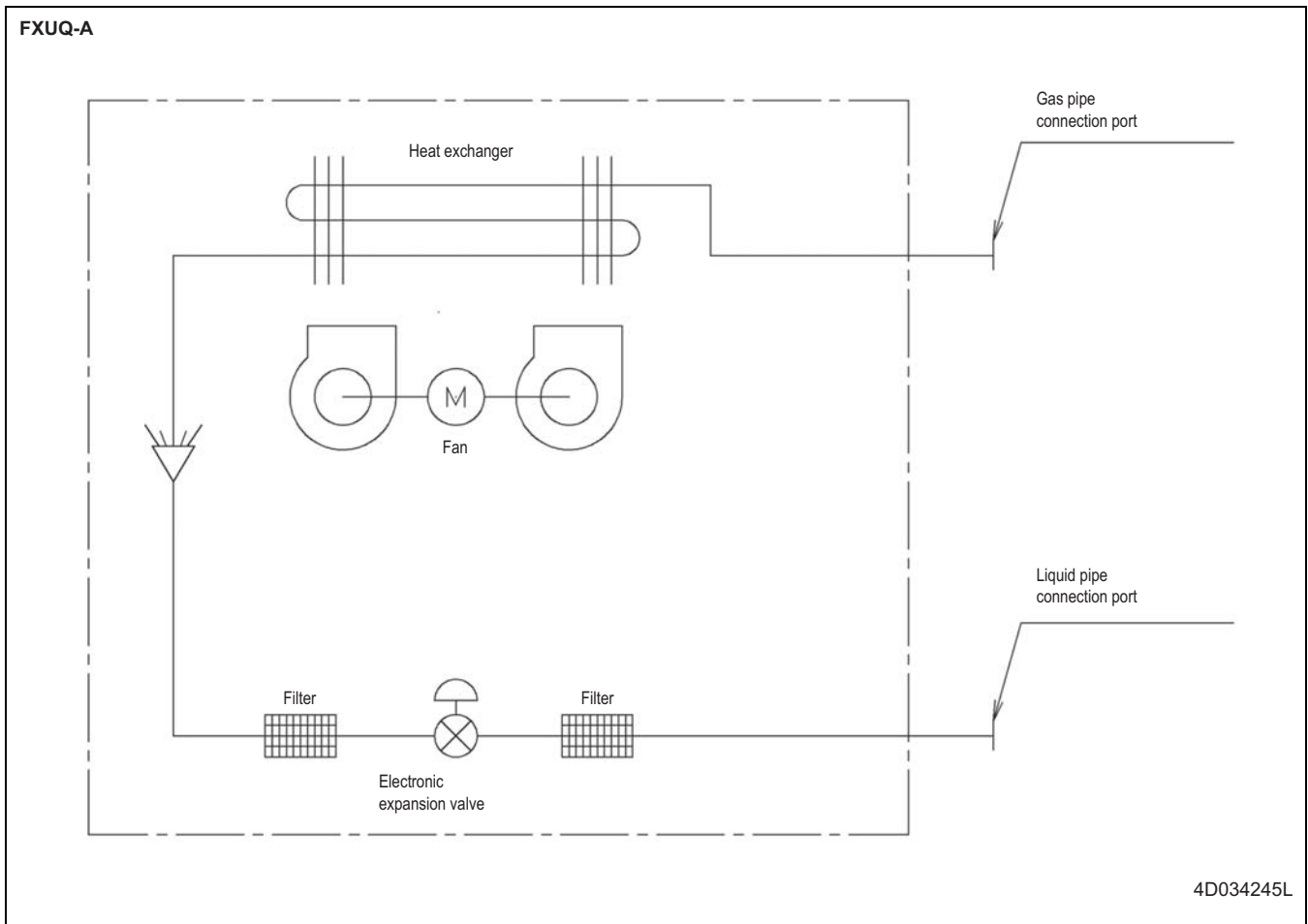
(Unit: mm)



3D080135

8 Piping diagrams

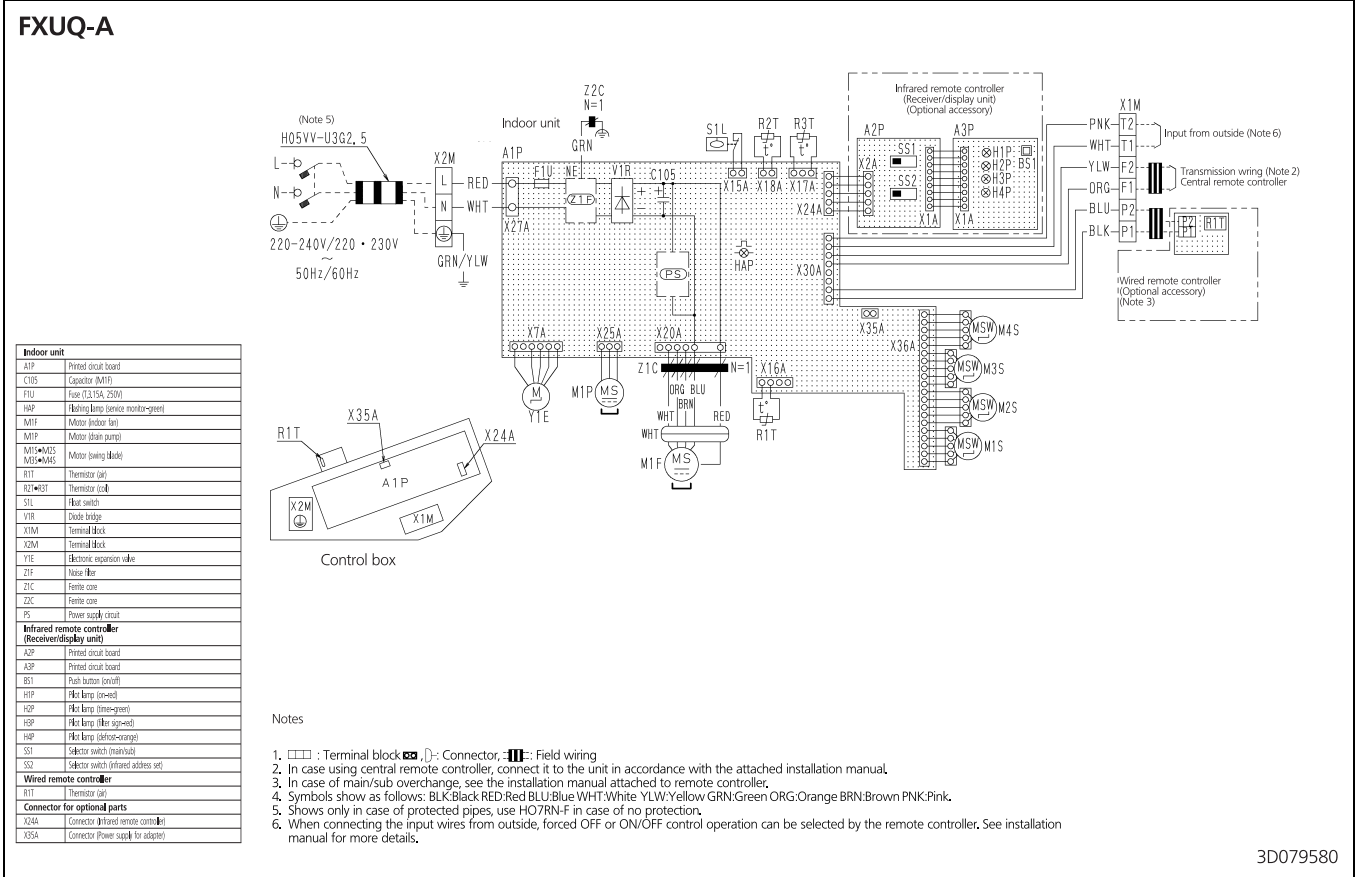
8 - 1 Piping Diagrams



9 Wiring diagrams

9 - 1 Wiring Diagrams - Single Phase

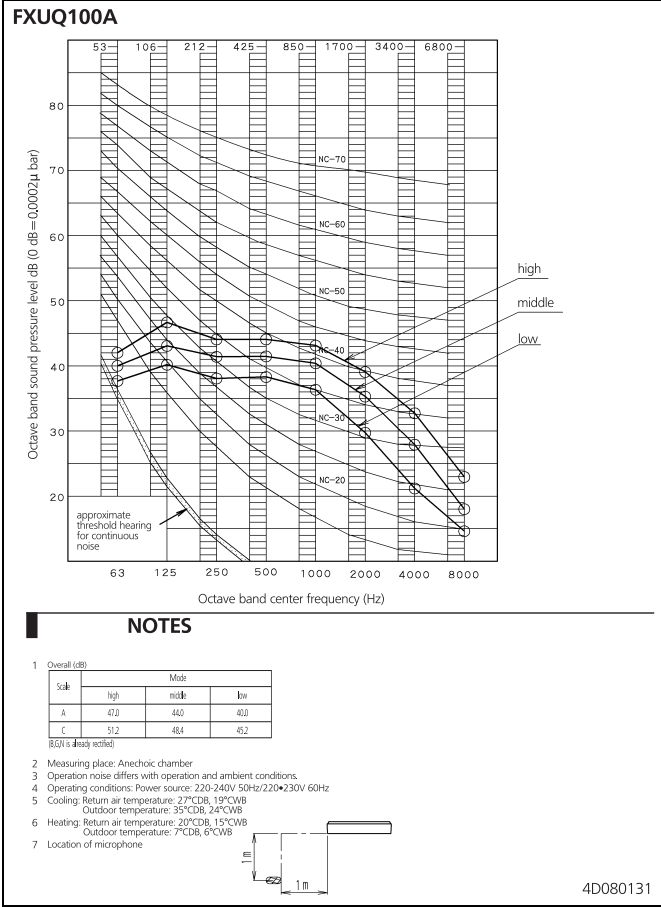
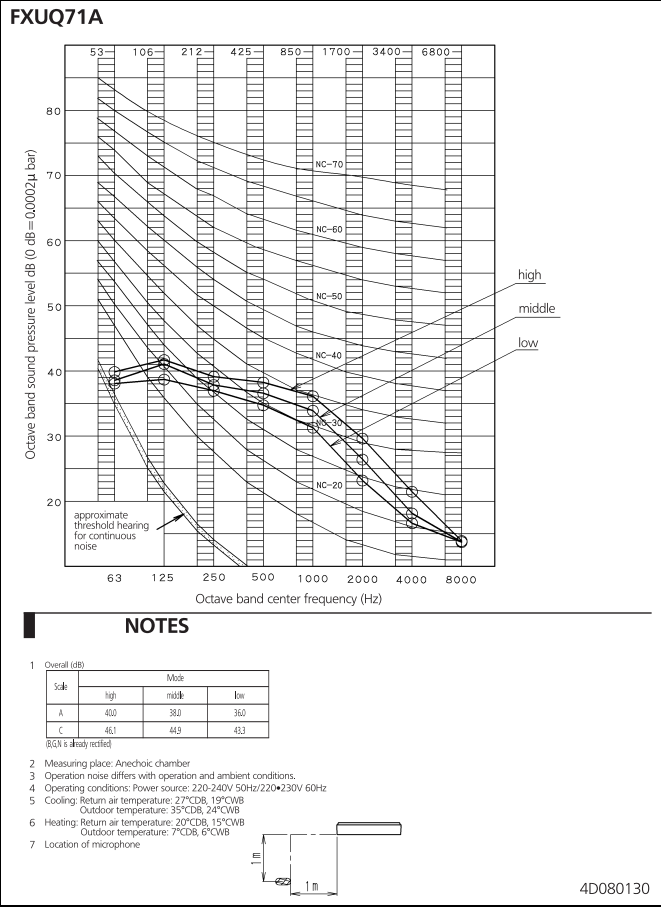
9



3D079580

10 Sound data

10 - 1 Sound Pressure Spectrum





These products are not within the scope of the Eurovent certification program

The present leaflet is drawn up by way of information only and does not constitute an offer binding upon Daikin Europe N.V.. Daikin Europe N.V. has compiled the content of this leaflet to the best of its knowledge. No express or implied warranty is given for the completeness, accuracy, reliability or fitness for particular purpose of its content and the products and services presented therein. Specifications are subject to change without prior notice. Daikin Europe N.V. explicitly rejects any liability for any direct or indirect damage, in the broadest sense, arising from or related to the use and/or interpretation of this leaflet. All content is copyrighted by Daikin Europe N.V.

BARCODE

Daikin products are distributed by: